

Product Catalog

Architectural & Industrial Grating Solutions



OHIO GRATINGS, INC

INDUSTRIAL GRATING SOLUTIONS

Light Duty Steel Grating

Ohio Gratings offers a wide variety of light duty steel grating styles including electro forge welded, dove tail pressure locked, riveted and swaged...



Organic Tech. OH - Lt. Duty

Electro forge welded grating is the more traditional industrial product while dove tail pressure locked, riveted and swaged offer smoother lines and a more pleasing appearance than the typical welded grating. These products appeal to the architectural market and

offer a different look that can be used not only for industrial applications but also commercial applications where a higher profile product might be desired. The dove tail and swaged products are also part of our **Grater Access**® line of products conforming to ADA standards.

Aluminum Plank

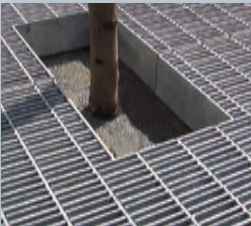
Aluminum plank is a very versatile product. It is available unpunched or in a variety of punch patterns. Slip resistant surfaces are also available. Aluminum plank is ideal for multiple industrial applications, everything from wastewater treatment plants to ADA compliant walkways (shown right) and platforms.



Grosse Ile Bridge, MI - Aluminum Plank Walkway

Heavy Duty Steel Grating

*Welded carbon heavy duty steel grating is the most popular choice where high strength is the primary grating requirement. Another option that meets ADA standards is **Wheels n' Heels**®...*



Tree grate - Wheels n' Heels

The main bars are slotted and assembled with cross bars which are welded with one fillet weld at every joint. Stainless steel can also be provided for those high corrosive applications. This product meets the demanding vehicle loading requirements

of AASHTO and is geared to handle heavy rolling loads. Slip resistant surfaces are available.

The typical markets for heavy duty steel grating include: ramps, docks, industrial flooring, industrial cover trenches, airfield ramps & trenches, airplane landing mats, machinery support trenches, bridge decking, bridge sidewalks, bridge trenches and many more applications.



▲ Grosse Ile Bridge in Michigan - Heavy Duty Riveted

THE OHIO GRATINGS STORY



OGi has rallied around one key principle over the years
...***"Make it Right & Ship When Promised"***



OGi HOME OFFICE IN CANTON, OH ▲

Since 1970, our motto has allowed us to expand successfully over the years. OGi began as a light duty steel grating fabricator and expanded into the manufacturing of heavy duty welded steel and stainless steel grating. That early success led to other expansions including the manufacturing of aluminum swaged and dovetail bar grating. A few years later we added aluminum plank to our line of flooring products and then finally fiberglass to round out our product offerings.

This experience has led us into other markets in addition to the traditional industrial flooring market. OGi now has the ability to provide a myriad of aluminum and steel architectural products to the marketplace. Our manufacturing capabilities and engineering know-how allow us to work with owners, suppliers, architectural and engineering firms.



Our special support team can help you meet all your unique design requirements, quickly and professionally...

- ▶ **Detailing Support** - Working from customer supplied drawings, our detailing group provides professional detailed shop drawings to insure a successful grating project.
- ▶ **Value Engineering** - Our on-staff engineers & detailers check & double check all the calculations to make sure the grating for your project meets or exceeds your structural expectations.
- ▶ **Custom Fabrication** - All types of custom fabrication are required on industrial projects. OGi has built grating panels and fabricated these projects for well over 25 years. Typical fabrication consists of straight cut, straight band, circular cut, circular band, end band, toe plate attachment and adding checker plate to the top of the grating.
- ▶ **Design & Custom Layout** - Our sales and detailing department can help with the grating design and layout to optimize and value engineer the grating on any type of project. We provide solutions, not just grating. Call today to let us help with your next opportunity.



INTERSTATE GRATINGS, UT ▲



RIDGELAND, SC ▲



▲ HOUSTON, TX

Our expansions in South Carolina, Utah and Texas demonstrate our commitment to service...

All three facilities are strategically located to help us reach beyond the midwest and provide faster service to all of our current and future customers throughout the U.S.

All of our products are manufactured in the United States.

TABLE OF CONTENTS

GENERAL INFORMATION

Industrial Grating Solutions	2
Ohio Gratings Story	3
Table of Contents	4

ALUMINUM GRATING

Aluminum Features & Benefits	5
Aluminum Products	6
Aluminum Design Criteria	7
SG Series - Aluminum Rectangular Bar	8
SGI Series - Aluminum I-Bar	9
SGF Series - Aluminum Flush Top	10
ADT Series - Aluminum Dove Tail	11
19-Space Aluminum Profiles & Load Tables	12-13
15-Space Aluminum Profiles & Load Tables	14-15
11-Space Aluminum Profiles & Load Tables	16-17
7-Space Aluminum Profiles & Load Tables	18-19
SGLi Series - Aluminum LiteBar	20
19 & 15-Space Aluminum LiteBar Load Tables	21
11 & 7-Space Aluminum LiteBar Load Tables	22
AR Series - Aluminum Riveted	23
18-Space Aluminum Riveted Profiles & Load Tables	24
12-Space Aluminum Riveted Profiles & Load Tables	25
Aluminum Plank	26-27
Aluminum Plank Punch Pattern	27-28
Aluminum Plank Fabrication	28
Aluminum Plank Load Tables	28-29
Aluminum Plank F Treads	30
Aluminum Plank Applications	31
Aluminum Grating Frames	32-33

STAIR TREADS

Stair Tread Features & Benefits	34
Aluminum & Steel Stair Tread Details	35
Aluminum Stair Tread Profiles & Load Tables	36
Steel Stair Tread Profiles & Load Tables	37

LIGHT DUTY STEEL GRATING

Light Duty Steel Features & Benefits	38
Light Duty Steel Products	39
Light Duty Steel Design Criteria	40
W Series - Light Duty Welded Steel	41
DT Series - Steel Dove Tail	42
SGCS Series - Swaged Carbon Steel	43
19-Space Light Duty W, DT & SGCS Series Profiles & Load Tables	44-45
15-Space Light Duty W, DT & SGCS Series Profiles & Load Tables	46-47
11-Space Light Duty W, DT & SGCS Series Profiles & Load Tables	48-49
7-Space Light Duty W, DT & SGCS Series Profiles & Load Tables	50-51
R Series - Light Duty Riveted Steel	52
18-Space Light Duty R Series Profiles & Load Tables	53
12-Space Light Duty R Series Profiles & Load Tables	54
Light Duty MBG PressLock	55
MBG PressLock Construction	56
Technical Data	57
Fasteners & Profiles	58

MBG PressLock Applications & Load Tables	59-60
--	-------

STAINLESS STEEL

SGSS Series - Swaged Stainless Steel	61
19-Space Stainless Steel SGSS Series Profiles & Load Tables	62
15-Space Stainless Steel SGSS Series Profiles & Load Tables	63
11-Space Stainless Steel SGSS Series Profiles & Load Tables	64
7-Space Stainless Steel SGSS Series Profiles & Load Tables	65

HEAVY DUTY STEEL GRATING

Heavy Duty Steel Features & Benefits	66
Heavy Duty Steel Products	67
Heavy Duty Steel Design Criteria	68
W Series - Heavy Duty Steel	69
38-Space Heavy Duty W Series Profiles & Load Tables	70-71
30-Space Heavy Duty W Series Profiles & Load Tables	72-73
22-Space Heavy Duty W Series Profiles & Load Tables	74-75
19-Space Heavy Duty W Series Profiles & Load Tables	76-77
15-Space Heavy Duty W Series Profiles & Load Tables	78-79
Steel Grating Frames	80
Wheels n' Heels Short & Long Span Heavy Duty Steel	81
8-Space Wheels n' Heels Short Span Profiles & Load Tables	82
12-Space Wheels n' Heels Short Span Profiles & Load Tables	83
15-Space Wheels n' Heels Long Span Profiles & Load Tables	84
23-Space Wheels n' Heels Long Span Profiles & Load Tables	85
Wheels n' Heels Metro Heavy Duty Steel	86
28-WH-4 Wheels n' Heels Metro Profiles & Load Tables	87
33-WH-4 Wheels n' Heels Metro Profiles & Load Tables	88
42-WH-4 Wheels n' Heels Metro Profiles & Load Tables	89
44-WH-4 Wheels n' Heels Metro Profiles & Load Tables	90
Wheels n' Heels InVent Heavy Duty Steel	91
64-7-WH-63 1/8" Wheels n' Heels InVent Profiles & Load Tables	92
64-7-WH-63 3/16" Wheels n' Heels InVent Profiles & Load Tables	93
64-10-WH-60 1/8" Wheels n' Heels InVent Profiles & Load Tables	94
64-11-WH-66 3/16" Wheels n' Heels InVent Profiles & Load Tables	95
R Series - Heavy Duty Riveted Steel	96
37-Space Heavy Duty R Series Profiles & Load Tables	97

FABRICATION

Anchoring Devices	98
Standard Practices	99
Specification Information	100
ADA Guidelines	101
Nomenclature & Vocabulary	102
Pressure Locked Grating	103
Custom Fabrication	104-106
Standard Installation Clearances	107
Grating Tolerances	108-109
Welding Standards	110-111

RESOURCES

Glossary	112-113
Ordering Information	114
Architectural Metal Solutions	115

ALUMINUM FEATURES & BENEFITS

Aluminum Provides a Unique Combination of Properties

...which makes it one of the most versatile engineering and construction materials available today!!

As a natural resource, aluminum is our most abundant metallic element. Its light weight mass (about a third the weight of copper or steel), unmatched strength-to-weight ratio and excellent corrosion resistance under the majority of service conditions makes it an excellent material for the manufacturing of bar grating.

Aluminum can be recycled and as a result, makes it an environmentally friendly material unlike some other grating material. Aluminum is durable and will offer years of service without showing wear or decay. It is also non-toxic so it can be easily cleaned and does not absorb bacteria sustaining particles. As a result it is a good candidate for food processing facilities. The material is also resilient; it can deflect under loads and then spring back.

All these attributes make aluminum grating an ideal solution for many special grating applications such as: sewage and waste water treatment plants, off-shore drilling rigs, the chemical processing industry, the paper mill industry and marine superstructure applications. Because of its natural attractiveness, aluminum grating is also used in many architectural and commercial applications including sun screens, ceiling tiles, vent grilles, fencing, building facades, fountains, nature and wildlife walkways, and entranceways.



Aluminum is the “Lightweight Champion”

Reasons Why:

- Aluminum is Non-Toxic
- Aluminum is Light Weight
- Aluminum is Durable
- Aluminum is our Most Abundant Metallic Element
- Aluminum has Excellent Corrosion Resistance
- Aluminum is Resilient
- Aluminum has High Strength-to-Weight Ratio
- Aluminum can be Customized in the Field
- Aluminum can be Easily Recycled
- Aluminum is Naturally Attractive
- Aluminum is Versatile



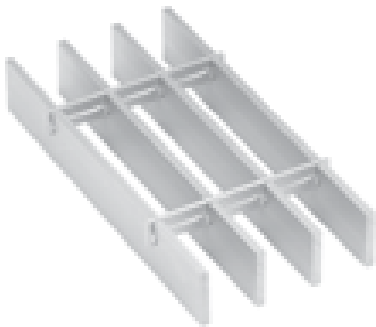
ALUMINUM PRODUCTS



Aluminum Rectangular, I-Bar & LITEBAR.

SG Series, SGI Series & SGLI Series

A type of pressure locked grating made by permanently attaching cross bars to bearing bars through a pressure applied swaging process. Bearing bars are either rectangular or "I" shaped and range in size from 1" through 2-1/2". Both Rectangular Bar and I-Bar are offered in 1-3/16" and 15/16" spacings, as well as ADA (July 1991) compliant spacings. Cross bars are available on 4" and 2" centers. A serrated surface (rectangular bar) or striated surface (I-Bar) is available for skid resistance.



Aluminum Flush Top

SGF Series

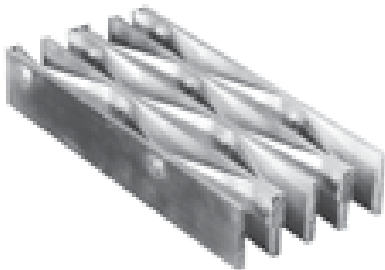
A type of pressure locked grating in which the cross bars are in the same plane relative to the top surface of the grating. Bearing bar sizes range from 1" x 1/8" through 2-1/2" x 3/16" in 1/4" increments. Bearing bar spacing of 1-3/16", 15/16", 1 1/16" and 7/16" c.c. and cross bar spacing of 4" or 2" are available. Where skid resistance is desired, a serrated surface can be provided. Aluminum Flush Top is available in spacings which provide a 1/4" or 1/2" opening in conformance with provisions of the ADA for grating products.



Aluminum Dove Tail

ADT Series

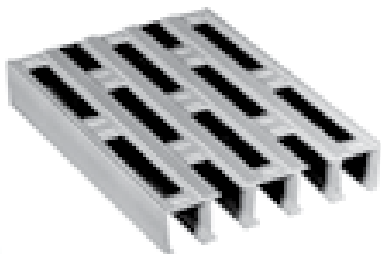
A type of pressure locked grating where bearing bars and cross bars are precision slotted, assembled in egg-crate fashion, and hydraulically pressed together to form a panel grid. Bearing bars range from 1" x 1/8" through 2-1/2" x 3/16" in 1/4" increments. Grating spacings for Aluminum Dove Tail include the standards, as well as the ADA (July 1991) compliant spacings. Many engineers prefer the bi-directional, rectilinear look and feel of Aluminum Dove Tail grating.



Aluminum Riveted

AR Series

A type of aluminum grating which combines straight bearing bars and bent connecting bars riveted together at their contact points. Riveted grating, although being the oldest style of industrial footwalk, is still the choice of many engineers due to its reliability and durability. All popular sizes and spacings of riveted grating are manufactured by Ohio Gratings with an emphasis on quality and service.



Aluminum Plank

A type of aluminum grating which is available in 6" wide sections, and either plain sided or interlocking. Plank can be provided in sections up to 26' 0" in length, or fabricated per plans and specs. Plank grating is available unpunched as an economical and structurally superior substitute for aluminum checkerplate, or with a variety of punch/patterns.

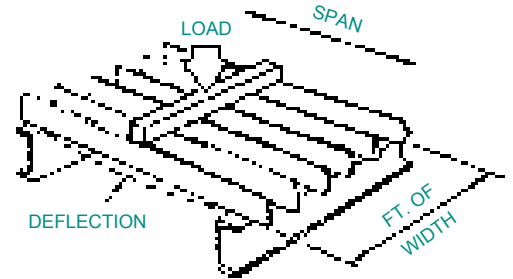
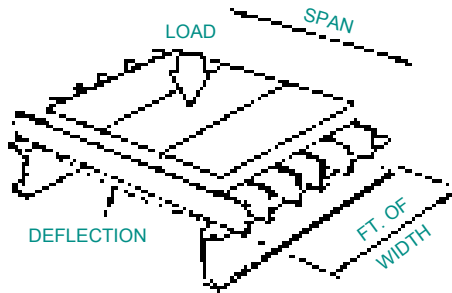
ALUMINUM DESIGN CRITERIA

The tables of safe loads which follow have been computed using the following design parameters:

- U** = Uniform Load - lbs/ft²
- C** = Concentrated Load - lbs/ft of grating width
- S** = Section Modulus - in³/ft of grating width
- I** = Moment of Inertia - in⁴/ft of grating width
- L** = Simple Clear Span - feet
- D** = Deflection - inches
- E** = Modulus of Elasticity (10,000,000 psi)
- F** = Allowable Bending Stress (12,000 psi)
See note below
- M** = Bending Moment

Design Service

Available at no charge to the specifying architect/engineer or fabricator, is access to a computer program which provides uniform load and deflection (actual or fraction of span) analysis of grating products. Just call, write or fax your design criteria – loading, span, allowable deflection, or grating size desired – and we will provide you with the information you require.



	Uniform Load	Concentrated Load
Step 1. Determine M:	$M = \frac{FS}{12}$	$M = \frac{FS}{12}$
Step 2. Determine U or C:	$U = \frac{8M}{L^2}$	$C = \frac{4M}{L}$
Step 3. Check D*:	$D = \frac{5UL(L \times 12)^3}{384 EI}$	$D = \frac{C(L \times 12)^3}{48 EI}$

*Deflection should be limited to 1/4" under 100# uniform load to afford pedestrian comfort.

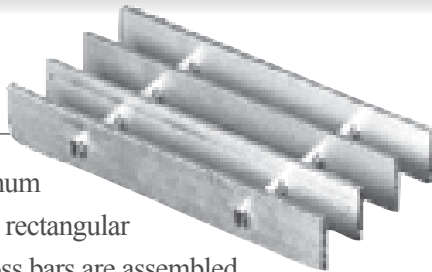
Aluminum Grating is best suited for use in conjunction with pedestrian traffic, and for very light, rubber pneumatic tired rolling traffic (carts, dollies and hand trucks). For other rolling loads (forklifts, cars, trucks, etc.) see the Heavy Duty Steel Grating section, page 67.

Information of a technical nature contained herein is intended only for evaluation by technically skilled persons, with any use thereof to be at their independent discretion and risk. Such information is reliable when evaluated in the proper manner under conditions as described herein. Ohio Gratings, Inc. shall have no responsibility or liability for results obtained or damages resulting from improper evaluation or use.

ALUMINUM RECTANGULAR BAR



SG SERIES



The most widely used aluminum pressure locked grating is the rectangular bar SG series. The square cross bars are assembled through punched diamond shaped holes in rectangular bearing bars and are permanently locked into place by a swaging process.

It provides clean crisp lines using recessed cross bar and eliminates the need for any type of welding to form the panels. By using the most modern technology available, swaged bar grating allows for a variety of spacings including those that conform to the “Americans with Disabilities Act”. Because of its aesthetic appeal and the ability to meet tight tolerances, this product is often used for architectural applications. Slip resistant surfaces are available.

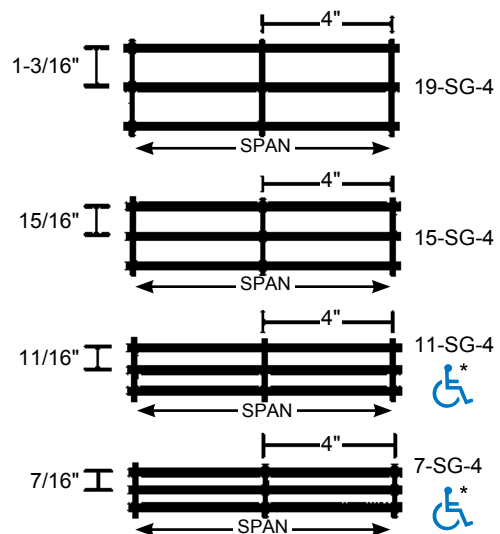
Serrated surface also available.

***8 Space available upon request.**

GRATING PROFILES AVAILABLE...

SG SERIES Aluminum Rectangular Bar

All profiles shown below are also available with 2" cross bar centers. Product numbers would be 19-SG-2, 15-SG-2, 11-SG-2 and 7-SG-2



See load tables beginning on page 12.

***Note:** Conforms with the spacing requirements of ADA (July 1991) when installed with the elongated opening perpendicular to the dominant direction of travel. See ADA Guidelines

ALUMINUM I-BAR



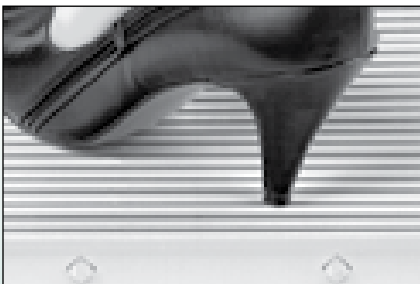
SGI SERIES

The I-Bar SGI Series offers a popular and reasonably priced alternative to rectangular bar grating. Extruded I-Bar sections have the same load carrying capacity with less weight per square foot than rectangular bars.

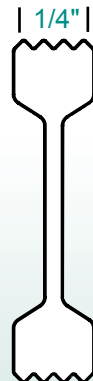
The striated top and bottom flanges provide a “built-in” skid resistance feature without the added cost of serration.



Our closest mesh ▼



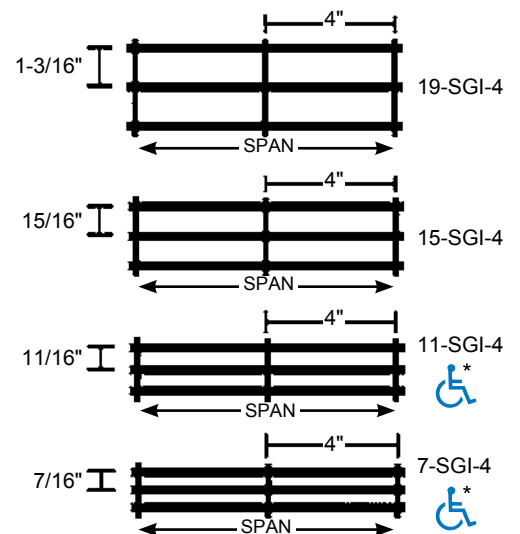
End view ►



GRATING PROFILES AVAILABLE...

SGI SERIES Aluminum I-Bar

All profiles shown below are also available with 2" cross bar centers. Product numbers would be 19-SGI-2, 15-SGI-2, 11-SGI-2 and 7-SGI-2



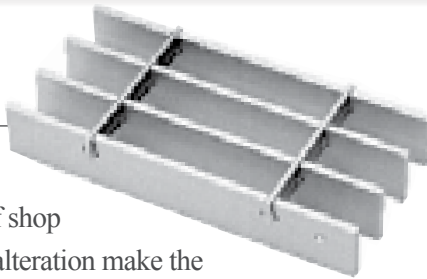
See load tables beginning on page 12.

*Note: Conforms with the spacing requirements of ADA (July 1991) when installed with the elongated opening perpendicular to the dominant direction of travel. See ADA Guidelines

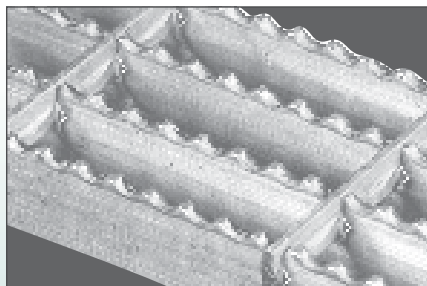
ALUMINUM FLUSH TOP



SGF SERIES



Maximum walking surface, cosmetic appeal, economy of shop fabrication and ease of field alteration make the Aluminum Flush Top series the premier choice when pressure locked aluminum grating is being specified. This series offers a type of pressure locked grating in which the cross bars are in the same plane relative to the top surface of the grating. For those areas that receive a great deal of pedestrian traffic, our 1/4" opening 7-SGF-4 close space product is available which conforms with the provisions of the "Americans with Disabilities Act".



Slip resistant surfaces are available.

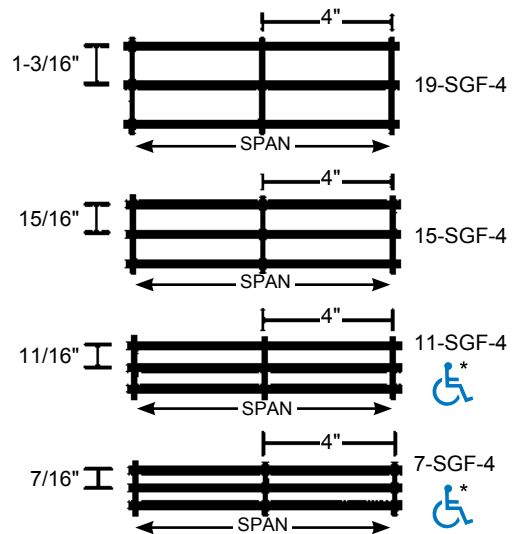
◀ **Serrated surface also available**

***8 Space available upon request.**

GRATING PROFILES AVAILABLE...

SGF SERIES Aluminum Flush Top

All profiles shown below are also available with 2" cross bar centers. Product numbers would be 19-SGF-2, 15-SGF-2, 11-SGF-2 and 7-SGF-2



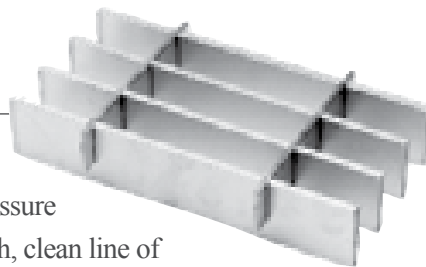
See load tables beginning on page 12.

***Note:** Conforms with the spacing requirements of ADA (July 1991) when installed with the elongated opening perpendicular to the dominant direction of travel. See ADA Guidelines

ALUMINUM DOVE TAIL



ADT SERIES



Traditionally designed, Aluminum Dove Tail slot pressure locked grating offers a smooth, clean line of a flush top rectangular cross bar. Bearing bars and cross bars are precision slotted, assembled in egg-crate fashion and hydraulically pressed together to form a tightly locked, rigidly stable panel grid. This grating is available in spacings, which provide a 1/4" or 1/2" opening in conformance with provisions for the "Americans with Disabilities Act" (July 1991). These products are part of our Grater Access line and are available with cross bars on 2" or 4" centers. This is also a popular style in the architectural community because of the aesthetic eye appeal of the product and the ability to maintain tighter tolerances. Slip resistant surfaces are available.

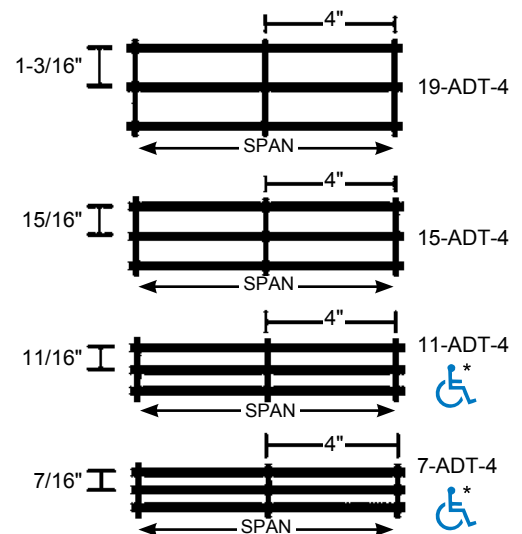
Serrated surface also available.

***8 Space available upon request.**

GRATING PROFILES AVAILABLE...

ADT SERIES Aluminum Dove Tail

All profiles shown below are also available with 2" cross bar centers. Product numbers would be 19-ADT-2, 15-ADT-2, 11-ADT-2 and 7-ADT-2

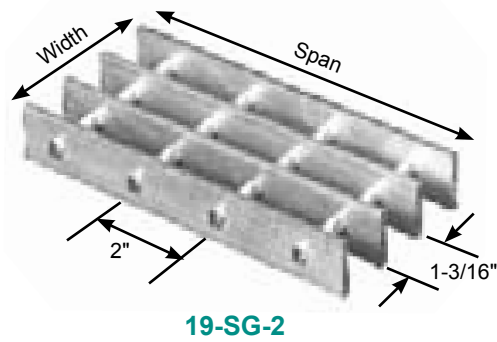
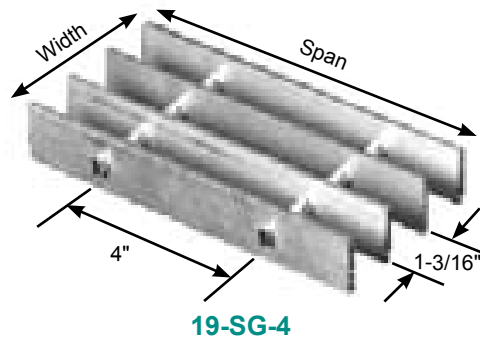


See load tables beginning on page 12.

*Note: Conforms with the spacing requirements of ADA (July 1991) when installed with the elongated opening perpendicular to the dominant direction of travel. See ADA Guidelines

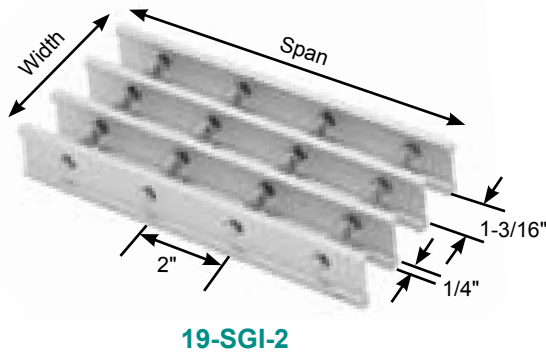
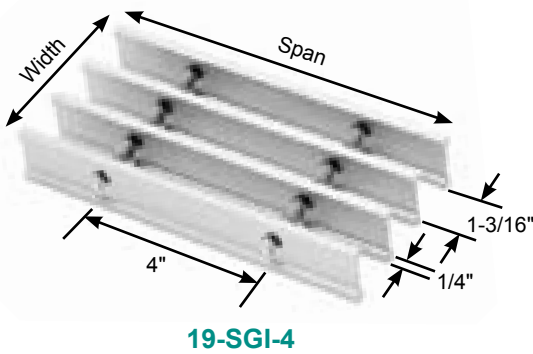
19 SPACE PROFILES

ALUMINUM RECTANGULAR BAR



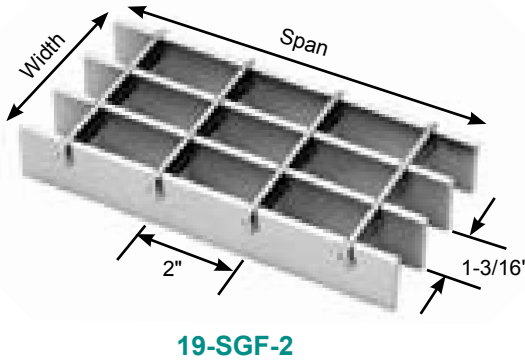
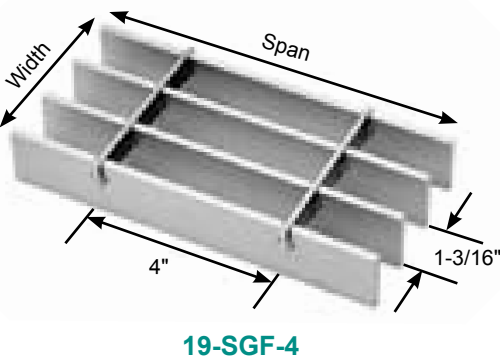
% Open Area*		
Bars	1/8"	3/16"
4" cc	85%	80%
2" cc	81%	77%

ALUMINUM I-BAR



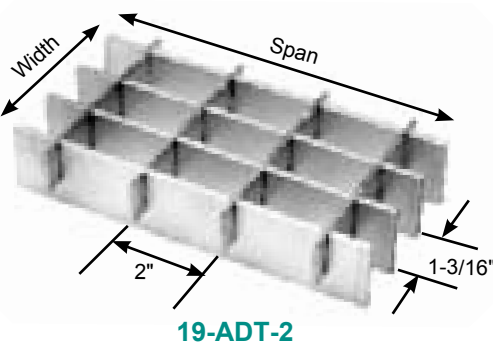
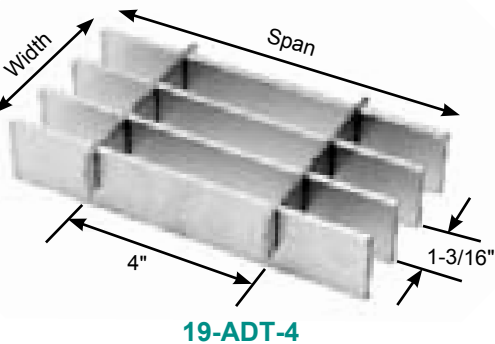
% Open Area*	
4" cc	2" cc
73%	67%

ALUMINUM FLUSH TOP



% Open Area*		
Bars	1/8"	3/16"
4" cc	85%	80%
2" cc	81%	77%

ALUMINUM DOVE TAIL



% Open Area*		
Bars	1/8"	3/16"
4" cc	86%	81%
2" cc	84%	79%

19 SPACE LOAD TABLES

Visit http://www.ohiogratings.com/prod_specs.html for full product specifications.

Bar Size, Inches	Ped Span, Inches	Wt.* Lbs. Sq. Ft.	Sec. Prop Sx*, in ³ / lx*, in ⁴	Clear Span																					
				2'- 0"	2'- 6"	3'- 0"	3'- 6"	4'- 0"	4'- 6"	5'- 0"	5'- 6"	6'- 0"	6'- 6"	7'- 0"	8'- 0"										
1 x 1/8	39	1.71	0.211	U	421	269	187	137	U - Safe uniform load in pounds/sq. ft. C - Safe concentrated load in pounds/ft. grating width D - Deflection in inches Loads and deflections given in this table are theoretical, and are based on a unit stress of 12,000 psi.																
				D	0.144	0.225	0.324	0.439																	
			0.105	C	421	337	281	241																	
				D	0.115	0.180	0.259	0.353																	
1 x 3/16	44	2.46	0.316	U	632	404	281	206									158								
				D	0.144	0.225	0.324	0.441									0.576								
I-Bar		1.99	0.158	C	632	505	421	361									316								
				D	0.115	0.180	0.259	0.353									0.461								
1-1/4 x 1/8	47	2.08	0.329	U	658	421	292	215									164								
				D	0.115	0.180	0.259	0.353									0.459								
			0.206	C	658	526	439	376									329								
				D	0.092	0.144	0.208	0.282									0.369								
1-1/4 x 3/16	52	3.01	0.493	U	987	632	439	322	247	195															
				D	0.115	0.180	0.259	0.353	0.461	0.583															
		I-Bar	2.34	0.308	C	987	789	658	564	493	439														
					D	0.092	0.144	0.207	0.282	0.368	0.467														
1-1/2 x 1/8	53	2.46	0.474	U	947	606	421	309	237	187															
				D	0.096	0.150	0.216	0.294	0.384	0.486															
			0.355	C	947	758	632	541	474	421															
				D	0.077	0.120	0.173	0.235	0.307	0.389															
1-1/2 x 3/16	59	3.56	0.711	U	1421	909	632	464	355	281	227														
				D	0.096	0.150	0.216	0.294	0.384	0.487	0.599														
		I-Bar	2.70	0.533	C	1421	1137	947	812	711	632	568													
					D	0.077	0.120	0.173	0.235	0.307	0.389	0.480													
1-3/4 x 3/16	66	4.12	0.967	U	1934	1238	860	632	484	382	309	256	215												
				D	0.082	0.129	0.185	0.252	0.329	0.417	0.514	0.623	0.741												
		I-Bar	3.06	0.846	C	1934	1547	1289	1105	967	860	774	703	645											
					D	0.066	0.103	0.148	0.202	0.263	0.333	0.412	0.498	0.593											
2 x 3/16	73	4.68	1.263	U	2526	1617	1123	825	632	499	404	334	281	239											
				D	0.072	0.113	0.162	0.221	0.288	0.364	0.450	0.544	0.649	0.760											
		I-Bar	3.43	1.263	C	2526	2021	1684	1444	1263	1123	1011	919	842	777										
					D	0.058	0.090	0.130	0.176	0.230	0.292	0.360	0.436	0.518	0.608										
2-1/4 x 3/16	80	5.24	1.599	U	3197	2046	1421	1044	799	632	512	423	355	303	261										
				D	0.064	0.100	0.144	0.196	0.256	0.324	0.400	0.484	0.576	0.677	0.784										
		I-Bar	3.75	1.798	C	3197	2558	2132	1827	1599	1421	1279	1163	1066	984	914									
					D	0.051	0.080	0.115	0.157	0.205	0.259	0.320	0.387	0.461	0.541	0.628									
2-1/2 x 3/16	87	5.79	1.974	U	3947	2526	1754	1289	987	780	632	522	439	374	322	247									
				D	0.058	0.090	0.130	0.176	0.230	0.292	0.360	0.436	0.519	0.609	0.705	0.823									
		I-Bar	4.15	2.467	C	3947	3158	2632	2256	1974	1754	1579	1435	1316	1215	1128	987								
					D	0.046	0.072	0.104	0.141	0.184	0.233	0.288	0.348	0.415	0.487	0.565	0.737								

*Based on 10.105 bars/ft. of grating width. Bearing bars 1-3/16" c.c. Add .3 lbs./sq. ft. for 19-SG-2. **Note:** Grating for spans to the left of the heavy line has a deflection less than 1/4" for uniform loads of 100 lbs./sq. ft. This is the maximum deflection to afford pedestrian comfort and can be exceeded for other types of load at the discretion of the engineer. The actual Ped (pedestrian) Span under this condition is shown above for each size of grating. When serrated grating is specified, the depth of grating required for a specific load will be 1/4" greater than that shown in these tables.

Panel Width Chart (in.) - 19-SG-4, 19-SG-2, 19-SGLi-4, 19-SGLi-2, 19-SGF-4, 19-SGF-2, 19-ADT-4 & 19-ADT-2
Dimensions Are Out-to-Out of Bearing Bars**

No. of Bars	2	3	4	5	6	7	8	9	10	11	12	13	14	15	16
3/16" Bars	1-3/8	2-9/16	3-3/4	4-15/16	6-1/8	7-5/16	8-1/2	9-11/16	10-7/8	12-1/16	13-1/4	14-7/16	15-5/8	16-13/16	18
No. of Bars	17	18	19	20	21	22	23	24	25	26	27	28	29	30	31
3/16" Bars	19-3/16	20-3/8	21-9/16	22-3/4	23-15/16	25-1/8	26-5/16	27-1/2	28-11/16	29-7/8	31-1/16	32-1/4	33-7/16	34-5/8	35-13/16

**Add 1/4" for extended cross bars. Deduct 1/16" for 1/8" bearing bars. Standard panel widths indicated in teal.

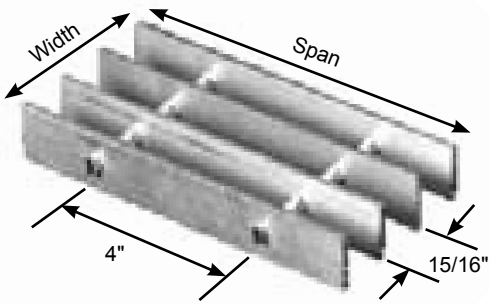
Panel Width Chart (in.) - 19-SGI-4 & 19-SGI-2
Dimensions Are Out-to-Out of Bearing Bars**

No. of Bars	2	3	4	5	6	7	8	9	10	11	12	13	14	15	16
1/4" Flange	1-7/16	2-5/8	3-13/16	5	6-3/16	7-3/8	8-9/16	9-3/4	10-15/16	12-1/8	13-5/16	14-1/2	15-11/16	16-7/8	18-1/16
No. of Bars	17	18	19	20	21	22	23	24	25	26	27	28	29	30	31
1/4" Flange	19-1/4	20-7/16	21-5/8	22-13/16	24	25-3/16	26-3/8	27-9/16	28-3/4	29-15/16	31-1/8	32-5/16	33-1/2	34-11/16	35-7/8

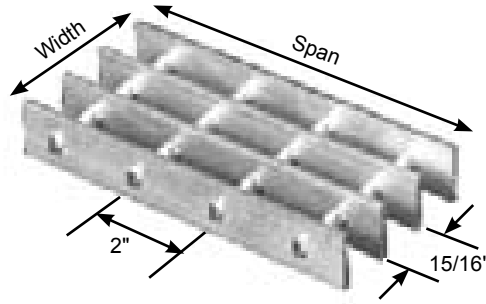
**Bar thickness is 1/4" at top and bottom. Add 1/4" for extended cross bars. Standard panel widths indicated in teal.

15 SPACE PROFILES

ALUMINUM RECTANGULAR BAR



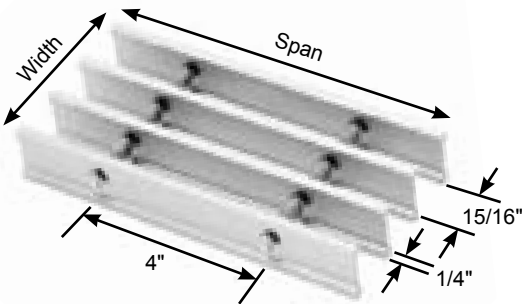
15-SG-4



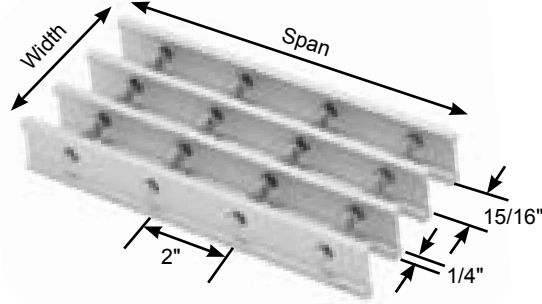
15-SG-2

% Open Area*	
4" cc	76%
2" cc	73%

ALUMINUM I-BAR



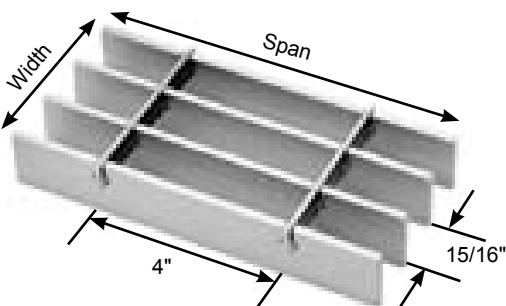
15-SGI-4



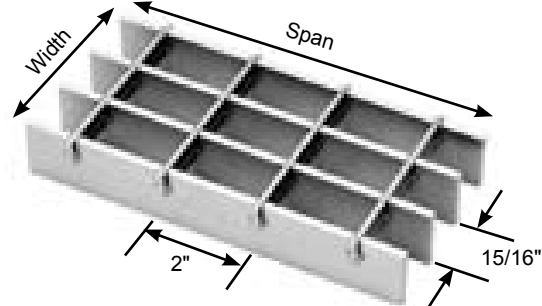
15-SGI-2

% Open Area*	
4" cc	68%
2" cc	62%

ALUMINUM FLUSH TOP



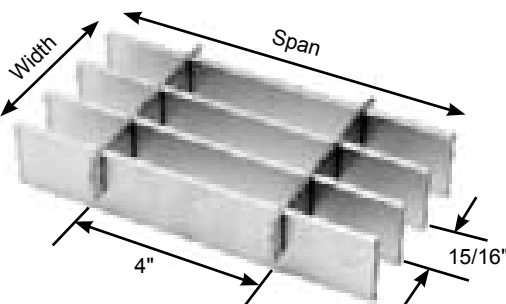
15-SGF-4



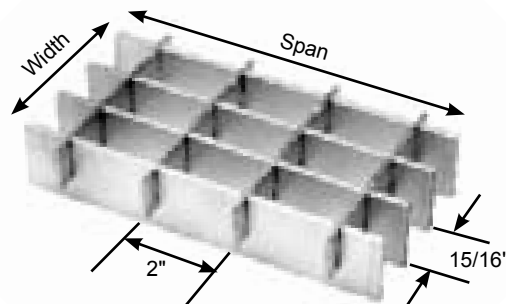
15-SGF-2

% Open Area*	
4" cc	76%
2" cc	73%

ALUMINUM DOVE TAIL



15-ADT-4



15-ADT-2

% Open Area*	
4" cc	77%
2" cc	75%

15 SPACE LOAD TABLES

Visit http://www.ohiogratings.com/prod_specs.html for full product specifications.

Bar Size, Inches	Ped Span, Inches	Wt.* Lbs. Sq. Ft.	Sec. Prop Sx*, in ³ Ix*, in ⁴	ClearSpan												
				2'- 0"	2'- 6"	3'- 0"	3'- 6"	4'- 0"	4'- 6"	5'- 0"	5'- 6"	6'- 0"	6'- 6"	7'- 0"	8'- 0"	
1 x 3/16	46	3.06	0.400	U	800	512	356	261	200							
				D	0.144	0.225	0.324	0.441	0.576							
I-Bar		2.42	0.200	C	800	640	533	457	400							
				D	0.115	0.180	0.259	0.353	0.461							
1-1/4 x 3/16	55	3.75	0.625	U	1250	800	556	408	313	247	200					
				D	0.115	0.180	0.259	0.353	0.462	0.583	0.720					
I-Bar		2.87	0.391	C	1250	1000	833	714	625	556	500					
				D	0.092	0.144	0.207	0.282	0.369	0.467	0.576					
1-1/2 x 3/16	63	4.45	0.900	U	1800	1152	800	588	450	356	288	238				
				D	0.096	0.150	0.216	0.294	0.384	0.487	0.600	0.726				
I-Bar		3.33	0.675	C	1800	1440	1200	1029	900	800	720	655				
				D	0.077	0.120	0.173	0.235	0.307	0.389	0.480	0.581				
1-3/4 x 3/16	70	5.16	1.225	U	2450	1568	1089	800	613	484	392	324	272			
				D	0.082	0.129	0.185	0.252	0.329	0.417	0.514	0.622	0.740			
I-Bar		3.78	1.072	C	2450	1960	1633	1400	1225	1089	980	891	817			
				D	0.066	0.103	0.148	0.202	0.263	0.333	0.411	0.498	0.593			
2 x 3/16	78	5.87	1.600	U	3200	2048	1422	1045	800	632	512	423	356	303	261	
				D	0.072	0.113	0.162	0.221	0.288	0.364	0.450	0.544	0.649	0.761	0.881	
I-Bar		4.25	1.600	C	3200	2560	2133	1829	1600	1422	1280	1164	1067	985	914	
				D	0.058	0.090	0.130	0.176	0.230	0.292	0.360	0.436	0.519	0.609	0.705	
2-1/4 x 3/16	85	6.57	2.025	U	4050	2592	1800	1322	1013	800	648	536	450	383	331	253
				D	0.064	0.100	0.144	0.196	0.256	0.324	0.400	0.484	0.576	0.675	0.785	1.023
I-Bar		4.66	2.278	C	4050	3240	2700	2314	2025	1800	1620	1473	1350	1246	1157	1013
				D	0.051	0.080	0.115	0.157	0.205	0.259	0.320	0.387	0.461	0.541	0.627	0.820
2-1/2 x 3/16	92	7.27	2.500	U	5000	3200	2222	1633	1250	988	800	661	556	473	408	313
				D	0.058	0.090	0.130	0.176	0.230	0.292	0.360	0.435	0.519	0.608	0.705	0.923
I-Bar		5.16	3.125	C	5000	4000	3333	2857	2500	2222	2000	1818	1667	1538	1429	1250
				D	0.046	0.072	0.104	0.141	0.184	0.233	0.288	0.348	0.415	0.487	0.565	0.737

*Based on 12.8 bars/ft. of grating width. Bearing bars 15/16" c.c. Add 3 lbs./sq. ft. for 15-SG-2, 1/8" bearing bars available by inquiry. Note: Grating for spans to the left of the heavy line have a deflection less than 1/4" for uniform loads of 100 lbs./sq. ft. This is the maximum deflection to afford pedestrian comfort and can be exceeded for other types of load at the discretion of the engineer. The actual Ped (pedestrian) Span under this condition is shown above for each size of grating. When serrated grating is specified, the depth of grating required for a specific load will be 1/4" greater than that shown in these tables.

Panel Width Chart (in.) - 15-SG-4, 15-SG-2, 15-SGLi-4, 15-SGLi-2, 15-SGF-4, 15-SGF-2, 15-ADT-4 & 15-ADT-2 Dimensions Are Out-to-Out of Bearing Bars**

No. of Bars	2	3	4	5	6	7	8	9	10	11	12	13	14	15	16
3/16" Bars	1-1/8	2-1/16	3	3-15/16	4-7/8	5-13/16	6-3/4	7-11/16	8-5/8	9-9/16	10-1/2	11-7/16	12-3/8	13-5/16	14-1/4
No. of Bars	17	18	19	20	21	22	23	24	25	26	27	28	29	30	31
3/16" Bars	15-3/16	16-1/8	17-1/16	18	18-15/16	19-7/8	20-13/16	21-3/4	22-11/16	23-5/8	24-9/16	25-1/2	26-7/16	27-3/8	28-5/16
No. of Bars	32	33	34	35	36	37	38	39							
3/16" Bars	29-1/4	30-3/16	31-1/8	32-1/16	33	33-15/16	34-7/8	35-13/16							

**Add 1/4" for extended cross bars. Deduct 1/16" for 1/8" bearing bars. Standard panel widths indicated in teal.

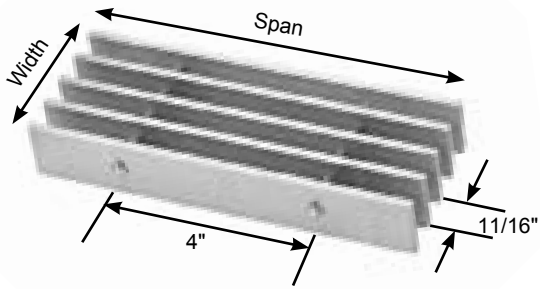
Panel Width Chart (in.) - 15-SGI-4 & 15-SGI-2 Dimensions Are Out-to-Out of Bearing Bars**

No. of Bars	2	3	4	5	6	7	8	9	10	11	12	13	14	15	16
1/4" Flange	1-3/16	2-1/8	3-1/16	4	4-15/16	5-7/8	6-13/16	7-3/4	8-11/16	9-5/8	10-9/16	11-1/2	12-7/16	13-3/8	14-5/16
No. of Bars	17	18	19	20	21	22	23	24	25	26	27	28	29	30	31
1/4" Flange	15-1/4	16-3/16	17-1/8	18-1/16	19	19-15/16	20-7/8	21-13/16	22-3/4	23-11/16	24-5/8	25-9/16	26-1/2	27-7/16	28-3/8
No. of Bars	32	33	34	35	36	37	38	39							
1/4" Flange	29-1/4	30-1/4	31-3/16	32-1/8	33-1/16	34	34-15/16	35-7/8							

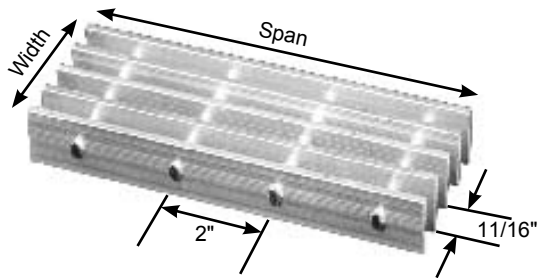
**Bar thickness is 1/4" at top and bottom. Add 1/4" for extended cross bars. Standard panel widths indicated in teal.

11 SPACE PROFILES Products conform to ADA specifications

ALUMINUM RECTANGULAR BAR



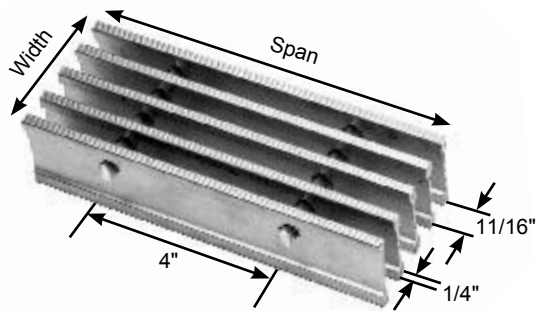
11-SG-4



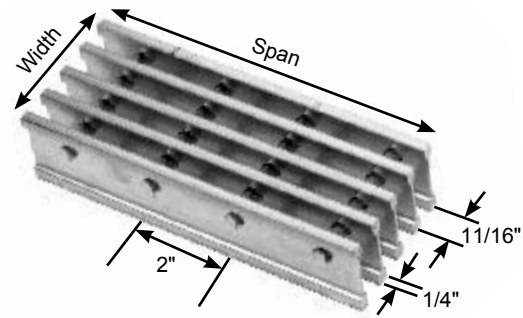
11-SG-2

% Open Area*	
4" cc	69%
2" cc	66%

ALUMINUM I-BAR



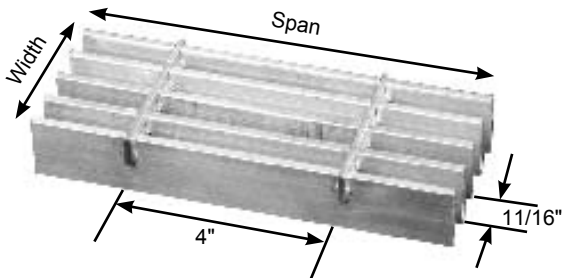
11-SGI-4



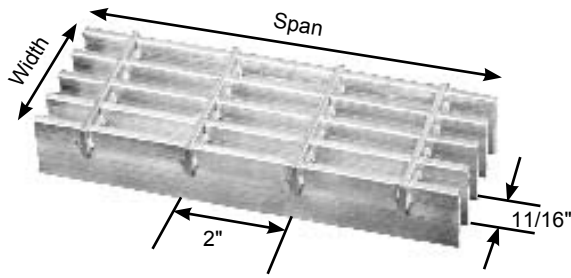
11-SGI-2

% Open Area*	
4" cc	59%
2" cc	55%

ALUMINUM FLUSH TOP



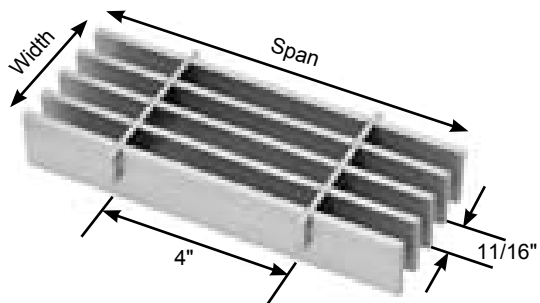
11-SGF-4



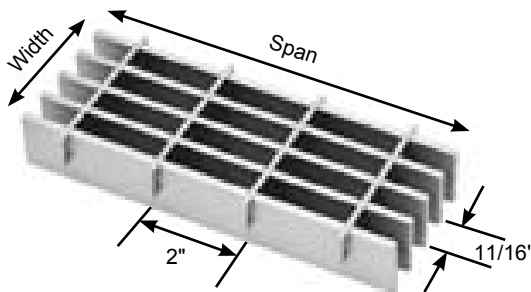
11-SGF-2

% Open Area*	
4" cc	69%
2" cc	66%

ALUMINUM DOVE TAIL



11-ADT-4



11-ADT-2

% Open Area*	
4" cc	70%
2" cc	68%

11 SPACE LOAD TABLES

Visit http://www.ohiogratings.com/prod_specs.html for full product specifications.

Bar Size, Inches	Ped Span, Inches	Wt.* Lbs. Sq. Ft.	Sec. Prop Sx*, in ³ Ix*, in ⁴	Clear Span																								
				2'- 0"	2'- 6"	3'- 0"	3'- 6"	4'- 0"	4'- 6"	5'- 0"	5'- 6"	6'- 0"	6'- 6"	7'- 0"	8'- 0"													
1 x 3/16	50	4.13	0.545	U	1091	698	485	356	273	215	U - Safe uniform load in pounds/sq. ft. C - Safe concentrated load in pounds/ft. grating width D - Deflection in inches Loads and deflections given in this table are theoretical, and are based on a unit stress of 12,000 psi.																	
				D	0.144	0.225	0.324	0.441	0.577	0.727																		
I-Bar		3.18	0.273	C	1091	873	727	623	545	485																		
				D	0.115	0.180	0.259	0.353	0.460	0.583																		
1-1/4 x 3/16	59	5.13	0.852	U	1705	1091	758	557	426	337							273	Loads and deflections given in this table are theoretical, and are based on a unit stress of 12,000 psi.										
				D	0.115	0.180	0.259	0.353	0.461	0.584							0.721											
I-Bar		3.79	0.533	C	1705	1364	1136	974	852	758							682											
				D	0.092	0.144	0.207	0.282	0.369	0.467							0.576											
1-1/2 x 3/16	68	6.21	1.227	U	2455	1571	1091	802	614	485	393	325	273	Loads and deflections given in this table are theoretical, and are based on a unit stress of 12,000 psi.														
				D	0.096	0.150	0.216	0.294	0.384	0.486	0.600	0.727	0.865															
I-Bar		4.42	0.920	C	2455	1964	1636	1403	1227	1091	982	893	818															
				D	0.077	0.120	0.173	0.235	0.307	0.389	0.480	0.581	0.691															
1-3/4 x 3/16	76	7.18	1.670	U	3341	2138	1485	1091	835	660	535	442	371							316	Loads and deflections given in this table are theoretical, and are based on a unit stress of 12,000 psi.							
				D	0.082	0.129	0.185	0.252	0.329	0.417	0.515	0.623	0.740							0.868								
I-Bar		5.03	1.462	C	3341	2673	2227	1909	1670	1485	1336	1215	1114							1028								
				D	0.066	0.103	0.148	0.202	0.263	0.333	0.411	0.498	0.593							0.695								
2 x 3/16	84	8.14	2.182	U	4364	2793	1939	1425	1091	862	698	577	485	413	356	273	Loads and deflections given in this table are theoretical, and are based on a unit stress of 12,000 psi.											
				D	0.072	0.113	0.162	0.221	0.288	0.365	0.450	0.544	0.648	0.760	0.881	1.153												
I-Bar		5.67	2.182	C	4364	3491	2909	2494	2182	1939	1746	1587	1455	1343	1247	1091												
				D	0.058	0.090	0.130	0.176	0.230	0.292	0.360	0.436	0.519	0.609	0.706	0.922												
2-1/4 x 3/16	92	9.10	2.761	U	5523	3535	2455	1803	1381	1091	884	730	614	523	451	345							Loads and deflections given in this table are theoretical, and are based on a unit stress of 12,000 psi.					
				D	0.064	0.100	0.144	0.196	0.256	0.324	0.400	0.484	0.576	0.676	0.784	1.023												
I-Bar		6.23	3.107	C	5523	4418	3682	3156	2761	2455	2209	2008	1841	1699	1578	1381												
				D	0.051	0.080	0.115	0.157	0.205	0.259	0.320	0.387	0.461	0.541	0.627	0.819												
2-1/2 x 3/16	100	10.06	3.409	U	6818	4364	3030	2226	1705	1347	1091	902	758	646	557	426	Loads and deflections given in this table are theoretical, and are based on a unit stress of 12,000 psi.											
				D	0.058	0.090	0.130	0.176	0.230	0.292	0.360	0.436	0.519	0.609	0.706	0.921												
I-Bar		6.91	4.261	C	6818	5455	4546	3896	3409	3030	2727	2479	2273	2098	1948	1705												
				D	0.046	0.072	0.104	0.141	0.184	0.233	0.288	0.348	0.415	0.487	0.564	0.737												

*Based on 17.455 bars/ft. of grating width. Bearing bars 11/16" c.c. Add .4 lbs./sq. ft. for 11-SGF-2, 1/8" bearing bars available by inquiry. Note: Grating for spans to the left of the heavy line have a deflection less than 1/4" for uniform loads of 100 lbs./sq. ft. This is the maximum deflection to afford pedestrian comfort and can be exceeded for other types of load at the discretion of the engineer. The actual Ped (pedestrian) Span under this condition is shown above for each size of grating. When serrated grating is specified, the depth of grating required for a specific load will be 1/4" greater than that shown in these tables.

Panel Width Chart (in.) - 11-SGF-4, 11-SGF-2, 11-SGLi-4, 11-SGLi-2, 11-SG-4, 11-SG-2, 11-ADT-4 & 11-ADT-2
 Dimensions Are Out-to-Out of Bearing Bars**

No. of Bars	2	3	4	5	6	7	8	9	10	11	12	13	14	15	16
3/16" Bars	7/8	1-9/16	2-1/4	2-5/16	3-5/8	4-5/16	5	5-11/16	6-3/8	7-1/16	7-3/4	8-7/16	9-1/8	9-13/16	10-1/2
No. of Bars	17	18	19	20	21	22	23	24	25	26	27	28	29	30	31
3/16" Bars	11-3/16	11-7/8	12-9/16	13-1/4	13-15/16	14-5/8	15-5/16	16	16-11/16	17-3/8	18-1/16	18-3/4	19-7/16	20-1/8	20-13/16
No. of Bars	32	33	34	35	36	37	38	39	40	41	42	43	44	45	46
3/16" Bars	21-1/2	22-3/16	22-7/8	23-9/16	24-1/4	24-15/16	25-5/8	26-5/16	27	27-11/16	28-3/8	29-1/16	29-3/4	30-7/16	31-1/8
No. of Bars	47	48	49	50	51	52	53								
3/16" Bars	31-13/16	32-1/2	33-3/16	33-7/8	34-9/16	35-1/4	35-15/16								

**Add 1/4" for extended cross bars. Deduct 1/16" for 1/8" bearing bars. Standard panel widths indicated in teal.

Panel Width Chart (in.) - 11-SGI-4 & 11-SGI-2 Dimensions Are Out-to-Out of Bearing Bars**

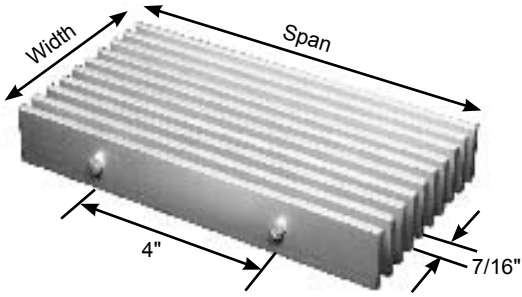
No. of Bars	2	3	4	5	6	7	8	9	10	11	12	13	14	15	16
1/4" Flange	15/16	1-5/8	2-5/16	3	3-11/16	4-3/8	5-1/16	5-3/4	6-7/16	7-1/8	7-13/16	8-1/2	9-3/16	9-7/8	10-9/16
No. of Bars	17	18	19	20	21	22	23	24	25	26	27	28	29	30	31
1/4" Flange	11-1/4	11-15/16	12-5/8	13-5/16	14	14-11/16	15-3/8	16-1/16	16-3/4	17-7/16	18-1/8	18-13/16	19-1/2	20-3/16	20-7/8
No. of Bars	32	33	34	35	36	37	38	39	40	41	42	43	44	45	46
1/4" Flange	21-9/16	22-1/4	22-15/16	23-5/8	24-5/16	25	25-11/16	26-3/8	27-1/16	27-3/4	28-7/16	29-1/8	29-13/16	30-1/2	31-3/16
No. of Bars	47	48	49	50	51	52	53								
1/4" Flange	31-7/8	32-9/16	33-1/4	33-15/16	34-5/8	35-5/16	36								

**Bar thickness is 1/4" at top and bottom. Add 1/4" for extended cross bars. Standard panel widths indicated in teal.

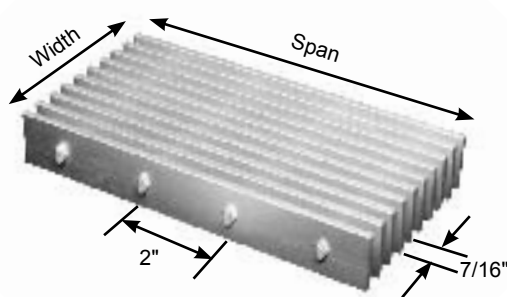
7 SPACE PROFILES

Products conform to ADA specifications

ALUMINUM RECTANGULAR BAR



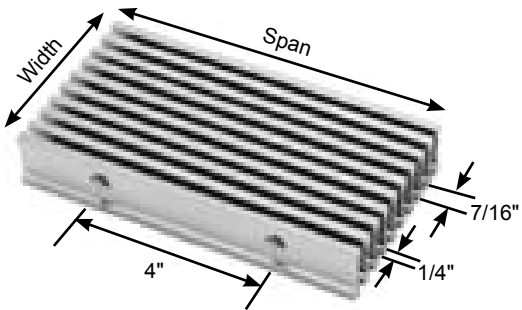
7-SG-4



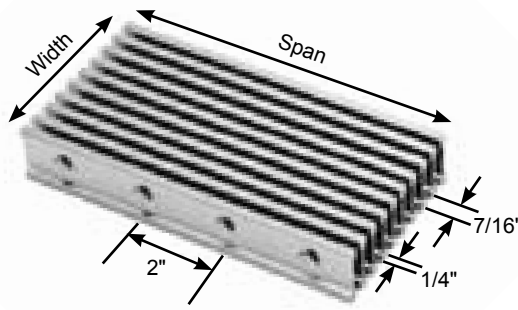
7-SG-2

% Open Area*	
4" cc	54%
2" cc	51%

ALUMINUM I-BAR



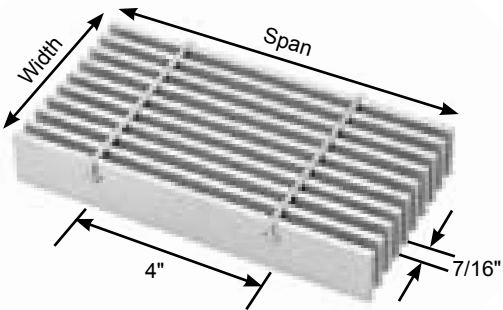
7-SGI-4



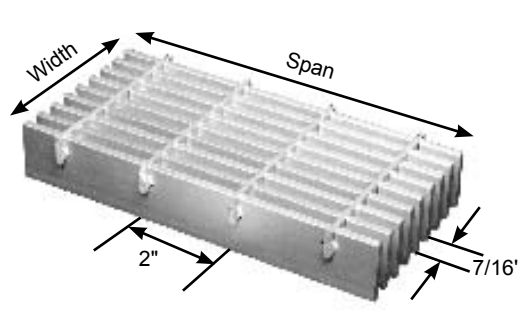
7-SGI-2

% Open Area*	
4" cc	39%
2" cc	36%

ALUMINUM FLUSH TOP



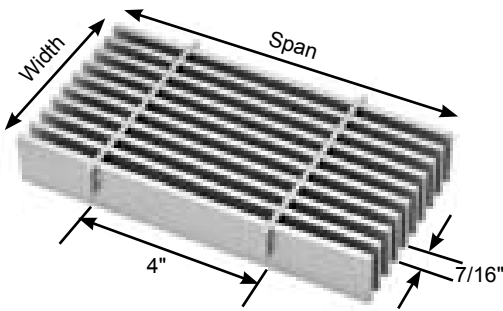
7-SGF-4



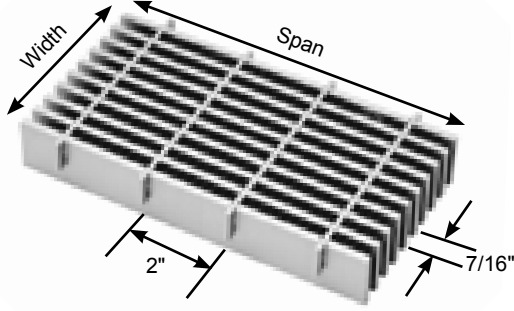
7-SGF-2

% Open Area*	
4" cc	54%
2" cc	51%

ALUMINUM DOVE TAIL



7-ADT-4



7-ADT-2

% Open Area*	
4" cc	55%
2" cc	53%

7 SPACE LOAD TABLES

Visit http://www.ohiogratings.com/prod_specs.html for full product specifications.

Bar Size, Inches	Ped Span, Inches	Wt.* Lbs. Sq. Ft.	Sec. Prop Sx*, in ³ Ix*, in ⁴	ClearSpan												
				2'- 0"	2'- 6"	3'- 0"	3'- 6"	4'- 0"	4'- 6"	5'- 0"	5'- 6"	6'- 0"	6'- 6"	7'- 0"	8'- 0"	
1 x 3/16	56	6.30	0.857	U	1714	1097	762	560	429	339	274	U - Safe uniform load in pounds/sq. ft. C - Safe concentrated load in pounds/ft. grating width D - Deflection in inches				
				D	0.144	0.225	0.324	0.441	0.577	0.730	0.899					
I-Bar		4.79	0.429	C	1714	1371	1143	980	857	762	686					
				D	0.115	0.180	0.259	0.353	0.461	0.583	0.720					
1-1/4 x 3/16	66	7.78	1.339	U	2679	1714	1190	875	670	529	429	354	298	Loads and deflections given in this table are theoretical, and are based on a unit stress of 12,000 psi.		
				D	0.115	0.180	0.259	0.353	0.461	0.583	0.721	0.871	1.038			
I-Bar		5.75	0.837	C	2679	2143	1786	1531	1339	1190	1071	974	893			
				D	0.092	0.144	0.207	0.282	0.369	0.466	0.576	0.697	0.830			
1-1/2 x 3/16	76	9.28	1.929	U	3857	2469	1714	1259	964	762	617	510	429	365		
				D	0.096	0.150	0.216	0.294	0.384	0.486	0.600	0.726	0.865	1.014		
I-Bar		6.74	1.446	C	3857	3086	2571	2204	1929	1714	1543	1403	1286	1187		
				D	0.077	0.120	0.173	0.235	0.307	0.389	0.480	0.581	0.691	0.811		
1-3/4 x 3/16	85	10.80	2.625	U	5250	3360	2333	1714	1313	1037	840	694	583	497	429	328
				D	0.082	0.129	0.185	0.252	0.329	0.417	0.514	0.622	0.740	0.869	1.009	1.316
I-Bar		7.70	2.297	C	5250	4200	3500	3000	2625	2333	2100	1909	1750	1615	1500	1313
				D	0.066	0.103	0.148	0.202	0.263	0.333	0.411	0.498	0.592	0.695	0.806	1.054
2 x 3/16	94	12.32	3.429	U	6857	4389	3048	2239	1714	1355	1097	907	762	649	560	429
				D	0.072	0.113	0.162	0.220	0.288	0.365	0.450	0.545	0.648	0.760	0.882	1.153
I-Bar		8.71	3.429	C	6857	5486	4572	3918	3429	3048	2743	2494	2286	2110	1959	1714
				D	0.058	0.090	0.130	0.176	0.230	0.292	0.360	0.436	0.518	0.608	0.706	0.821
2-1/4 x 3/16	103	13.83	4.339	U	8679	5554	3857	2834	2170	1714	1389	1148	964	822	708	542
				D	0.064	0.100	0.144	0.196	0.256	0.324	0.400	0.484	0.576	0.676	0.783	1.023
I-Bar		9.59	4.882	C	8679	6943	5786	4959	4339	3857	3471	3156	2893	2670	2480	2170
				D	0.051	0.080	0.115	0.157	0.205	0.259	0.320	0.387	0.461	0.541	0.627	0.819
2-1/2 x 3/16	111	15.33	5.357	U	10714	6857	4762	3499	2679	2116	1714	1417	1190	1014	875	670
				D	0.058	0.090	0.130	0.176	0.230	0.292	0.360	0.436	0.518	0.608	0.706	0.922
I-Bar		10.66	6.697	C	10714	8572	7143	6123	5357	4762	4286	3896	3571	3297	3061	2679
				D	0.046	0.072	0.104	0.141	0.184	0.233	0.288	0.348	0.415	0.487	0.564	0.737

*Based on 27.429 bars/ft. of grating width. Bearing bars 7/16" c.c. Add .3 lbs./sq. ft. for 7-SG-2, 1/8" bearing bars available by inquiry. Note: Grating for spans to the left of the heavy line have a deflection less than 1/4" for uniform loads of 100 lbs./sq. ft. This is the maximum deflection to afford pedestrian comfort and can be exceeded for other types of load at the discretion of the engineer. The actual Ped (pedestrian) Span under this condition is shown above for each size of grating. When serrated grating is specified, the depth of grating required for a specific load will be 1/4" greater than that shown in these tables.

Panel Width Chart (in.) - 7-SG-4, 7-SG-2, 7-SGLi-4, 7-SGLi-2, 7-SGF-4, 7-SGF-2, 7-ADT-4 & 7-ADT-2 Dimensions Are Out-to-Out of Bearing Bars**

No. of Bars	2	3	4	5	6	7	8	9	10	11	12	13	14	15	16
3/16" Bars	5/8	1-1/16	1-1/2	1-15/16	2-3/8	2-13/16	3-1/4	3-11/16	4-1/8	4-9/16	5	5-7/16	5-7/8	6-5/16	6-3/4
No. of Bars	17	18	19	20	21	22	23	24	25	26	27	28	29	30	31
3/16" Bars	7-3/16	7-5/8	8-1/16	8-1/2	8-15/16	9-3/8	9-13/16	10-1/4	10-11/16	11-1/8	11-9/16	12	12-7/16	12-7/8	13-5/16
No. of Bars	32	33	34	35	36	37	38	39	40	41	42	43	44	45	46
3/16" Bars	13-3/4	14-3/16	14-5/8	15-1/16	15-1/2	15-15/16	16-3/8	16-13/16	17-1/4	17-11/16	18-1/8	18-9/16	19	19-7/16	19-7/8
No. of Bars	47	48	49	50	51	52	53	54	55	56	57	58	59	60	61
3/16" Bars	20-5/16	20-3/4	21-3/16	21-5/8	22-1/16	22-1/2	22-15/16	23-3/8	23-13/16	24-1/4	24-11/16	25-1/8	25-9/16	26	26-7/16
No. of Bars	62	63	64	65	66	67	68	69	70	71	72	73	74	75	76
3/16" Bars	26-7/16	27-5/16	27-3/4	28-3/16	28-5/8	29-1/16	29-1/2	29-15/16	30-3/8	30-13/16	31-1/4	31-11/16	32-1/8	32-9/16	33
No. of Bars	77	78	79	80	81	82	83								
3/16" Bars	33-7/16	33-7/8	34-5/16	34-3/4	35-3/16	35-5/8	36-1/16								

**Add 1/4" for extended cross bars. Deduct 1/16" for 1/8" bearing bars. Standard panel widths indicated in teal.

Panel Width Chart (in.) - 7-SGI-4 & 7-SGI-2 Dimensions Are Out-to-Out of Bearing Bars**

No. of Bars	2	3	4	5	6	7	8	9	10	11	12	13	14	15	16
1/4" Flange	11/16	1-1/8	1-9/16	2	2-7/16	2-7/8	3-5/16	3-3/4	4-3/16	4-5/8	5-1/16	5-1/2	5-15/16	6-3/8	6-13/16
No. of Bars	17	18	19	20	21	22	23	24	25	26	27	28	29	30	31
1/4" Flange	7-1/4	7-11/16	8-1/8	8-9/16	9	9-7/16	9-7/8	10-5/16	10-3/4	11-3/16	11-5/8	12-1/16	12-1/2	12-15/16	13-3/8
No. of Bars	32	33	34	35	36	37	38	39	40	41	42	43	44	45	46
1/4" Flange	13-13/16	14-1/4	14-11/16	15-1/8	15-9/16	16	16-7/16	16-7/8	17-5/16	17-3/4	18-3/16	18-5/8	19-1/16	19-1/2	19-15/16
No. of Bars	47	48	49	50	51	52	53	54	55	56	57	58	59	60	61
1/4" Flange	20-3/8	20-13/16	21-1/4	21-11/16	22-1/8	22-9/16	23	23-7/16	23-7/8	24-5/16	24-3/4	25-3/16	25-5/8	26-1/16	26-1/2
No. of Bars	62	63	64	65	66	67	68	69	70	71	72	73	74	75	76
1/4" Flange	26-15/16	27-3/8	27-13/16	28-1/4	28-11/16	29-1/8	29-9/16	30	30-7/16	30-7/8	31-5/16	31-3/4	32-3/16	32-5/8	33-1/16
No. of Bars	77	78	79	80	81	82	83								
1/4" Flange	33-1/2	33-15/16	34-3/8	34-13/16	35-1/4	35-11/16	36-1/8								

**Bar thickness is 1/4" at top and bottom. Add 1/4" for extended cross bars. Standard panel widths indicated in teal.



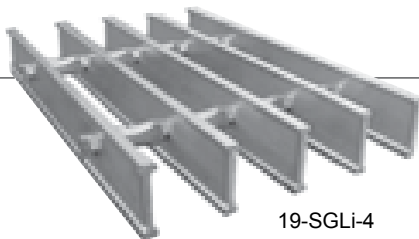
SGLi SERIES

BENEFITS:

- 20% Lighter
- Reduces Freight Cost
- Meets ADA Requirements
- More Economical
- Meets NAAMM Standards
- Easy Field Installation

APPLICATIONS:

- Walkways
- Entranceways
- Vents / Air Grilles
- Ceiling Tiles
- Sun Screens
- Material Screens
- Security Screens



19-SGLi-4



7-SGLi-4

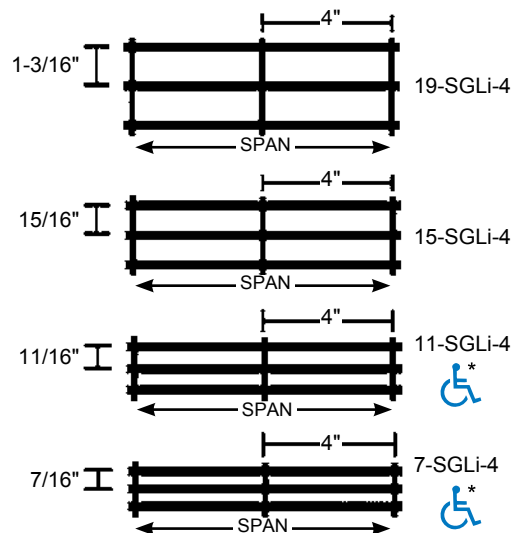
End view ►



GRATING PROFILES AVAILABLE...

SGLi SERIES Aluminum **LiTEBAR**®

All profiles shown below are also available with 2" cross bar centers. Product numbers would be 19-SGLi-2, 15-SGLi-2, 11-SGLi-2 and 7-SGLi-2



*Note: Conforms with the spacing requirements of ADA (July 1991) when installed with the elongated opening perpendicular to the dominant direction of travel. See ADA Guidelines

19 & 15 SPACE LOAD TABLES

Visit http://www.ohiogratings.com/prod_specs.html for full product specifications.

LOAD TABLE for 19-SGLi-4 & 19-SGLi-2

Bar Size, Inches	Ped Span, Inches	Wt.* Lbs. Sq. Ft.	Sec. Prop Sx*, in ² Ix*, in ⁴	ClearSpan															
				1'- 0"	1'- 6"	2'- 0"	2'- 6"	3'- 0"	3'- 6"	4'- 0"	4'- 6"	5'- 0"	5'- 6"	6'- 0"	6'- 6"	7'- 0"	8'- 0"		
3/4"	33	1.36	.119	U	952	423	238	152	106	78	60								
				D	.043	.096	.171	.268	.386	.525	.685								
				C	476	317	238	190	159	136	119								
1"	40	1.66	.211	U	1688	750	422	270	188	138	106	83							
				D	.034	.077	.137	.214	.308	.420	.548								
				C	844	563	422	338	281	241	211	188							
1-1/4"	48	1.97	.339	U	2712	1205	678	434	301	221	170	134	108						
				D	.027	.062	.110	.172	.247	.337	.440	.557	.687						
				C	1356	904	678	542	452	387	339	301	271						
1-1/2"	54	2.27	.464	U	3712	1650	928	594	412	303	232	183	148	123					
				D	.023	.052	.092	.144	.207	.282	.368	.466	.575	.696					
				C	1856	1237	928	742	619	530	464	412	371	337					
2"	67	2.95	.845	U	6760	3004	1690	1082	751	552	423	334	270	223	188	160	138	106	
				D	.017	.039	.070	.109	.157	.214	.279	.354	.437	.528	.629	.738	.856	1.118	
				C	3380	2253	1690	1352	1127	966	845	751	676	615	563	520	483	423	
2-1/2"	79	3.59	1.322	U	10577	4701	2644	1692	1175	863	661	522	423	350	294	250	216	165	
				D	.014	.032	.056	.088	.126	.172	.225	.285	.351	.425	.506	.594	.689	0.899	
				C	5288	3526	2644	2115	1763	1511	1322	1175	1058	962	881	814	755	661	
			1.694	D	.011	.025	.045	.070	.101	.138	.180	.228	.281	.340	.405	.475	.551	0.719	

% Open Area	
4" cc	80%
2" cc	77%

See Panel Width Charts on page 13

LOAD TABLE for 15-SGLi-4 & 15-SGLi-2

Bar Size, Inches	Ped Span, Inches	Wt.* Lbs. Sq. Ft.	Sec. Prop Sx*, in ² Ix*, in ⁴	ClearSpan														
				1'- 0"	1'- 6"	2'- 0"	2'- 6"	3'- 0"	3'- 6"	4'- 0"	4'- 6"	5'- 0"	5'- 6"	6'- 0"	6'- 6"	7'- 0"	8'- 0"	
3/4"	35	1.62	.151	U	1208	537	302	193	134	99	76							
				D	.043	.097	.173	.270	.388	.529	.690							
				C	604	403	302	242	201	173	151							
1"	43	2.00	.268	U	2144	953	536	343	238	175	134	106						
				D	.034	.076	.136	.212	.306	.416	.544	.688						
				C	1072	715	536	429	357	306	268	238						
1-1/4"	50	2.38	.429	U	3432	1525	858	549	381	280	215	169	137					
				D	.027	.062	.110	.171	.246	.335	.438	.555	.685					
				C	1716	1144	858	686	572	490	429	381	343					
1-1/2"	57	2.77	.588	U	4704	2091	1176	753	523	384	294	232	188	156				
				D	.023	.052	.092	.144	.207	.282	.368	.466	.575	.696				
				C	2352	1568	1176	941	784	672	588	523	470	428				
2"	71	3.63	1.070	U	8560	3804	2140	1370	951	699	535	423	342	283	238	203	175	134
				D	.017	.039	.070	.109	.157	.214	.279	.354	.437	.528	.629	.738	.856	1.118
				C	4280	2853	2140	1712	1427	1223	1070	951	856	778	713	658	611	535
2-1/2"	84	4.45	1.675	U	13398	5954	3349	2144	1489	1094	837	662	536	443	372	317	273	209
				D	.014	.032	.056	.088	.126	.172	.225	.285	.351	.425	.506	.594	.689	.899
				C	6699	4466	3349	2680	2233	1914	1675	1489	1340	1218	1116	1031	957	837
			2.145	D	.011	.025	.045	.070	.101	.138	.180	.228	.281	.340	.405	.475	.551	.719

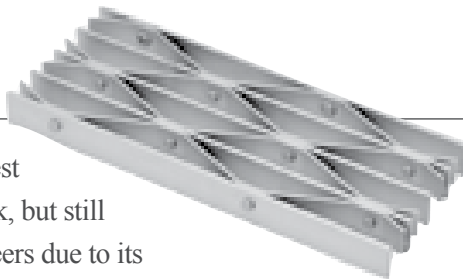
% Open Area	
4" cc	76%
2" cc	73%

See Panel Width Charts on page 15

ALUMINUM RIVETED

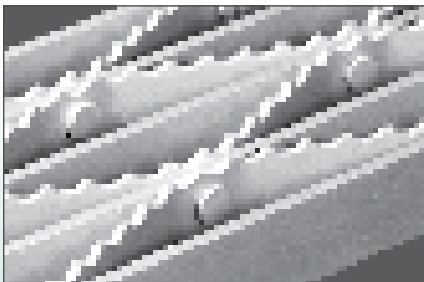


AR SERIES



Riveted grating is the oldest style of industrial footwalk, but still the choice of many engineers due to its ruggedness, reliability and durability. This grating is composed of straight bearing bars, and bent connecting bars, which are joined at their contact points by rivets. Since the connecting bars extend continuously between bearing bars along the grating spans, they not only serve to join the bearing bars together, but also contribute to the load carrying capability and lateral stability of the grating panels. This added dimension makes riveted grating an

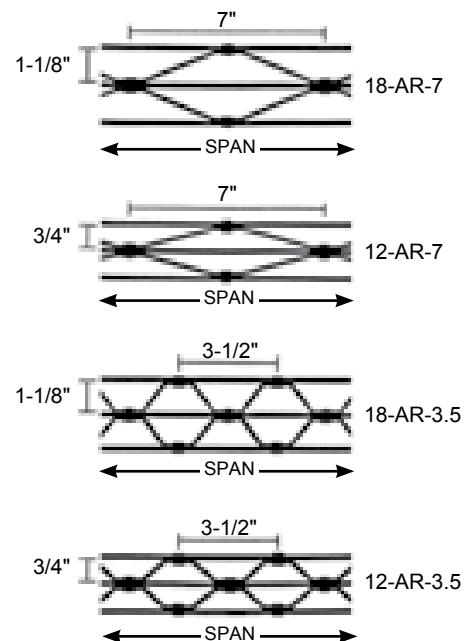
ideal choice where high strength and stiffness are required. Slip resistant surfaces are available.



◀ **Aluminum Riveted Serrated Grating also available**

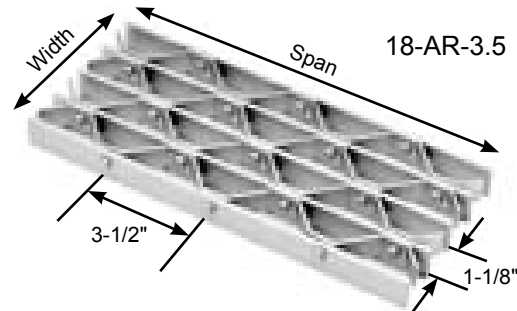
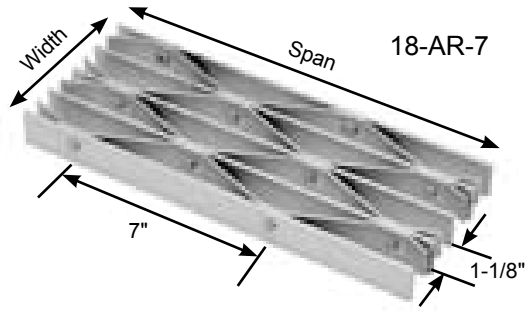
GRATING PROFILES AVAILABLE...

AR SERIES Aluminum Riveted



18-AR-7 & 18-AR-3-1/2

Visit http://www.ohiogratings.com/prod_specs.html for full product specifications.



Bar Size, Inches	Ped Span, Inches	Wt.* Lbs. Sq. Ft.	Sec. Prop Sx*, in ³	Ix*, in ⁴	ClearSpan																					
					2'- 0"	2'- 6"	3'- 0"	3'- 6"	4'- 0"	4'- 6"	5'- 0"	5'- 6"	6'- 0"	6'- 6"	7'- 0"	8'- 0"										
1 x 1/8	41	2.70	0.242	U	484	310	215	158																		
				D	0.144	0.225	0.324	0.441																		
				C	484	387	323	277																		
1 x 3/16	45	3.30	0.363	U	726	465	323	237	182																	
				D	0.144	0.225	0.324	0.441	0.577																	
				C	726	581	484	415	363																	
1-1/4 x 1/8	48	3.10	0.378	U	757	484	336	247	189	149																
				D	0.115	0.180	0.259	0.353	0.460	0.581																
				C	757	605	504	432	378	336																
1-1/4 x 3/16	53	3.80	0.567	U	1135	726	504	371	284	224																
				D	0.115	0.180	0.259	0.353	0.461	0.583																
				C	1135	908	757	648	567	504																
1-1/2 x 1/8	55	3.40	0.545	U	1089	697	484	356	272	215	174															
				D	0.096	0.150	0.216	0.294	0.383	0.486	0.599															
				C	1089	872	726	623	545	484	436															
1-1/2 x 3/16	61	4.40	0.817	U	1634	1046	726	534	409	323	261	216														
				D	0.096	0.150	0.216	0.294	0.384	0.486	0.599	0.726														
				C	1634	1307	1089	934	817	726	654	594														
1-3/4 x 3/16	69	4.90	1.112	U	2224	1424	989	726	556	439	356	294	247													
				D	0.082	0.129	0.185	0.252	0.329	0.416	0.514	0.622	0.740													
				C	2224	1779	1483	1271	1112	989	890	809	741													
2 x 3/16	76	5.80	1.453	U	2905	1859	1291	949	726	574	465	384	323	275												
				D	0.072	0.112	0.162	0.221	0.288	0.365	0.450	0.544	0.648	0.760												
				C	2905	2324	1937	1660	1453	1291	1162	1056	968	894												
2-1/4 x 3/16	83	6.40	1.838	U	3677	2353	1634	1201	919	726	588	486	409	348	300											
				D	0.064	0.100	0.144	0.196	0.256	0.324	0.400	0.484	0.577	0.676	0.784											
				C	3677	2942	2451	2101	1838	1634	1471	1337	1226	1131	1051											
2-1/2 x 3/16	90	6.90	2.270	U	4539	2905	2018	1482	1135	897	726	600	504	430	371	284										
				D	0.058	0.090	0.130	0.176	0.230	0.292	0.360	0.435	0.518	0.609	0.706	0.823										
				C	4539	3632	3026	2594	2270	2018	1816	1651	1513	1397	1297	1135										
2-1/2 x 3/16	90	6.90	2.837	U	4539	2905	2018	1482	1135	897	726	600	504	430	371	284										
				D	0.046	0.072	0.104	0.141	0.184	0.233	0.288	0.349	0.415	0.487	0.564	0.737										
				C	4539	3632	3026	2594	2270	2018	1816	1651	1513	1397	1297	1135										

U - Safe uniform load in pounds/sq. ft.
C - Safe concentrated load in pounds/ft. grating width
D - Deflection in inches

Loads and deflections given in this table are theoretical, and are based on a unit stress of 12,000 psi.

% Open Area*		
Bars	1/8"	3/16"
7" cc	78%	74%
3-1/2" cc	77%	73%

BB Size, Inches	CB Size, in. All Spacings
Thru 1-3/4	3/4 x 1/8
2 - 2-1/2	1 x 1/8

* Based on 11.621 bars/ft. of grating width. Bearing bars 1-1/8" face-to-face, connecting bars riveted 7" c.c. Add .2 lbs./sq. ft. for 18-AR-3-1/2. Note: Grating for spans to the left of the heavy line have a deflection less than 1/4" for uniform loads of 100 lbs./sq. ft. This is the maximum deflection to afford pedestrian comfort and can be exceeded for other types of load at the discretion of the engineer. The actual Ped (pedestrian) Span under this condition is shown above for each size of grating.

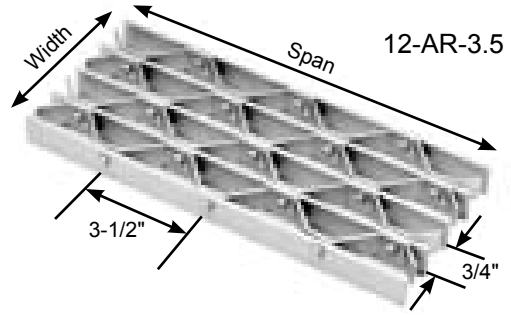
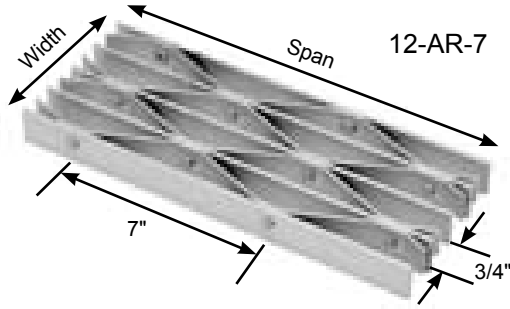
Panel Width Chart (in.) - 18-AR-7 & 18-AR-3-1/2 Dimensions Are Out-to-Out of Bearing Bars**

No. of Bars	2	3	4	5	6	7	8	9	10	11	12	13	14	15	16
3/16" Bars	1-1/2	2-13/16	4-1/8	5-7/16	6-3/4	8-1/16	9-3/8	10-11/16	12	13-5/16	14-5/8	15-15/16	17-1/4	18-9/16	19-7/8
No. of Bars	17	18	19	20	21	22	23	24	25	26	27	28			
3/16" Bars	21-3/16	22-1/2	23-13/16	25-1/8	26-7/16	27-3/4	29-1/16	30-3/8	31-11/16	33	34-5/16	35-5/8			

**Add 1/4" for rivet heads. Deduct 1/16" for each 1/8" bearing bar. Standard panel widths indicated in teal.

12-AR-7 & 12-AR-3-1/2

Visit http://www.ohiogratings.com/prod_specs.html for full product specifications.



Bar Size, Inches	Ped Span, Inches	Wt.* Lbs. Sq. Ft.	Sec. Prop Sx*, in ³ lx*, in ⁴	ClearSpan														
				2'- 0"	2'- 6"	3'- 0"	3'- 6"	4'- 0"	4'- 6"	5'- 0"	5'- 6"	6'- 0"	6'- 6"	7'- 0"	8'- 0"			
1 x 3/16	49	4.50	0.508	U	1017	651	452	332	254	201	U - Safe uniform load in pounds/sq. ft. C - Safe concentrated load in pounds/ft. grating width D - Deflection in inches Loads and deflections given in this table are theoretical and are based on a unit stress of 12,000 psi.							
				D	0.144	0.225	0.324	0.441	0.576	0.730								
			0.254	C	1017	813	678	581	508	452								
				D	0.115	0.180	0.259	0.353	0.460	0.583								
1-1/4 x 3/16	58	5.30	0.794	U	1589	1017	706	519	397	314	254	% Open Area* 7" cc 65% 3-1/2" cc 64%						
				D	0.115	0.180	0.259	0.353	0.461	0.584	0.719							
			0.496	C	1589	1271	1059	908	794	706	636							
				D	0.092	0.144	0.207	0.282	0.368	0.466	0.576							
1-1/2 x 3/16	67	6.10	1.144	U	2288	1464	1017	747	572	452	366	303	254					
				D	0.096	0.150	0.216	0.294	0.384	0.486	0.600	0.727	0.863					
			0.858	C	2288	1830	1525	1307	1144	1017	915	832	763					
				D	0.077	0.120	0.173	0.235	0.307	0.389	0.480	0.581	0.692					
1-3/4 x 3/16	75	6.80	1.557	U	3114	1993	1384	1017	778	615	498	412	346	295				
				D	0.082	0.129	0.185	0.252	0.329	0.416	0.514	0.623	0.741	0.870				
			1.362	C	3114	2491	2076	1779	1557	1384	1246	1132	1038	958				
				D	0.066	0.103	0.148	0.202	0.263	0.333	0.412	0.498	0.592	0.695				
2 x 3/16	83	8.10	2.034	U	4067	2603	1808	1328	1017	803	651	538	452	385	332			
				D	0.072	0.112	0.162	0.220	0.288	0.364	0.450	0.545	0.648	0.760	0.882			
			2.034	C	4067	3254	2712	2324	2034	1808	1627	1479	1356	1251	1162			
				D	0.058	0.090	0.130	0.176	0.230	0.292	0.360	0.436	0.518	0.608	0.706			
2-1/4 x 3/16	90	8.90	2.574	U	5148	3294	2288	1681	1287	1017	824	681	572	487	420	322		
				D	0.064	0.100	0.144	0.196	0.256	0.324	0.400	0.484	0.576	0.676	0.784	1.025		
			2.896	C	5148	4118	3432	2941	2574	2288	2059	1872	1716	1584	1471	1287		
				D	0.051	0.080	0.115	0.157	0.205	0.259	0.320	0.387	0.461	0.541	0.627	0.819		
2-1/2 x 3/16	98	9.60	3.178	U	6355	4067	2824	2075	1589	1255	1017	840	706	602	519	397		
				D	0.058	0.090	0.130	0.176	0.230	0.292	0.360	0.435	0.518	0.609	0.706	0.921		
			3.972	C	6355	5084	4237	3631	3178	2824	2542	2311	2118	1955	1816	1589		
				D	0.046	0.072	0.104	0.141	0.184	0.233	0.288	0.348	0.415	0.487	0.565	0.737		

*Based on 16.269 bars/ft. of grating width. Bearing bars 3/4" face-to-face, connecting bars riveted 7" c.c. Add .2 lbs./sq. ft. for 12-AR-3-1/2. 1/8" by inquiry. Note: Grating for spans to the left of the heavy line have a deflection less than 1/4" for uniform loads of 100 lbs./sq. ft. This is the maximum deflection to afford pedestrian comfort and can be exceeded for other types of load at the discretion of the engineer. The actual Ped (pedestrian) Span under this condition is shown above for each size of grating.

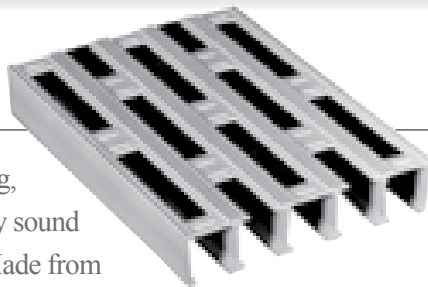
No. of Bars	2	3	4	5	6	7	8	9	10	11	12	13	14	15	16
3/16" Bars	1-1/8	2-1/16	3	3-15/16	4-7/8	5-13/16	6-3/4	7-11/16	8-5/8	9-9/16	10-1/2	11-7/16	12-3/8	13-5/16	14-1/4
No. of Bars	17	18	19	20	21	22	23	24	25	26	27	28	29	30	31
3/16" Bars	15-3/16	16-1/8	17-1/16	18	18-15/16	19-7/8	20-13/16	21-3/4	22-11/16	23-5/8	24-9/16	25-1/2	26-7/16	27-3/8	28-5/16
No. of Bars	32	33	34	35	36	37	38	39							
3/16" Bars	29-1/4	30-3/16	31-1/8	32-1/16	33	33-15/16	34-7/8	35-13/16							

**Add 1/4" for rivet heads. Deduct 1/16" for each 1/8" bearing bar. Standard panel widths indicated in teal.

ALUMINUM PLANK



PLANK

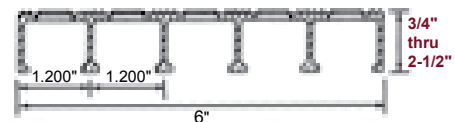


As an alternative to bar grating, aluminum plank is structurally sound and cosmetically attractive. Made from extruded aluminum, plank grating is relatively maintenance free and has no parts to work loose or splinter. The surface can be provided unpunched or with a variety of punch patterns for the passage of air, light, heat or moisture. A diagonal pattern is also available which meets the ADA requirements for wheelchair accessibility and high heel foot traffic.

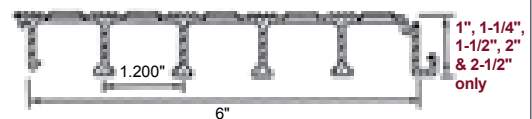
The interconnecting webs offer a flush top walking surface for maximum foot contact and comfort. Plank can be used as an alternative to applications requiring open grating with plate attached to the top surface. Aluminum Plank is used at waste water treatment plants, for entranceways, walkways, bridges, trails, marine refrigeration, stadiums and more.

PLANK SECTION AVAILABILITY...

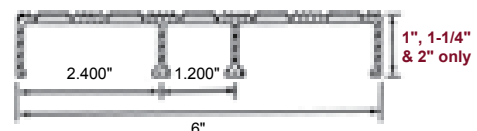
Heavy Duty (Plain Sides)



Heavy Duty (Interlocking Sides)



Light Series (Plain Sides)



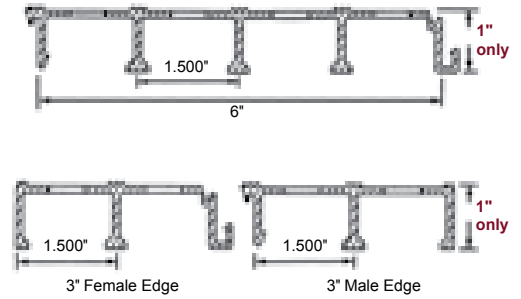
ALUMINUM PLANK

PLANK SECTION AVAILABILITY (continued)...

Aluminum plank grating is available in five cross-sectional designs: Heavy Duty (plain sides/interlocking sides), Light Series (plain sides) and Reefer (interlocking sides). The Heavy Duty sections are used primarily in the water and waste treatment markets and the marine market, while the Light Series and Reefer sections are used exclusively in the marine refrigerated stores application. Interlocking Heavy Duty and Reefer sections and edge sections are available in 1" deep grating only.

NOTE: Plank is also available in a Pivot-Lock interlocking design by special request.

Reefer (Interlocking Sides)



PUNCH PATTERN GUIDE

Aluminum plank grating is available unpunched or with a variety of punch patterns as shown. Rectangular or square punched holes are most commonly used for water and waste treatment plants and in marine applications.



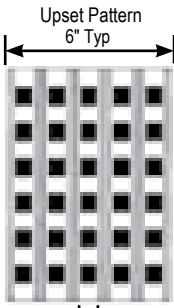
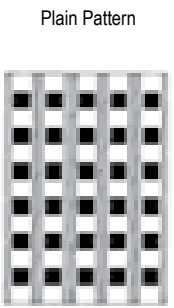
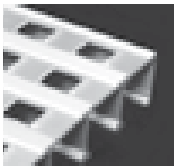

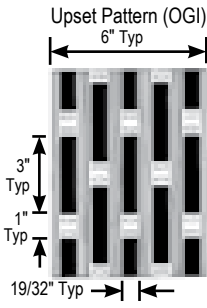
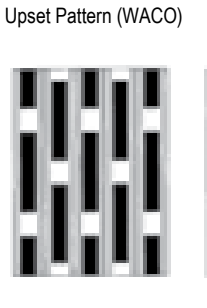




The surface of plank grating can be specified as plain or with one of two styles of upsets (OGI or WACO) designed to promote a slip resistant walkway, especially in the presence of moisture, oil or other spilled substances.

All of our Diagonal Punched Patterns meet ADA specifications for high heel and wheelchair traffic.

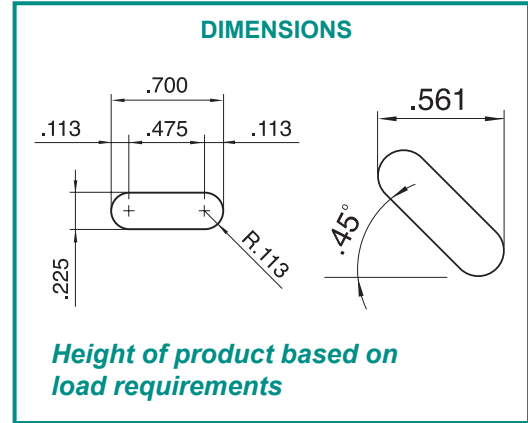
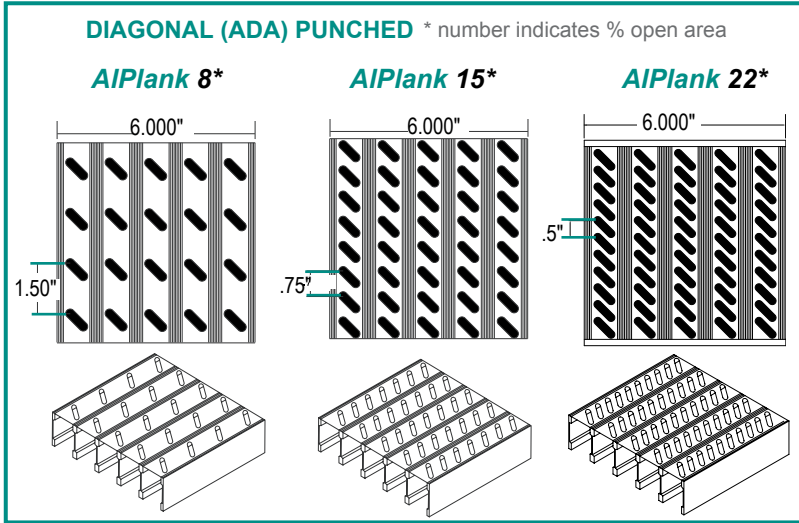


Upset Pattern (OGI)

*Alternate for plate covered aluminum grating

<h3>UNPUNCHED</h3> <p>6" Typ</p>   <p>HEAVY DUTY, LIGHT SERIES</p>	<h3>SQUARE PUNCHED</h3> <p>Upset Pattern 6" Typ Plain Pattern</p>   <p>19/32" Typ</p>   <p>HEAVY DUTY, LIGHT SERIES</p>		<h3>RECTANGULAR PUNCHED</h3> <p>Upset Pattern (OGI) Upset Pattern (WACO) Plain Pattern</p> <p>6" Typ</p>       <p>HEAVY DUTY, LIGHT SERIES</p>		
--	--	--	--	--	--

ALUMINUM PLANK



NOTE: Other non-ADA punch styles (round, oval slot and dog bone) are available by special request.

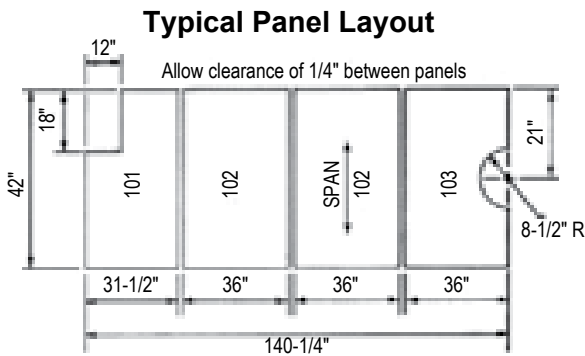
PLANK FABRICATION

Aluminum plank grating is available in 20' or 26' lengths for customer fabrication, or as fabricated by Ohio Gratings according to customer plans and specifications.

Individual 6" plank sections can be banded together to form standard panel widths for ease of handling and installation. When the width of the total grating "run" (number of continuous series of panels) does not result in a total measurement evenly divisible by the 6" sections, the last

panel can be fabricated from several whole sections and a partial section according to the panel width chart shown. In order to meet flatness tolerances, fabricated panels must always be end banded, and should not exceed 36" in width.

The two arrows on the typical panel layout show the span direction which runs at right angles to the supporting members. Identical panels have the same mark numbers. Cutouts and banding are charged as extras according to quantity and size.



NOTE: Panels made from 6" sections and partial sections are banded on the ends only. Side bands typically are not furnished, unless specified by the customer.

Panel Width Chart (in.)

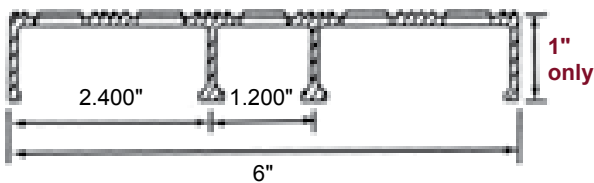
	1-1/2	2-11/16	3-7/8	5-1/8
6	7-1/2	8-11/16	9-7/8	11-1/8
12	13-1/2	14-11/16	15-7/8	17-1/8
18	19-1/2	20-11/16	21-7/8	23-1/8
24	25-1/2	26-11/16	27-7/8	29-1/8
30	31-1/2	32-11/16	33-7/8	35-1/8
36				

LIGHT SERIES LOAD TABLE

Plank Size, Inches	Sec. Prop Sx, in ³ lx, in ⁴	Weight Per Sq. Ft.			ClearSpan						
		Non Punched	Rect. Punched	Square Punched	2'- 0"	2'- 6"	3'- 0"	3'- 6"	4'- 0"	4'- 6"	
1	0.273	2.1	1.7	1.9	U	546	349	242	178	136	107
					D	0.113	0.177	0.254	0.347	0.452	0.570
	0.173				C	546	436	364	312	273	242
					D	0.090	0.141	0.204	0.278	0.363	0.458

NOTE: Contact OGi for load ratings on the 2" size.

Light Series



Note: Grating for spans to the left of the heavy line have a deflection less than 1/4" for uniform loads of 100 lbs./sq. ft. This is the maximum deflection to afford pedestrian comfort and can be exceeded for other types of load at the discretion of the engineer. The actual Ped (pedestrian) Span under this condition is shown above for each size of grating. This grating conforms to MIL-G-18015 (SHIPS).

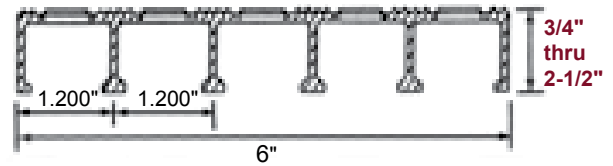
ALUMINUM PLANK

Visit http://www.ohiogratings.com/prod_specs.html for full product specifications.

% Open Area*	
Rect.	37%
Square	23%

% Open Area*	
Round 13/16" Dia.	23%
Round 1" Dia.	26%

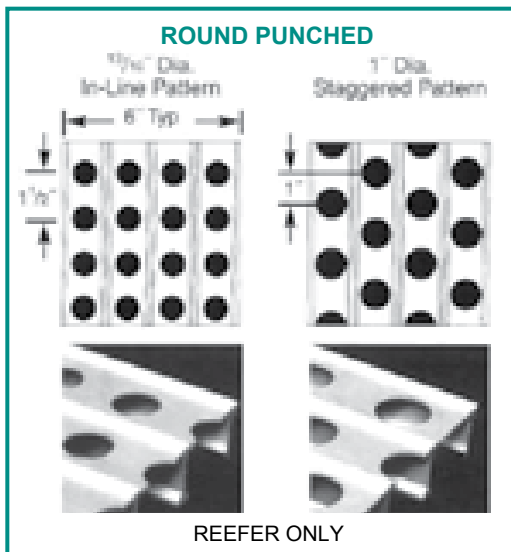
Heavy Duty



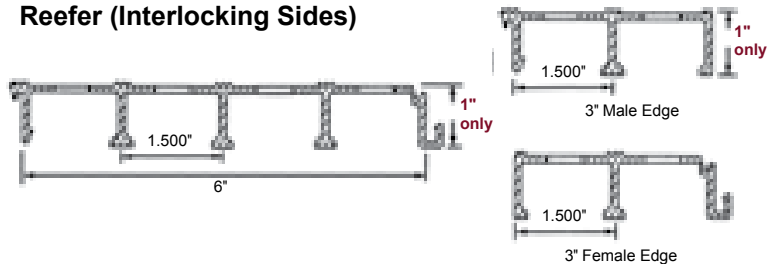
HEAVY DUTY LOAD TABLE

*Based on punched plank.

Plank Size, Inches	Ped Span, Inches	Sec. Prop Sx*, in ³ lx*, in ⁴	Weight Per Sq. Ft.			ClearSpan																	
			Non Punched	Rect. Punched	Square Punched	2'- 0"	2'- 6"	3'- 0"	3'- 6"	4'- 0"	4'- 6"	5'- 0"	5'- 6"	6'- 0"	6'- 6"	7'- 0"	8'- 0"						
3/4	39	0.217	2.2	1.8	2.0	U	435	278	193	142	108	85	69	U - Safe uniform load in pounds/sq. ft. C - Safe concentrated load in pounds/ft. grating width D - Deflection in inches Loads and deflections given in this table are theoretical, and are based on a unit stress of 12,000 psi.									
		D				0.121	0.237	0.342	0.465	0.608	0.770	0.950											
		C				435	348	290	248	217	193	174											
1	49	0.416	2.6	2.2	2.4	U	833	533	370	272	208	164	133						110	92			
		D				0.124	0.193	0.279	0.380	0.496	0.628	0.775	0.938						1.117				
		C				833	666	555	476	416	370	333	302						277				
1-1/4	58	0.732	3.2	2.8	3.0	U	1464	936	650	478	366	289	234						193	162	138	119	91
		D				0.107	0.167	0.241	0.328	0.428	0.542	0.669	0.810						0.964	1.131	1.312	1.714	
		C				1464	1171	976	836	732	650	585	532						488	450	418	366	
1-1/2	67	1.083	3.8	3.4	3.6	U	2167	1387	963	707	541	428	346						286	240	205	176	135
		D				0.090	0.141	0.203	0.277	0.362	0.458	0.566	0.684						0.815	0.956	1.109	1.449	
		C				2167	1734	1445	1238	1083	963	867	788						722	666	619	541	
1-3/4	75	1.496	4.4	4.0	4.2	U	2992	1915	1330	977	748	591	478	395	332	283	244	187					
		D				0.078	0.123	0.177	0.241	0.315	0.398	0.492	0.595	0.708	0.832	0.964	1.260						
		C				2992	2394	1995	1710	1496	1330	1197	1088	997	920	855	748						
2	83	1.987	4.9	4.5	4.7	U	3975	2544	1766	1298	993	785	636	525	441	376	324	248					
		D				0.069	0.108	0.156	0.212	0.277	0.351	0.433	0.524	0.624	0.732	0.849	1.109						
		C				3975	3180	2650	2271	1987	1766	1590	1445	1325	1223	1135	993						
2-1/4	91	2.554	5.5	5.0	5.3	U	5109	3270	2270	1668	1277	1009	817	675	567	483	417	319					
		D				0.061	0.095	0.137	0.187	0.244	0.309	0.382	0.462	0.550	0.646	0.749	0.979						
		C				5109	4087	3406	2919	2554	2270	2043	1858	1703	1572	1459	1277						
2-1/2	97	2.985	5.9	5.5	5.7	U	5971	3821	2654	1949	1492	1179	955	789	663	565	487	373					
		D				0.055	0.086	0.124	0.169	0.221	0.279	0.345	0.418	0.497	0.584	0.677	0.884						
		C				5971	4777	3981	3412	2985	2654	2388	2171	1990	1837	1706	1492						
		3.887				D	0.044	0.069	0.099	0.135	0.176	0.223	0.276	0.334	0.398	0.467	0.541	0.707					



Reffer (Interlocking Sides)



REEFER LOAD TABLE

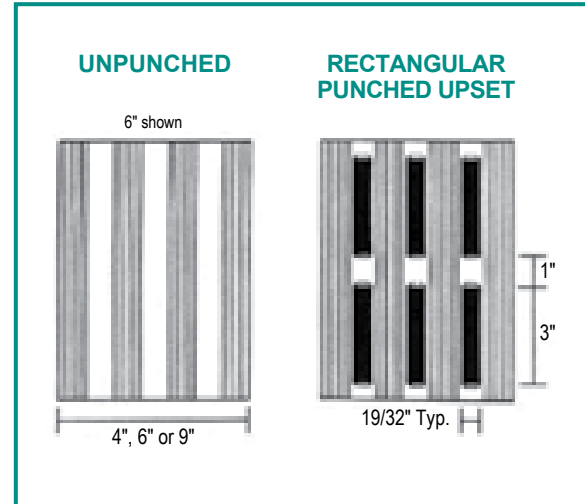
Plank Size, Inches	Sec. Prop Sx*, in ³ lx*, in ⁴	Weight Per Sq. Ft.			ClearSpan						
		Non Punched	13/16" Dia. In-Line	1" Dia. Staggered	2'- 0"	2'- 6"	3'- 0"	3'- 6"	4'- 0"	4'- 6"	
1	0.384	2.8	2.5	2.5	U	768	491	341	250	192	151
					D	0.130	0.203	0.292	0.397	0.521	0.656
	C				768	614	512	438	304	341	
	D				0.104	0.163	0.235	0.319	0.417	0.528	

ALUMINUM PLANK

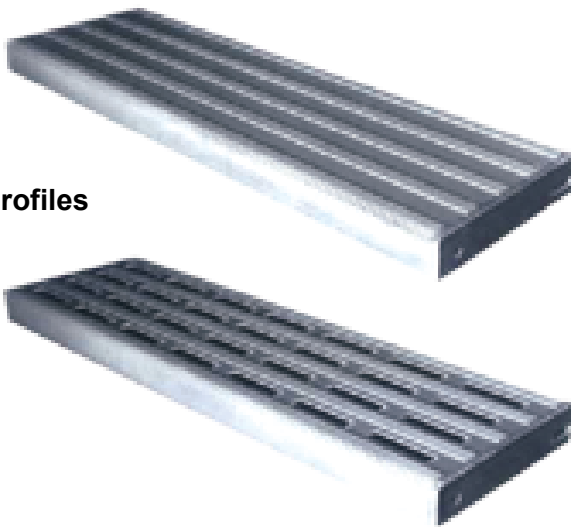
PLANK TYPE "F" TREADS

Aluminum plank stair treads can be furnished as fabricated from full and partial plank sections with end plates and nosings or as individual extrusions with welded end plates, referred to as Type "F" treads. Type "F" treads are produced from a high-strength aluminum alloy, and meet requirements as specified by BuShips Hull Type plan BU-No. 1604-860041. Type "F" treads are 1-3/4" deep and are available in widths of 4", 6" or 9". The top surface can be supplied unpunched, or with a rectangular punched upset pattern. Type "F" treads are generally used for shipboard application, however, they can also provide safe, serviceable steps for ladder in sewage disposal, chemical and power plants, and refineries.

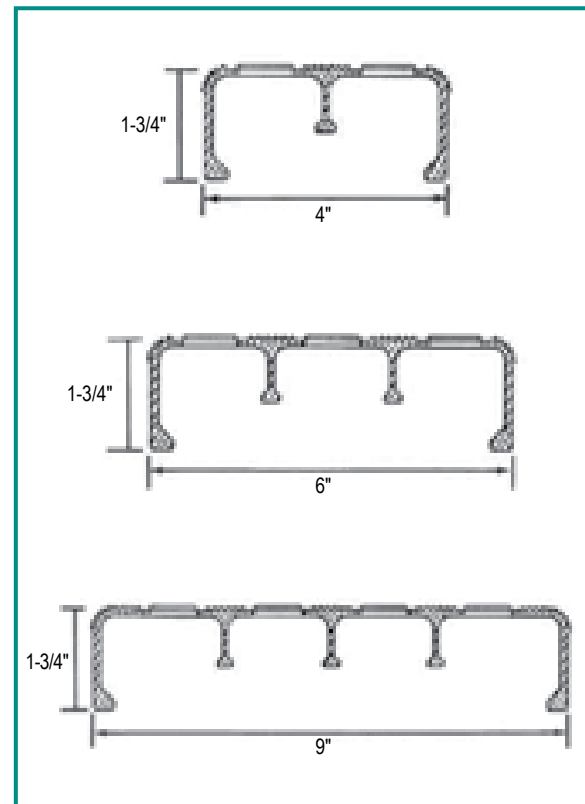
Punch Pattern Availability



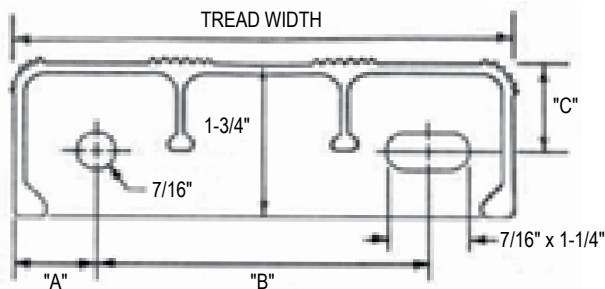
Panel Profiles



Section Availability



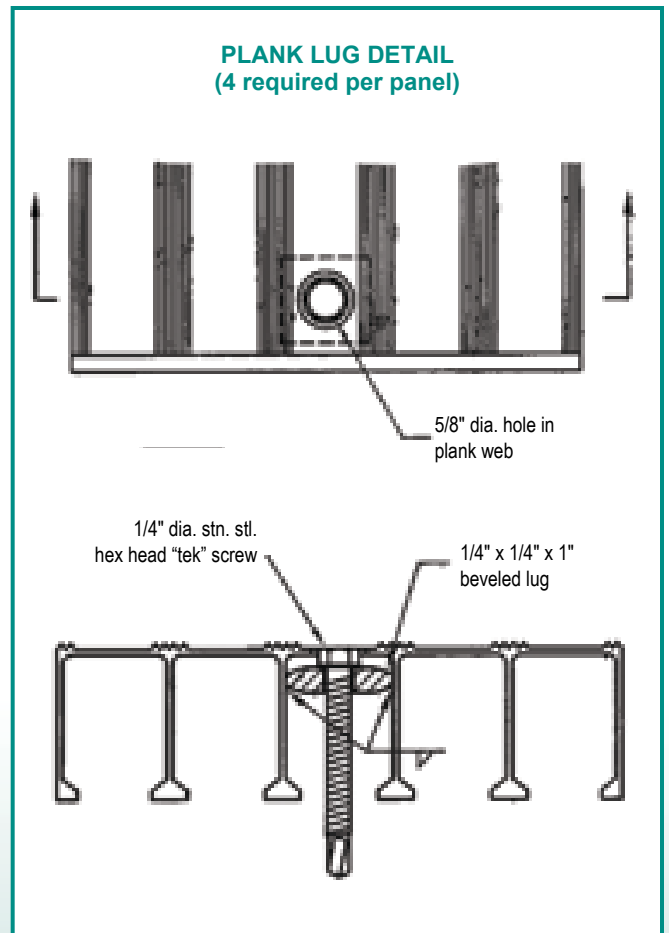
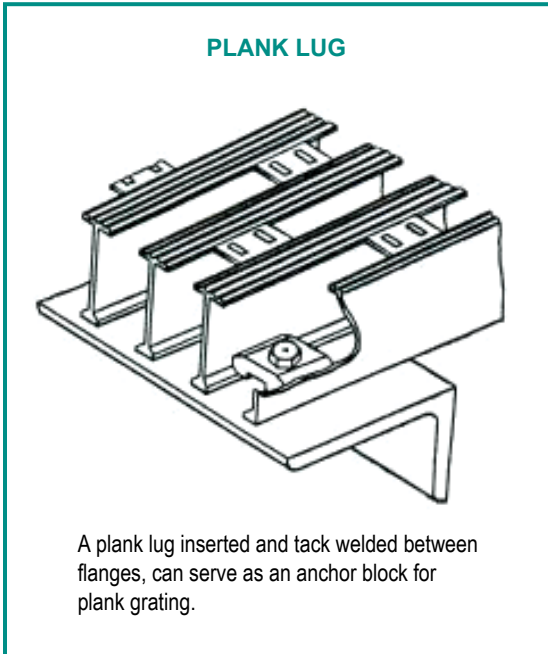
Typical Panel Layout



Tread Width	Lbs. Per Lin. Ft.		Dimensions			Suggested Max. Tread Length
	Unpunched	Punched	"A"	"B"	"C"	
4"	1.48	1.38	1"	2"	1"	3' - 8"
6"	1.90	1.75	1"	4"	1"	4' - 0"
9"	2.72	2.52	1-1/4"	6-1/2"	1"	5' - 1"

ALUMINUM PLANK APPLICATIONS

Plank Applications

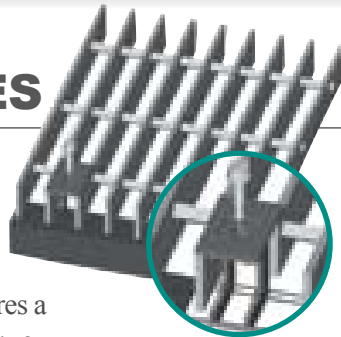


ALUMINUM GRATING FRAMES

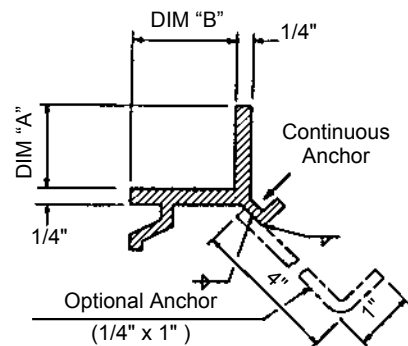


GRATING FRAMES

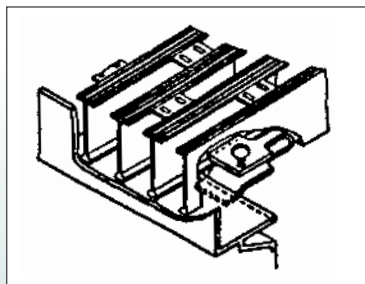
In conjunction with aluminum grating, Ohio Gratings offers an extruded aluminum grating frame for embedded concrete applications. This frame features a continuous ledge to accommodate plank fasteners, grating clamps, or self-tapping screws for other types of fasteners. The continuous anchor can be used alone or with supplementary anchor straps. Angle frame is available fabricated per drawings with mitred and welded corners or in long lengths with prefabricated corners for installation in the field. Frames can be provided



GRATING FRAME DIMENSIONS



GR. SIZE	DIM "A"	DIM "B"
1"	1"	1-1/4"
1-1/4"	1-1/4"	1-1/2"
1-1/2"	1-1/2"	1-3/4"
1-3/4"	1-3/4"	2"
2"	2"	2"
2-1/4"	2-1/4"	2"
2-1/2"	2-1/2"	2"



in the mill finish condition or powder coated to protect surfaces which will come into contact with concrete.

◀ **Plank Grating with E Clip. (Compatible with 1/4" flange thickness. Anchor not shown)**

ALUMINUM GRATING FRAMES

MINI CASE STUDY

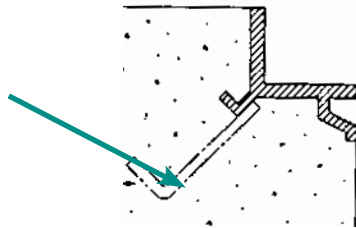
Wastewater Treatment Plant Massillon, OH

The city began a major expansion project in 2002. Once again, aluminum was specified for the walkways in and around the plant. We provided our aluminum plank and “I-Bar” along with our aluminum angle frame.

Angle frame is available (see diagram) with mitred and welded corners. Long lengths are available with prefabricated corners for handy installations in the field (miscellaneous steel fabricators prefer aluminum for this reason in addition to the fact that it is lightweight, flexible and easily altered in the field).

Frames can be provided in mill finish or with a powder coat finish to protect surfaces that are in direct contact with concrete.

Optional Anchor

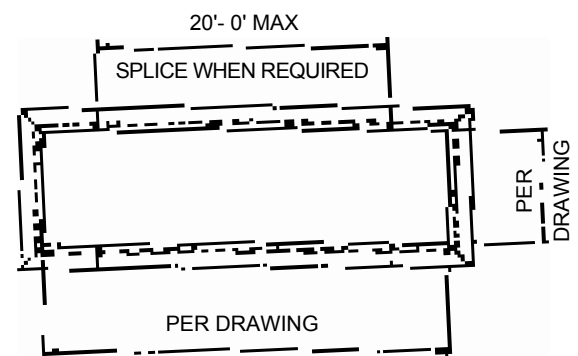


Fabrication Guidelines

Frame sections can be purchased in stock lengths for customer fabrication or can be fabricated by Ohio Gratings for immediate installation in the field.

The following Guidelines apply to Fabricated Frames

1. All corners are mitred at 45 degrees and welded on the back side. Welds are not ground.
2. Nominal small frames (i.e. 1'0" x 1'0" through 5 x 10'0") are made in one piece.
3. Extended trench frames are provided with prefabricated end sections and long lengths shipped loose for field butt joining.
4. Stock lengths are 20'0". Longer lengths are available by request.



Plan View

STAIR TREADS



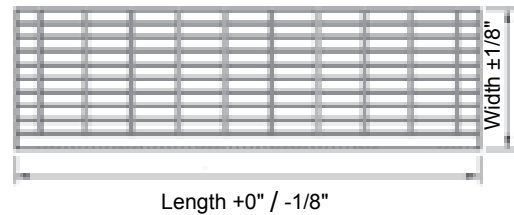
STAIR TREAD

Most grating platform and walkway applications require stair treads to access the various levels that are inherent in most project applications. OGi offers a full range of aluminum, carbon and stainless steel grating tread profiles to meet the various demands in the marketplace. Whether the project requires a standard maintenance access tread or a closer mesh and more pedestrian friendly (ADA) product, OGi can offer a variety of competitive and cost effective products.

Our sales team and engineering support group can help with product specifications regarding slip resistance surfaces (serrated, **AlGrip™**, **SlipNot®**) as well as selecting the appropriate nosing for the tread to meet the needs of the client. Nosing options are shown on pages 36 and 37 for both steel and aluminum products along with tread details of each of the material types including the slip resistant options. Stair treads are available with equal end dimensions for cross bar alignment.

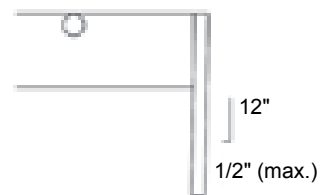
SlipNot® is registered trademark with WS Molnar Company. AlGrip™ is a trademark of Ross Technologies.

STAIR TREAD TOLERANCES



Overall Dimensional Tolerances

Note: Length of Tread is distance between outer faces of Carrier Plates.

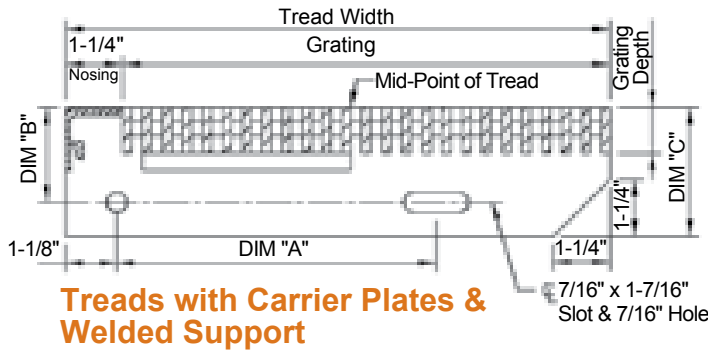
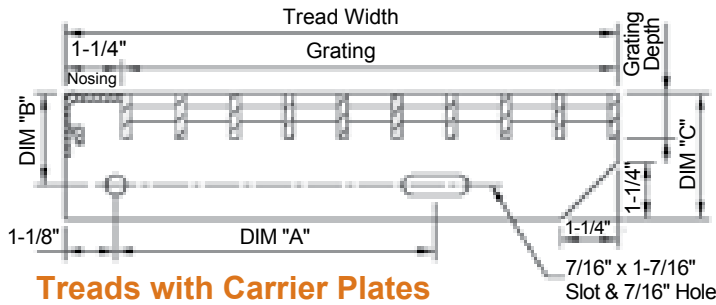


Carrier Plate Lean

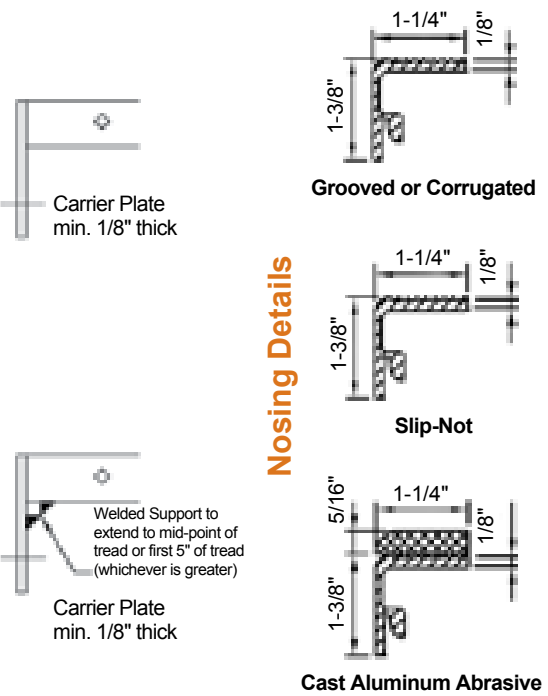
STAIR TREADS

Visit http://www.ohiogratings.com/prod_specs.html for full product specifications.

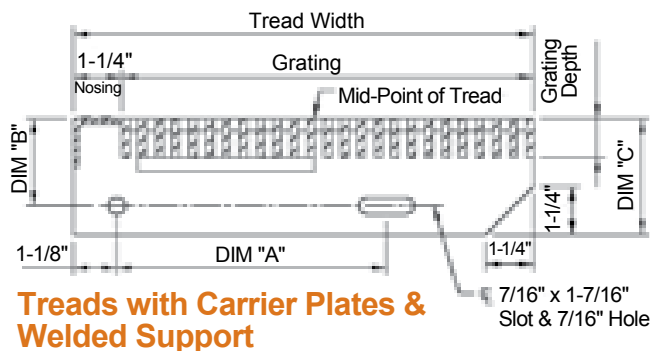
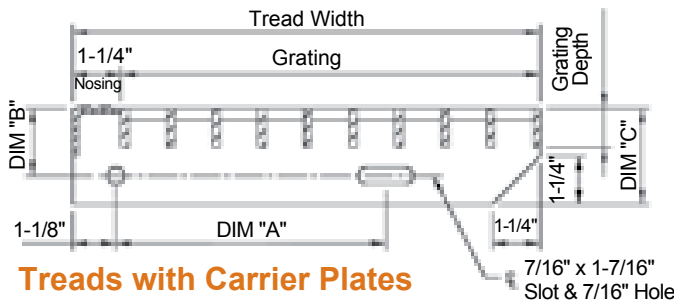
ALUMINUM STAIR TREAD DETAILS



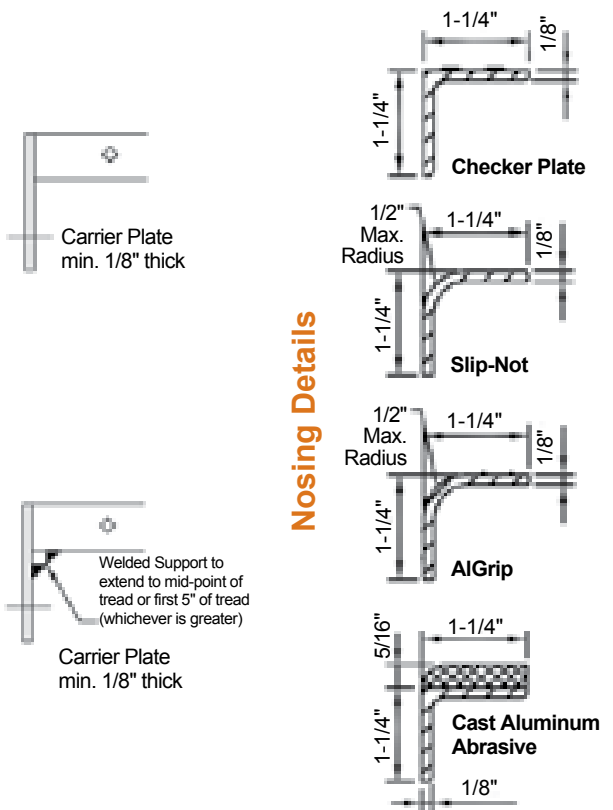
For Close Mesh Grating, 7 & 11 spaced grating. 8 Spacing (1/2" c.c.) available upon request. Please call for details.



STEEL STAIR TREAD DETAILS



For Close Mesh Grating, 7 & 11 spaced grating. 8 Spacing (1/2" c.c.) available upon request. Please call for details.

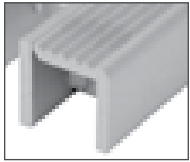


STAIR TREADS

Visit http://www.ohiogratings.com/prod_specs.html for full product specifications.

ALUMINUM STAIR TREAD

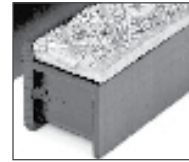
SlipNot® is registered trademark with WS Molnar Company. AlGrip™ is a trademark of Ross Technologies.



◀ **Grooved Nosing**
Standard on Aluminum Treads



◀ **Slip-Not® Nosing**
is Optional on Aluminum Treads



◀ **Abrasive Nosing**
is Optional on Aluminum Treads

Standard Tread Widths¹

# of bearing bars	Width (includes nosing)					DIM "A"
	SG, SDF, ADT Series	SGI Series	SGLi Series	AR Series	Plank Series	
5	6-3/16"	6-1/4"	6-3/16"	6-11/16"	6-3/8"	2-1/2"
6	7-3/8"	7-7/16"	7-3/8"	8"	7-1/4"	4-1/2"
7	8-9/16"	8-5/8"	8-9/16"	9-5/16"	8-3/4"	4-1/2"
8	9-3/4"	9-13/16"	9-3/4"	10-5/8"	9-15/16"	7"
9	10-15/16"	11"	10-15/16"	11-15/16"	11-1/8"	7"
10	12-1/8"	12-3/16"	12-1/8"	13-1/4"	12-3/8"	7"

Carrier Plate Dimensions

Grating Depth	DIM "B"	DIM "C"
1"	2-1/4"	3"
1-1/4"	2-1/4"	3"
1-1/2"	2-1/4"	3"
1-3/4"	2-1/4"	3"
2"	3-1/4"	4"
2-1/4"	3-1/4"	4"
2-1/2"	3-1/4"	4"

Max Plank Tread Length²

Grating Depth	Plank ³ Grating
1"	30
1-1/4"	36
1-1/2"	44
1-3/4"	53
2"	63
2-1/4"	66
2-1/2"	70

Maximum Tread Length² (in.)

Bar Size, Inches	SG, SGF, ADT Series Plain Surface				SG, SGF, ADT Series Serrated Surface				SGI Series Striated Surface				SGLi Series Striated Surface			
	19 1-3/16" c.c.	15 15/16" c.c.	11 11/16" c.c.	7 7/16" c.c.	19 1-3/16" c.c.	15 15/16" c.c.	11 11/16" c.c.	7 7/16" c.c.	19 1-3/16" c.c.	15 15/16" c.c.	11 11/16" c.c.	7 7/16" c.c.	19 1-3/16" c.c.	15 15/16" c.c.	11 11/16" c.c.	7 7/16" c.c.
1 x 1/8	24	27	28	32	21	24	26	28								
1 x 3/16	28	30	32	36	26	27	28	32					24	28	29	34
1 x 1/4	31	33			27	29			28	30	32	36				
1-1/4 x 1/8	30	32	34	40	28	30	31	36								
1-1/4 x 3/16	34	37	40	47	31	33	36	41					31	34	36	43
1-1/4 x 1/4	38	41			34	37			34	37	40	47				
1-1/2 x 1/8	36	39	42	50	33	36	38	45								
1-1/2 x 3/16	42	46	50	59	38	42	45	53					37	40	43	53
1-1/2 x 1/4	47	52			43	47			42	46	50	59				
1-3/4 x 3/16	51	56	61	66	46	51	55	66								
1-3/4 x 1/4	58	64			52	58			51	56	61	66				
2 x 3/16	61	66	66	68	56	61	66	66					52	57	62	66
2 x 1/4	66	66			63	66			61	66	66	68				
2-1/4 x 3/16	66	66	66	80	66	66	66	74								
2-1/4 x 1/4	66	69			66	66			66	66	66	80				
2-1/2 x 3/16	66	70	77	94	66	66	71	87					66	66	66	82
2-1/2 x 1/4	73	81			67	75			66	70	77	94				

Additional configurations available upon inquiry. 1. Table of widths based on 3/16" thick bearing bars (1/4" I-Bar) and standard 1-3/16" c.c. bar spacing (1-1/8" face-to-face for riveted grating. 2. Maximum tread length based on 300# concentrated load on front 5" of tread at center of tread length and max. D=1/240 of length. Design treads exceeding 66" length for 300# concentrated loads at 1/3 points. Note: Riveted grating treads available upon inquiry. See page 23 for description of Grating Series. 3. Plank Grating is standard Heavy Duty.

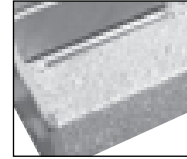
STAIR TREADS

Visit http://www.ohiogratings.com/prod_specs.html for full product specifications.

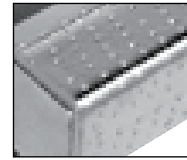
STEEL STAIR TREAD SlipNot® is registered trademark with WS Molnar Company. AlGrip™ is a trademark of Ross Technologies.



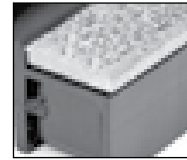
◀ **Checkerplate Nosing is Standard on Steel treads**



◀ **Slip-Not® Nosing is Available on Steel Treads**



◀ **AlGrip™ Nosing is Available & Recommended on Steel Treads**



◀ **Abrasive Nosing is Available on Steel Treads but not recommended**

Maximum Tread Length² (in.)

Bar Size, Inches	W, SGCS, SGSS, DT Series Plain Surface				W, SGCS, SGSS, DT Series Serrated Surface			
	19 1-3/16" c.c.	15 15/16" c.c.	11 11/16" c.c.	7 7/16" c.c.	19 1-3/16" c.c.	15 15/16" c.c.	11 11/16" c.c.	7 7/16" c.c.
1 x 1/8	31	36	41	51	27	30	34	45
1 x 3/16	41	48	51	59	34	40	45	51
1 x 1/4	49	53			42	46		
1-1/4 x 1/8	43	50	56	66	37	43	49	58
1-1/4 x 3/16	56	61	66	66	50	54	58	66
1-1/4 x 1/4	63	66			56	60		
1-1/2 x 1/8	56	65	66	66	49	58	63	66
1-1/2 x 3/16	66	66	66	76	63	66	66	68
1-1/2 x 1/4	66	67			66	66		
1-3/4 x 3/16	66	72	78	95	66	66	71	85
1-3/4 x 1/4	74	82			67	74		
2 x 3/16	78	87	95	115	72	79	86	105
2 x 1/4	89	99			82	91		
2-1/4 x 3/16	92	103	112	136	85	95	103	125
2-1/4 x 1/4	106	118			97	108		
2-1/2 x 3/16	107	119	130	159	100	111	121	148
2-1/2 x 1/4	123	137			114	127		

Carrier Plate Dimensions

Grating Depth	DIM "B"	DIM "C"
1"	1-3/4"	2-1/2"
1-1/4"	1-3/4"	2-1/2"
1-1/2"	2-1/4"	3"
1-3/4"	2-1/4"	3"
2"	3-1/4"	4"
2-1/4"	3-1/4"	4"
2-1/2"	3-1/4"	4"

Standard Tread Widths¹

# of bearing bars	Width (includes nosing)		DIM "A"
	W, SGCS, SGSS, DT Series	R Series	
5	6-3/16"	6-11/16"	2-1/2"
6	7-3/8"	8"	4-1/2"
7	8-9/16"	9-5/16"	4-1/2"
8	9-3/4"	10-5/8"	7"
9	10-15/16"	11-15/16"	7"
10	12-1/8"	13-1/4"	7"

Additional configurations available upon inquiry. 1. Table of widths based on 3/16" thick bearing bars (1/4" I-Bar) and standard 1-3/16" c.c. bar spacing (1-1/8" face-to-face for riveted grating. 2. Maximum tread length based on 300# concentrated load on front 5" of tread at center of tread length and max. D=1/240 of length. Design treads exceeding 66" length for 300# concentrated loads at 1/3 points. Note: Riveted grating treads available upon inquiry. See page 52 for description of Grating Series.

LIGHT DUTY STEEL FEATURES & BENEFITS

Features & Benefits

Light Duty Steel grating is the workhorse of the industrial flooring market, finding applications in conveyor systems, operating plants, highways and bridge platforms and walkways, machinery floors, refineries, tank stairways and walkways, and power plants. The open grid construction of steel grating provides maximum passage for light, air circulation and drainage, while offering low installation and maintenance costs.

Ohio Gratings prides itself on offering the widest selection of Light Duty Steel grating available in the industry. As a stocking, manufacturer and fabricator of electro forge welded steel grating, we inventory a variety of sizes and spacings for shipment in panel form, or for fabrication per plans and specs. OGI specializes in engineering those tough jobs requiring intricate layout and fabrication.

In addition to fabricating standard electro-forged welded steel grating, OGI manufactures and fabricates Dove Tail pressure locked grating, Riveted Steel grating, and Swaged Carbon and Stainless Steel grating. Dove Tail pressure locked, Riveted and Swaged grating offer smoother lines and a more pleasing appearance than the typical welded grating. While still industrial in nature, these grating types may be more appropriate than welded grating for some applications. Please contact the factory for assistance in choosing the right Light Duty Steel grating for your particular application.

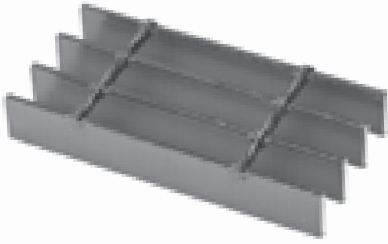


“OGi specializes in complex projects requiring intricate layout and custom fabrication”

Whether the requirement is for stock panels or custom fabrication “Made Right and Shipped When Promised”, Ohio Gratings is the choice of a nationwide base of customers whose primary criteria are quality and service.

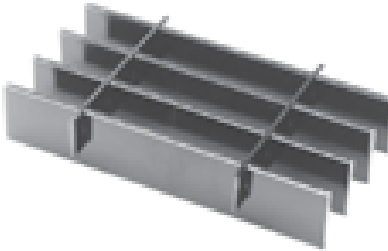


LIGHT DUTY STEEL PRODUCTS



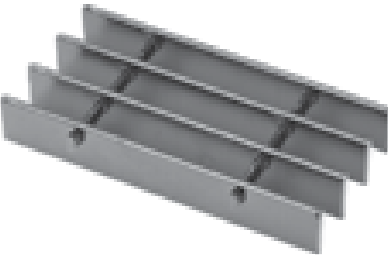
Light Duty Welded Steel

Electro-forging, a machine process combining hydraulic pressure and heat fusion, is the most popular and economical method for manufacturing steel grating panels. OGI offers stock panels for immediate shipment, or custom fabricated sizes. Various spacings, bar depths, finishes, and slip resistant surfaces are available.



Light Duty Steel Dove Tail

Dove tail pressure locked grating offers the high strength and stiffness of welded steel grating along with the smooth, clean lines of a flush top rectangular cross bar. A variety of bar depths, finishes and spacings are available including 1/4" and 1/2" which conform to ADA requirements. Slip resistant finishes available upon request.



Light Duty Swaged Carbon Steel

Swaged Carbon Steel grating is similar in construction to our aluminum bar grating products. Rectangular bearing bars and tubular cross bars are joined together via the swaging process. This process keeps the material free from the warping and weld flash inherent in the electroforging process. This profile offers the same flexibility as our other mechanically locked grating products as to multiple spacings (including ADA requirements), bar depths and finishes. Slip resistant surfaces are also available.



Light Duty Riveted Steel

Riveted grating is the oldest style of bar grating, but still the choice of many engineers due to its reliability and durability. OGI manufactures and fabricates multiple sizes and spacings. Various finishes and slip resistant surfaces are available.



Light Duty PressLock

PressLock products are manufactured on our computer controlled production lines, where the bearing bars are notched and then "locked" with the cross bars at very high pressure. Available in increments of 7/16", PressLock offers a wide variety of mesh openings to match up to the appropriate loading requirements and project application. Various finishes are available.



Light Duty Swaged Stainless Steel

Swaged Stainless Steel is offered in alloys of either Type 304 or 316. As with the swaged grating, this product is also manufactured free of the warping, twisting and burn marks which are characteristic of electroforged stainless grating. A variety of spacing options and bar depths are available, including those that meet ADA Requirements.

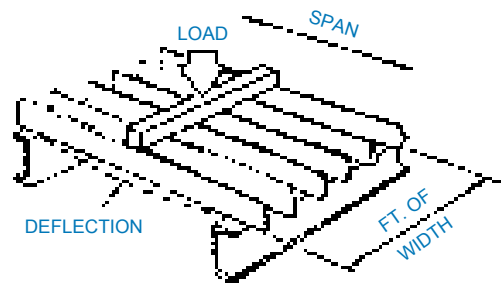
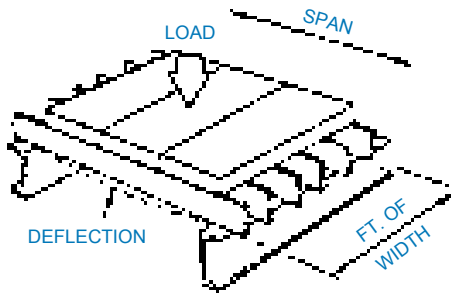
LIGHT DUTY STEEL DESIGN CRITERIA

The tables of safe loads which follow have been computed using the following design parameters:

- U** = Uniform Load - lbs/ft²
- C** = Concentrated Load - lbs/ft of grating width
- S** = Section Modulus - in³/ft of grating width
- I** = Moment of Inertia - in⁴/ft of grating width
- L** = Simple Clear Span - feet
- D** = Deflection - inches
- E** = Modulus of Elasticity (Carbon Steel = 29,000,000 psi, T-304 and T-316 Stainless Steel = 28,000,000 psi)
- F** = Allowable Bending Stress (Carbon Steel = 18,000 psi, T-304 and T-316 Stainless Steel = 20,000 psi)
- M** = Bending Moment

Design Service

Available at no charge to the specifying architect/engineer or fabricator, is access to a computer program which provides uniform load and deflection (actual or fraction of span) analysis of grating products. Just call, write or fax your design criteria – loading, span, allowable deflection, or grating size desired – and we will provide you with the information you require.



	Uniform Load	Concentrated Load
Step 1. Determine M:	$M = \frac{FS}{12}$	$M = \frac{FS}{12}$
Step 2. Determine U or C:	$U = \frac{8M}{L^2}$	$C = \frac{4M}{L}$
Step 3. Check D*:	$D = \frac{5UL (L \times 12)^3}{384 EI}$	$D = \frac{C (L \times 12)^3}{48 EI}$

*Deflection should be limited to 1/4" under 100# uniform load to afford pedestrian comfort.

Light Duty Steel Grating is best suited for use in conjunction with pedestrian traffic, and for very light, rubber pneumatic tired rolling traffic (carts, dollies and hand trucks). For other rolling loads (forklifts, cars, trucks, etc.) see the Heavy Duty Steel Grating section, page 66.

Information of a technical nature contained herein is intended only for evaluation by technically skilled persons, with any use thereof to be at their independent discretion and risk. Such information is reliable when evaluated in the proper manner under conditions as described herein. Ohio Gratings, Inc. shall have no responsibility or liability for results obtained or damages resulting from improper evaluation or use.

LIGHT DUTY WELDED STEEL

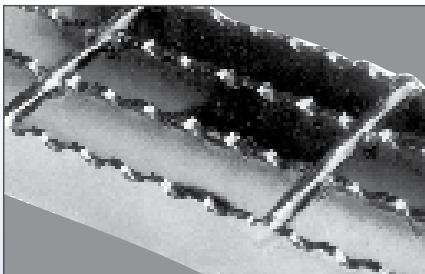


W SERIES



Light duty steel grating is the workhorse of the industrial flooring market and is used for many different types of pedestrian (walking) applications. The open grid construction provides maximum passage for light, air circulation and drainage.

Electro-forging, a machine process combining hydraulic pressure and heat fusion, is readily available and an economical method for manufacturing steel grating panels. The bearing bar surface can be ordered smooth or with a serrated surface for maximum



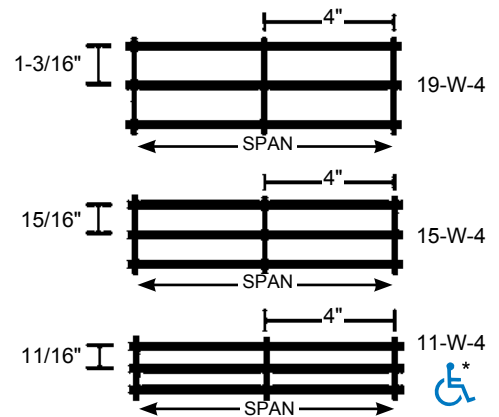
skid resistance. Also available in Stainless Steel, type 304 or 316, upon request.

◀ **Serrated surface also available.**

GRATING PROFILES AVAILABLE...

W SERIES Light Duty Welded Steel

All profiles shown below are also available with 2" cross bar centers. Product numbers would be 19-W-2, 15-W-2 and 11-W-2



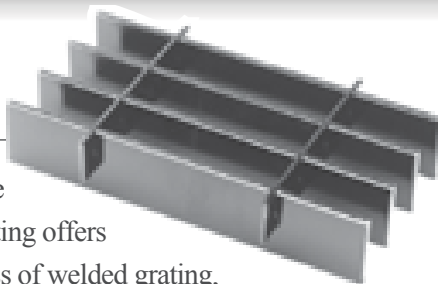
See load tables beginning on page 45.

*Note: Conforms with the spacing requirements of ADA (July 1991) when installed with the elongated opening perpendicular to the dominant direction of travel. See ADA Guidelines

LIGHT DUTY STEEL DOVE TAIL



DT SERIES



Traditionally designed, Dove Tail slot pressure locked grating offers the high strength and stiffness of welded grating, along with the smooth, clean lines of a flush top rectangular cross bar. Bearing bars and cross bars are precision slotted, assembled in egg-crate fashion and hydraulically pressed together to form a tightly locked, rigidly stable panel grid. This grating is available in a wide variety of spacings including a 1/4" or 1/2" opening product, which conforms with provisions for the "Americans with Disabilities Act" (July 1991). These products are part of our Grater Access line and are available with cross bars on 2" or 4" centers. This is also a popular style in the architectural community because of the aesthetic eye appeal of the product and the ability to maintain tighter tolerances. This style is also available in stainless steel. Slip resistant surfaces are available upon request.

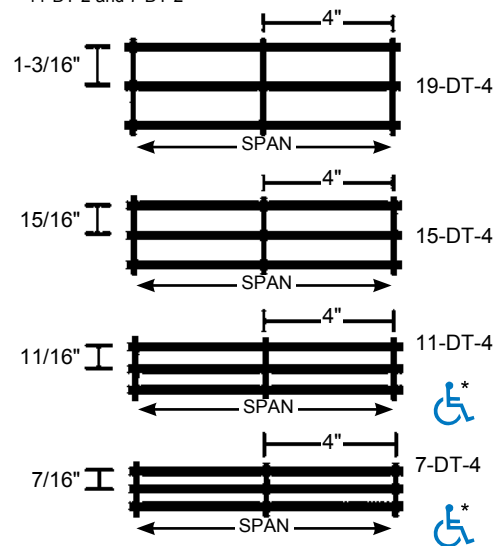
Serrated surface also available.

***8 Space available upon request.**

GRATING PROFILES AVAILABLE...

DT SERIES Light Duty Steel Dove Tail

All profiles shown below are also available with 2" cross bar centers. Product numbers would be 19-DT-2, 15-DT-2, 11-DT-2 and 7-DT-2



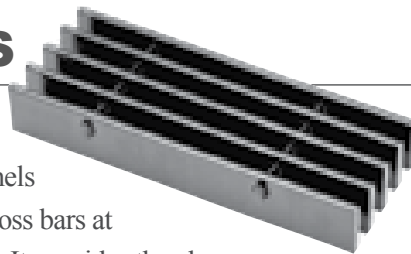
See load tables beginning on page 45.

***Note:** Conforms with the spacing requirements of ADA (July 1991) when installed with the elongated opening perpendicular to the dominant direction of travel. See ADA Guidelines

LIGHT DUTY SWAGED CARBON STEEL



SGCS SERIES



The swaging process allows the assembly of bar grating panels by mechanically locking the cross bars at right angles to the bearing bars. It provides the clean crisp lines of a recessed cross bar and eliminates the jagged weld flash inherent with welded bar grating.

Additionally, the heat generated as part of the electro-forging process, limits how close together the bars may be placed.

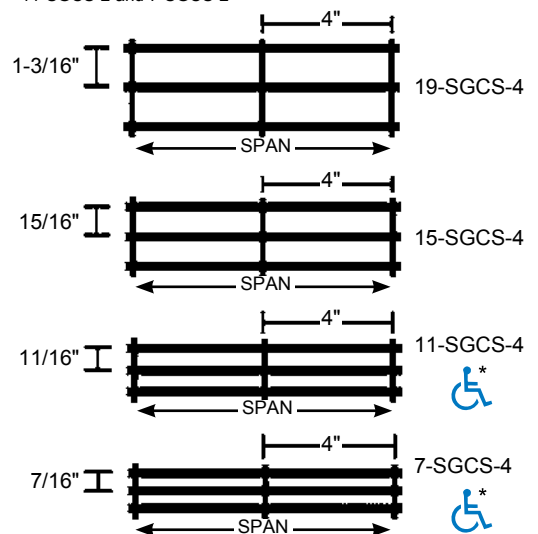
By using the most modern technology available, swaged bar grating is available in a wide variety of spacings including a 1/4" or 1/2" opening product, which conforms with provisions for the "Americans with Disabilities Act" (July 1991). Because of its aesthetic appeal and the ability to meet tight tolerances, this product is often used for architectural applications.

Slip resistant surfaces are available upon request.

***8 Space available upon request.**

GRATING PROFILES AVAILABLE... SGCS SERIES Light Duty Swaged Carbon Steel

All profiles shown below are also available with 2" cross bar centers. Product numbers would be 19-SGCS-2, 15-SGCS-2, 11-SGCS-2 and 7-SGCS-2

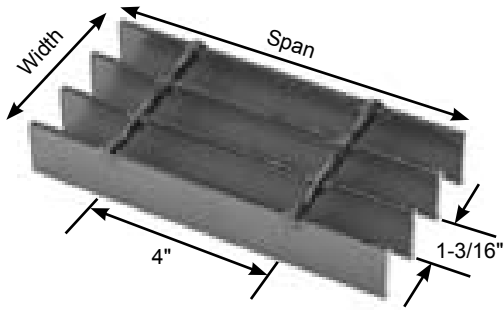


See load tables beginning on page 45.

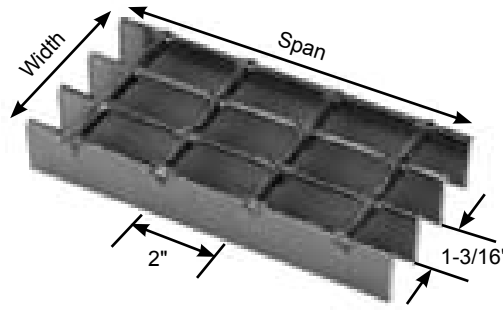
*Note: Conforms with the spacing requirements of ADA (July 1991) when installed with the elongated opening perpendicular to the dominant direction of travel. See ADA Guidelines

19 SPACE PROFILES

STEEL LIGHT DUTY WELDED



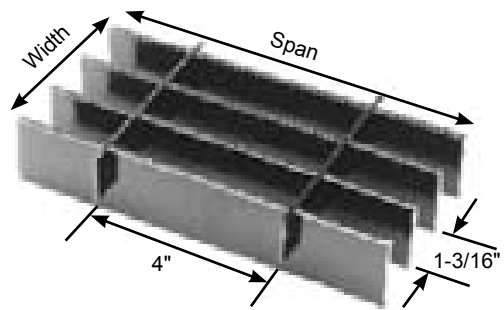
19-W-4



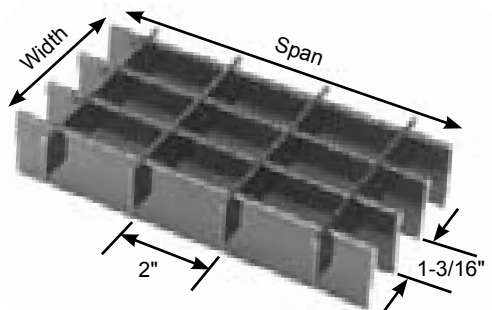
19-W-2

% Open Area*		
Bars	1/8"	3/16"
4" cc	83%	77%
2" cc	76%	71%

STEEL LIGHT DUTY DOVE TAIL



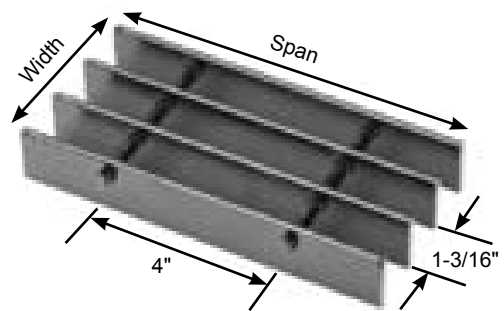
19-DT-4



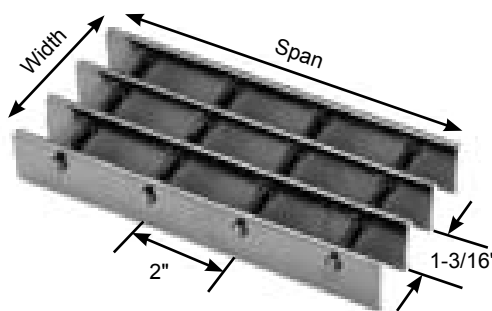
19-DT-2

% Open Area*		
Bars	1/8"	3/16"
4" cc	86%	81%
2" cc	84%	79%

STEEL LIGHT DUTY SWAGED CARBON



19-SGCS-4



19-SGCS-2

% Open Area*		
Bars	1/8"	3/16"
4" cc	83%	78%
2" cc	76%	72%

19 SPACE LOAD TABLES

Visit http://www.ohiogratings.com/prod_specs.html for full product specifications.

Light Duty Welded, Light Duty Dove Tail & Light Duty Swaged Carbon Steel

Bar Size, Inches	Ped Span, Inches	Wt.* Lbs. Sq. Ft.	Sec.Prop Sx*, in ³ lx*, in ⁴	Clear Span															
				2'- 0"	2'- 6"	3'- 0"	3'- 6"	4'- 0"	4'- 6"	5'- 0"	5'- 6"	6'- 0"	6'- 6"	7'- 0"	8'- 0"				
3/4 x 3/16	46	5.43	0.178	U	533	341	237	174	133										
				D	0.099	0.155	0.224	0.304	0.397										
			0.067	C	533	426	355	305	266										
1 x 1/8	51	4.88	0.211	U	632	404	281	206	158	125									
				D	0.075	0.116	0.168	0.228	0.298	0.378									
			0.105	C	632	505	421	361	316	281									
1 x 3/16	57	7.04	0.316	U	947	606	421	309	237	187	152								
				D	0.074	0.116	0.168	0.228	0.298	0.377	0.467								
			0.158	C	947	758	632	541	474	421	379								
1-1/4 x 1/8	61	5.96	0.329	U	987	632	439	322	247	195	158	130							
				D	0.060	0.093	0.134	0.182	0.239	0.302	0.373	0.449							
			0.206	C	987	789	658	564	493	439	395	359							
1-1/4 x 3/16	67	8.64	0.493	U	1480	947	658	483	370	292	237	196	164						
				D	0.060	0.093	0.134	0.182	0.238	0.301	0.373	0.451	0.535						
			0.308	C	1480	1184	987	846	740	658	592	538	493						
1-1/2 x 1/8	70	7.04	0.474	U	1421	909	632	464	355	281	227	188	158						
				D	0.050	0.078	0.112	0.152	0.198	0.252	0.310	0.376	0.447						
			0.355	C	1421	1137	947	812	711	632	568	517	474						
1-1/2 x 3/16	77	10.25	0.711	U	2132	1364	947	696	533	421	341	282	237	202					
				D	0.050	0.078	0.112	0.152	0.199	0.251	0.310	0.376	0.447	0.525					
			0.533	C	2132	1705	1421	1218	1066	947	853	775	711	656					
1-3/4 x 3/16	87	11.87	0.967	U	2901	1857	1289	947	725	573	464	384	322	275	237	181			
				D	0.043	0.067	0.096	0.130	0.170	0.215	0.266	0.322	0.383	0.450	0.522	0.680			
			0.846	C	2901	2321	1934	1658	1451	1289	1160	1055	967	893	829	725			
2 x 3/16	96	13.48	1.263	U	3789	2425	1684	1237	947	749	606	501	421	359	309	237			
				D	0.037	0.058	0.084	0.114	0.149	0.189	0.233	0.282	0.335	0.394	0.456	0.596			
			1.263	C	3789	3032	2526	2165	1895	1684	1516	1378	1263	1166	1083	947			
2-1/4 x 3/16	105	15.08	1.599	U	4796	3069	2132	1566	1199	947	767	634	533	454	392	300			
				D	0.033	0.052	0.074	0.101	0.132	0.168	0.207	0.250	0.298	0.350	0.406	0.530			
			1.798	C	4796	3837	3197	2741	2398	2132	1918	1744	1599	1476	1370	1199			
2-1/2 x 3/16	113	16.70	1.974	U	5921	3789	2632	1933	1480	1170	947	783	658	561	483	370			
				D	0.030	0.047	0.067	0.091	0.119	0.151	0.186	0.225	0.268	0.315	0.365	0.477			
			2.467	C	5921	4737	3947	3383	2960	2632	2368	2153	1974	1822	1692	1480			
				D	0.024	0.037	0.054	0.073	0.095	0.121	0.149	0.180	0.215	0.252	0.292	0.381			

U - Safe uniform load in pounds/sq. ft.
 C - Safe concentrated load in pounds/ft. grating width
 D - Deflection in inches

Loads and deflections given in this table are theoretical, and based on a unit stress of 18,000 psi.

*Based on 10.105 bars/ft. of grating width. Bearing bars 1-3/16" c.c. Add .6 lbs./sq. ft. for 19-SGCS-2. Note: Grating for spans to the left of the heavy line have a deflection less than 1/4" for uniform loads of 100 lbs./sq. ft. This is the maximum deflection to afford pedestrian comfort and can be exceeded for other types of load at the discretion of the engineer. The actual Ped (pedestrian) Span under this condition is shown above for each size of grating. When serrated grating is specified, the depth of grating required for a specific load will be 1/4" greater than that shown in these tables. 3/4" x 3/16" serrated grating is not available.

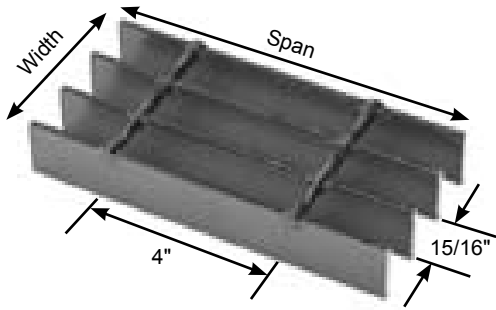
Panel Width Chart (in.) - 19-W-4, 19-W-2, 19-DT-4, 19-DT-2, 19-SGCS-4 & 19-SGCS-2 Dimensions Are Out-to-Out of Bearing Bars**

No. of Bars	2	3	4	5	6	7	8	9	10	11	12	13	14	15	16
3/16" Bars	1-3/8	2-9/16	3-3/4	4-15/16	6-1/8	7-5/16	8-1/2	9-11/16	10-7/8	12-1/16	13-1/4	14-7/16	15-5/8	16-13/16	18
No. of Bars	17	18	19	20	21	22	23	24	25	26	27	28	29	30	31
3/16" Bars	19-3/16	20-3/8	21-9/16	22-3/4	23-15/16	25-1/8	26-5/16	27-1/2	28-11/16	29-7/8	31-1/16	32-1/4	33-7/16	34-5/8	35-13/16

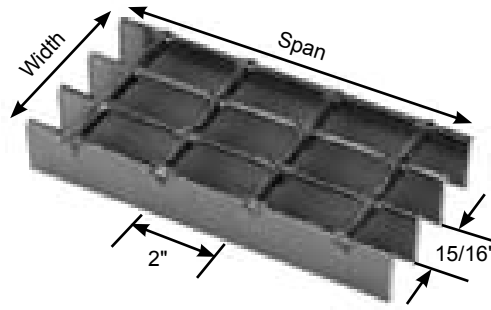
**Add 1/4" for extended cross bars. Deduct 1/16" for 1/8" bearing bars. Standard panel widths indicated in blue.

15 SPACE PROFILES

STEEL LIGHT DUTY WELDED



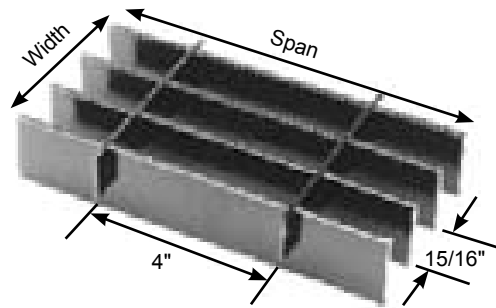
15-W-4



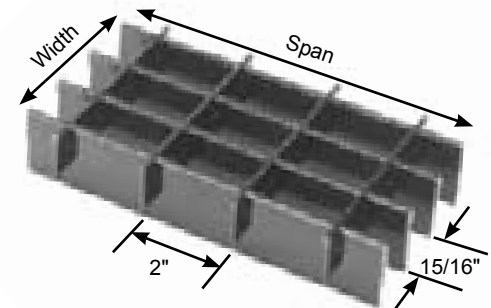
15-W-2

% Open Area*	
4" cc	73%
2" cc	67%

STEEL LIGHT DUTY DOVE TAIL



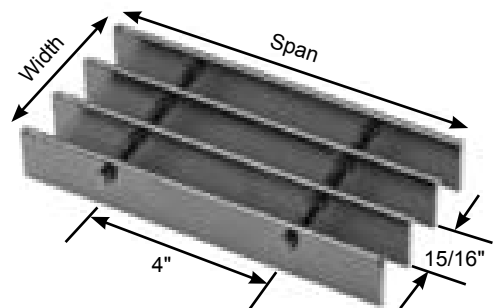
15-DT-4



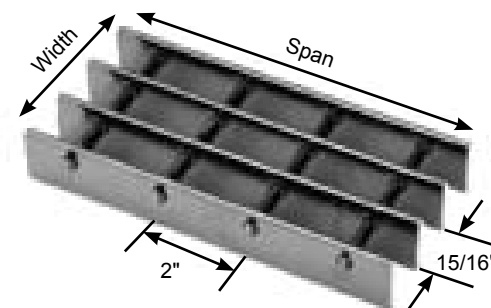
15-DT-2

% Open Area*	
4" cc	77%
2" cc	75%

STEEL LIGHT DUTY SWAGED CARBON



15-SGCS-4



15-SGCS-2

% Open Area*	
4" cc	74%
2" cc	68%

15 SPACE LOAD TABLES

Visit http://www.ohiogratings.com/prod_specs.html
for full product specifications.

Light Duty Welded, Light Duty Dove Tail & Light Duty Swaged Carbon Steel

Bar Size, Inches	Ped Span, Inches	Wt. Lbs. Sq. Ft.	Sec. Prop Sx*, in ³ lx*, in ⁴	Clear Span												
				2'- 0"	2'- 6"	3'- 0"	3'- 6"	4'- 0"	4'- 6"	5'- 0"	5'- 6"	6'- 0"	6'- 6"	7'- 0"	8'- 0"	
3/4 x 3/16	49	7.11	0.225	U	675	432	300	220	169	133	U - Safe uniform load in pounds/sq. ft. C - Safe concentrated load in pounds/ft. grating width D - Deflection in inches					
				D	0.099	0.155	0.223	0.304	0.398	0.502						
			0.084	C	675	540	450	386	338	300						
				D	0.079	0.124	0.179	0.243	0.318	0.402						
1 x 3/16	60	9.27	0.400	U	1200	768	533	392	300	237	192	159	Loads and deflections given in this table are theoretical, and are based on a unit stress of 18,000 psi.			
				D	0.074	0.116	0.167	0.228	0.298	0.377	0.466	0.564				
			0.200	C	1200	960	800	686	600	533	480	436				
				D	0.060	0.093	0.134	0.183	0.238	0.301	0.372	0.450				
1-1/4 x 3/16	71	11.43	0.625	U	1875	1200	833	612	469	370	300	248	208			
				D	0.060	0.093	0.134	0.182	0.238	0.301	0.372	0.451	0.535			
			0.391	C	1875	1500	1250	1071	938	833	750	682	625			
				D	0.048	0.074	0.107	0.146	0.191	0.241	0.298	0.361	0.429			
1-1/2 x 3/16	82	13.82	0.900	U	2700	1728	1200	882	675	533	432	357	300	256	220	
				D	0.050	0.078	0.112	0.152	0.199	0.251	0.310	0.375	0.447	0.525	0.607	
			0.675	C	2700	2160	1800	1543	1350	1200	1080	982	900	831	771	
				D	0.040	0.062	0.089	0.122	0.159	0.201	0.248	0.300	0.358	0.420	0.486	
1-3/4 x 3/16	92	15.98	1.225	U	3675	2352	1633	1200	919	726	588	486	408	348	300	230
				D	0.043	0.067	0.096	0.130	0.170	0.215	0.266	0.322	0.383	0.450	0.521	0.682
			1.072	C	3675	2940	2450	2100	1838	1633	1470	1336	1225	1131	1050	919
				D	0.034	0.053	0.077	0.104	0.136	0.172	0.213	0.257	0.306	0.360	0.417	0.545
2 x 3/16	102	18.14	1.600	U	4800	3072	2133	1567	1200	948	768	635	533	454	392	300
				D	0.037	0.058	0.084	0.114	0.149	0.189	0.233	0.282	0.335	0.393	0.456	0.596
			1.600	C	4800	3840	3200	2743	2400	2133	1920	1745	1600	1477	1371	1200
				D	0.030	0.047	0.067	0.091	0.119	0.151	0.186	0.225	0.268	0.315	0.365	0.477
2-1/4 x 3/16	111	20.16	2.025	U	6075	3888	2700	1984	1519	1200	972	803	675	575	496	380
				D	0.033	0.052	0.074	0.101	0.132	0.168	0.207	0.250	0.298	0.350	0.406	0.530
			2.278	C	6075	4860	4050	3471	3038	2700	2430	2209	2025	1869	1736	1519
				D	0.026	0.041	0.060	0.081	0.106	0.134	0.166	0.200	0.238	0.280	0.324	0.424
2-1/2 x 3/16	120	22.32	2.500	U	7500	4800	3333	2449	1875	1481	1200	992	833	710	612	469
				D	0.030	0.047	0.067	0.091	0.119	0.151	0.186	0.225	0.268	0.315	0.365	0.477
			3.125	C	7500	6000	5000	4286	3750	3333	3000	2727	2500	2308	2143	1875
				D	0.024	0.037	0.054	0.073	0.095	0.121	0.149	0.180	0.215	0.252	0.292	0.381

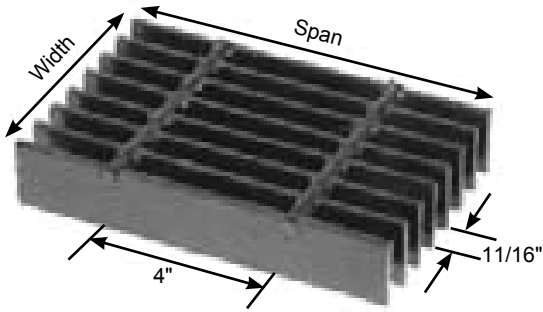
*Based on 12.8 bars/ft. of grating width. Bearing bars 15/16" c.c. Add .8 lbs./sq. ft. for 15-W-2, 1/8" bearing bars available by inquiry. **Note:** Grating for spans to the left of the heavy line have a deflection less than 1/4" for uniform loads of 100 lbs./sq. ft. This is the maximum deflection to afford pedestrian comfort and can be exceeded for other types of load at the discretion of the engineer. The actual Ped (pedestrian) Span under this condition is shown above for each size of grating. When serrated grating is specified, the depth of grating required for a specific load will be 1/4" greater than that shown in these tables. 3/4" x 3/16" serrated grating is not available.

Panel Width Chart (in.) - 15-W-4, 15-W-2, 15-DT-4, 15-DT-2, 15-SGCS-4 & 15-SGCS-2															
Dimensions Are Out-to-Out of Bearing Bars**															
No. of Bars	2	3	4	5	6	7	8	9	10	11	12	13	14	15	16
3/16" Bars	1-1/8	2-1/16	3	3-15/16	4-7/8	5-13/16	6-3/4	7-11/16	8-5/8	9-9/16	10-1/2	11-7/16	12-3/8	13-5/16	14-1/4
No. of Bars	17	18	19	20	21	22	23	24	25	26	27	28	29	30	31
3/16" Bars	15-3/16	16-1/8	17-1/16	18	18-15/16	19-7/8	20-13/16	21-3/4	22-11/16	23-5/8	24-9/16	25-1/2	26-7/16	27-3/8	28-5/16
No. of Bars	32	33	34	35	36	37	38	39							
3/16" Bars	29-1/4	30-3/16	31-1/8	32-1/16	33	33-15/16	34-7/8	35-13/16							

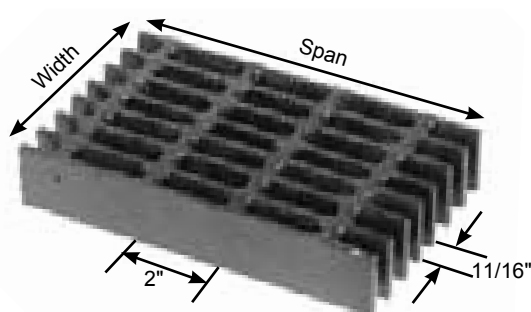
**Add 1/4" for extended cross bars. Deduct 1/16" for 1/8" bearing bars. Standard panel widths indicated in blue.

11 SPACE PROFILES

STEEL LIGHT DUTY WELDED



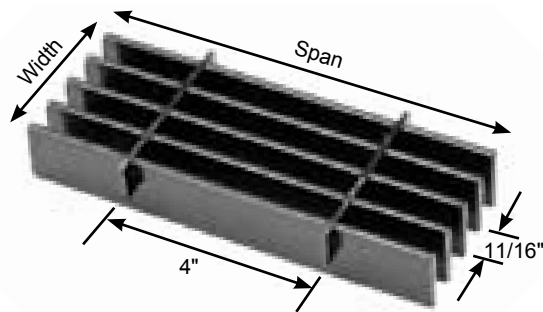
11-W-4



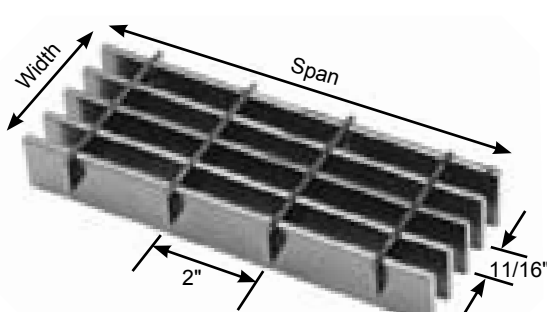
11-W-2

% Open Area*	
4" cc	66%
2" cc	57%

STEEL LIGHT DUTY DOVE TAIL



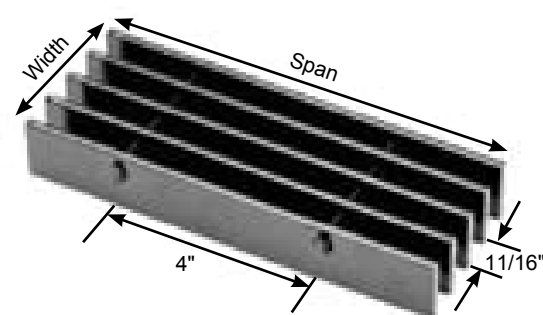
11-DT-4



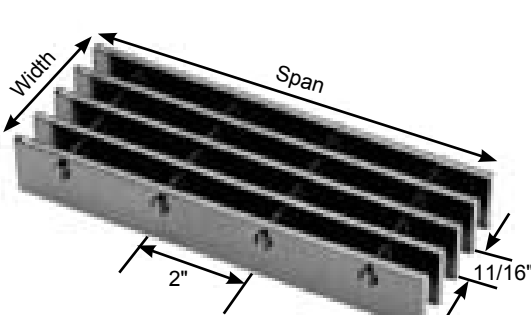
11-DT-2

% Open Area*	
4" cc	70%
2" cc	68%

STEEL LIGHT DUTY SWAGED CARBON



11-SGCS-4



11-SGCS-2

% Open Area*	
4" cc	67%
2" cc	62%

11 SPACE LOAD TABLES

Visit http://www.ohiogratings.com/prod_specs.html
for full product specifications.

Light Duty Welded, Light Duty Dove Tail & Light Duty Swaged Carbon Steel

Bar Size, Inches	Ped Span, Inches	Wt. Lbs. Sq. Ft.	Sec. Prop Sx*, in ³ lx*, in'	ClearSpan														
				2'- 0"	2'- 6"	3'- 0"	3'- 6"	4'- 0"	4'- 6"	5'- 0"	5'- 6"	6'- 0"	6'- 6"	7'- 0"	8'- 0"			
3/4 x 3/16	53	9.28	0.307	U	920	589	409	301	230	182	U - Safe uniform load in pounds/sq. ft. C - Safe concentrated load in pounds/ft. grating width D - Deflection in inches						% Open Area* 4" cc 66% 2" cc 57%	
				D	0.099	0.155	0.223	0.305	0.397	0.503								
			C	920	736	614	526	460	409									
1 x 3/16	65	12.16	0.545	U	1636	1047	727	534	409	323	262	216	Loads and deflections are theoretical and based on a unit stress of 18,000 psi.					
				D	0.074	0.116	0.168	0.228	0.298	0.377	0.466	0.562						
			C	1636	1309	1091	935	818	727	655	595							
1-1/4 x 3/16	77	15.04	0.852	U	2557	1636	1136	835	639	505	409	338	284	242				
				D	0.060	0.093	0.134	0.183	0.238	0.302	0.372	0.450	0.536	0.629				
			C	2557	2046	1705	1461	1278	1136	1023	930	852	787					
1-1/2 x 3/16	89	18.28	1.227	U	3682	2356	1636	1202	920	727	589	487	409	349	301	230		
				D	0.050	0.078	0.112	0.152	0.199	0.251	0.310	0.376	0.447	0.525	0.609	0.794		
			C	3682	2946	2455	2104	1841	1636	1473	1339	1227	1133	1052	920			
1-3/4 x 3/16	99	21.16	1.670	U	5011	3207	2227	1636	1253	990	802	663	557	474	409	313		
				D	0.043	0.066	0.096	0.130	0.170	0.215	0.266	0.322	0.383	0.449	0.521	0.681		
			C	5011	4009	3341	2864	2506	2227	2005	1822	1670	1542	1432	1253			
2 x 3/16	110	24.04	2.182	U	6546	4189	2909	2137	1636	1293	1047	866	727	620	534	409		
				D	0.037	0.058	0.084	0.114	0.149	0.189	0.233	0.282	0.335	0.394	0.456	0.596		
			C	6546	5237	4364	3740	3273	2909	2618	2380	2182	2014	1870	1636			
2-1/4 x 3/16	120	26.74	2.761	U	8284	5302	3682	2705	2071	1636	1325	1095	920	784	676	518		
				D	0.033	0.052	0.074	0.101	0.132	0.168	0.207	0.250	0.298	0.350	0.405	0.530		
			C	8284	6627	5523	4734	4142	3682	3314	3012	2761	2549	2367	2071			
2-1/2 x 3/16	130	29.62	3.409	U	10228	6546	4546	3340	2557	2020	1636	1352	1136	968	835	639		
				D	0.030	0.047	0.067	0.091	0.119	0.151	0.186	0.225	0.268	0.315	0.365	0.477		
			C	10228	8182	6818	5844	5114	4546	4091	3719	3409	3147	2922	2557			
			4.261	U	0.024	0.037	0.054	0.073	0.095	0.121	0.149	0.180	0.214	0.252	0.292	0.381		
				D														

*Based on 17.455 bars/ft. of grating width. Bearing bars 11/16" c.c. Add .8 lbs./sq. ft. for 11-W-2, 1/8" bearing bars available by inquiry. Note: Grating for spans to the left of the heavy line have a deflection less than 1/4" for uniform loads of 100 lbs./sq. ft. This is the maximum deflection to afford pedestrian comfort and can be exceeded for other types of load at the discretion of the engineer. The actual Ped (pedestrian) Span under this condition is shown above for each size of grating. When serrated grating is specified, the depth of grating required for a specific load will be 1/4" greater than that shown in these tables. 3/4" x 3/16" serrated grating is not available.

Panel Width Chart (in.) - 11-W-4 & 11-W-2 Dimensions Are Out-to-Out of Bearing Bars**

No. of Bars	2	3	4	5	6	7	8	9	10	11	12	13	14	15	16
3/16" Bars	7/8	1-9/16	2-1/4	2-15/16	3-5/8	4-5/16	5	5-11/16	6-3/8	7-1/16	7-3/4	8-7/16	9-1/8	9-13/16	10-1/2
No. of Bars	17	18	19	20	21	22	23	24	25	26	27	28	29	30	31
3/16" Bars	11-3/16	11-7/8	12-9/16	13-1/4	13-15/16	14-5/8	15-5/16	16	16-11/16	17-3/8	18-1/16	18-3/4	19-7/16	20-1/8	20-13/16
No. of Bars	32	33	34	35											
3/16" Bars	21-1/2	22-3/16	22-7/8	23-9/16											

**Deduct 1/16" for 1/8" bearing bars. Standard panel widths indicated in blue.

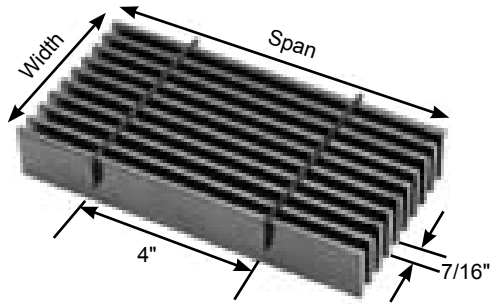
Panel Width Chart (in.) - 11-SGCS-4, 11-SGCS-2, 11-DT-4 & 11-DT-2 Dimensions Are Out-to-Out of Bearing Bars**

No. of Bars	2	3	4	5	6	7	8	9	10	11	12	13	14	15	16
3/16" Bars	7/8	1-9/16	2-1/4	2-15/16	3-5/8	4-5/16	5	5-11/16	6-3/8	7-1/16	7-3/4	8-7/16	9-1/8	9-13/16	10-1/2
No. of Bars	17	18	19	20	21	22	23	24	25	26	27	28	29	30	31
3/16" Bars	11-3/16	11-7/8	12-9/16	13-1/4	13-15/16	14-5/8	15-5/16	16	16-11/16	17-3/8	18-1/16	18-3/4	19-7/16	20-1/8	20-13/16
No. of Bars	32	33	34	35	36	37	38	39	40	41	42	43	44	45	46
3/16" Bars	21-1/2	22-3/16	22-7/8	23-9/16	24-1/4	24-15/16	25-5/8	26-5/16	27	27-11/16	28-3/8	29-1/16	29-3/4	30-7/16	31-1/8
No. of Bars	47	48	49	50	51	52	53								
3/16" Bars	31-13/16	32-1/2	33-3/16	33-7/8	34-9/16	35-1/4	35-15/16								

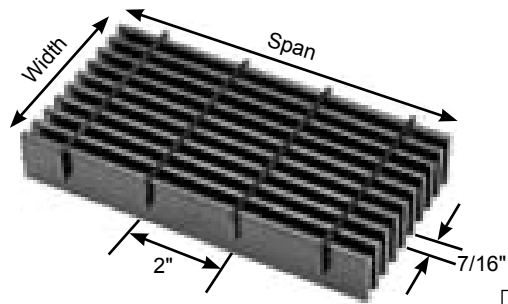
**Add 1/4" for extended cross bars. Deduct 1/16" for 1/8" bearing bars. Standard panel widths indicated in blue.

7 SPACE PROFILES

STEEL LIGHT DUTY DOVE TAIL



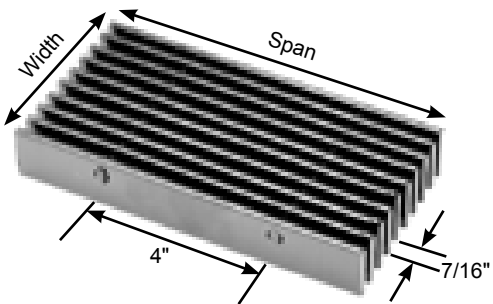
7-DT-4



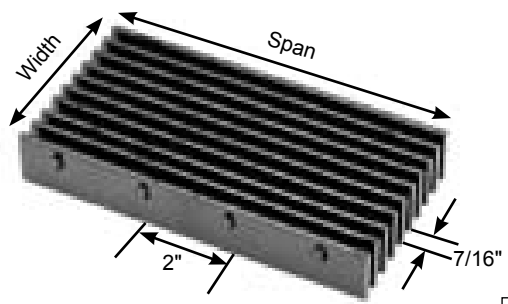
7-DT-2

% Open Area*	
4" cc	55%
2" cc	53%

STEEL LIGHT DUTY SWAGED CARBON



7-SGCS-4



7-SGCS-2

% Open Area*	
4" cc	52%
2" cc	48%

7 SPACE LOAD TABLES

Visit http://www.ohiogratings.com/prod_specs.html for full product specifications.

Light Duty Dove Tail & Light Duty Swaged Carbon Steel

Bar Size, Inches	Ped Span, Inches	Wt.* Lbs. Sq. Ft.	Sec.Prop Sx*, in ³ lx*, in ⁴	ClearSpan																
				2'- 0"	2'- 6"	3'- 0"	3'- 6"	4'- 0"	4'- 6"	5'- 0"	5'- 6"	6'- 0"	6'- 6"	7'- 0"	8'- 0"					
3/4 x 3/16	59	13.73	0.482	U	1446	926	643	472	362	286	231	U - Safe uniform load in pounds/sq. ft. C - Safe concentrated load in pounds/ft.grating width D - Deflection in inches Loads and deflections are theoretical and based on a unit stress of 18,000 psi.								
				D	0.099	0.155	0.223	0.304	0.398	0.503	0.620									
				C	1446	1157	964	827	723	643	579									
			0.181	D	0.079	0.124	0.179	0.243	0.318	0.402	0.497									
				U	2571	1646	1143	840	643	508	411	340	286							
				D	0.074	0.116	0.168	0.228	0.298	0.377	0.465	0.563	0.671							
1 x 3/16	73	18.09	0.857	C	2571	2057	1714	1469	1286	1143	1029	935	857							
				D	0.060	0.093	0.134	0.182	0.238	0.302	0.373	0.451	0.536							
				U	4018	2571	1786	1312	1004	794	643	531	446	380	328	251	<table border="1"> <tr> <td colspan="2">% Open Area*</td> </tr> <tr> <td>4" cc</td> <td>52%</td> </tr> <tr> <td>2" cc</td> <td>48%</td> </tr> </table>		% Open Area*	
% Open Area*																				
4" cc	52%																			
2" cc	48%																			
1-1/4 x 3/16	86	22.45	1.339	D	0.060	0.093	0.134	0.182	0.238	0.302	0.372	0.450	0.536	0.629	0.730	0.953				
				C	4018	3214	2679	2296	2009	1786	1607	1461	1339	1236	1148	1004				
				D	0.048	0.074	0.107	0.146	0.191	0.241	0.298	0.360	0.429	0.503	0.584	0.762				
1-1/2 x 3/16	99	26.81	1.929	U	5786	3703	2571	1889	1446	1143	926	765	643	548	472	362				
				D	0.050	0.078	0.112	0.152	0.199	0.251	0.310	0.375	0.447	0.525	0.608	0.795				
				C	5786	4629	3857	3306	2893	2571	2314	2104	1929	1780	1653	1446				
1-3/4 x 3/16	111	31.20	2.625	D	0.040	0.062	0.089	0.122	0.159	0.201	0.248	0.300	0.358	0.420	0.487	0.635				
				U	7875	5040	3500	2571	1969	1556	1260	1041	875	746	643	492				
				C	7875	6300	5250	4500	3938	3500	3150	2864	2625	2423	2250	1969				
2 x 3/16	123	35.59	3.429	D	0.034	0.053	0.077	0.104	0.136	0.172	0.213	0.258	0.306	0.360	0.417	0.545				
				U	10286	6583	4572	3359	2571	2032	1646	1360	1143	974	840	643				
				C	10286	8229	6857	5878	5143	4572	4114	3740	3429	3165	2939	2571				
2-1/4 x 3/16	134	39.92	4.339	D	0.030	0.047	0.067	0.091	0.119	0.151	0.186	0.225	0.268	0.315	0.365	0.477				
				U	13018	8332	5786	4251	3255	2571	2083	1721	1446	1232	1063	814				
				C	13018	10414	8679	7439	6509	5786	5207	4734	4339	4006	3719	3255				
2-1/2 x 3/16	145	44.31	5.357	D	0.026	0.041	0.060	0.081	0.106	0.134	0.166	0.200	0.238	0.280	0.324	0.424				
				U	16072	10286	7143	5248	4018	3175	2571	2125	1786	1522	1312	1004				
				C	16072	12857	10714	9184	8036	7143	6429	5844	5357	4945	4592	4018				
			6.697	D	0.024	0.037	0.054	0.073	0.095	0.121	0.149	0.180	0.215	0.252	0.292	0.381				

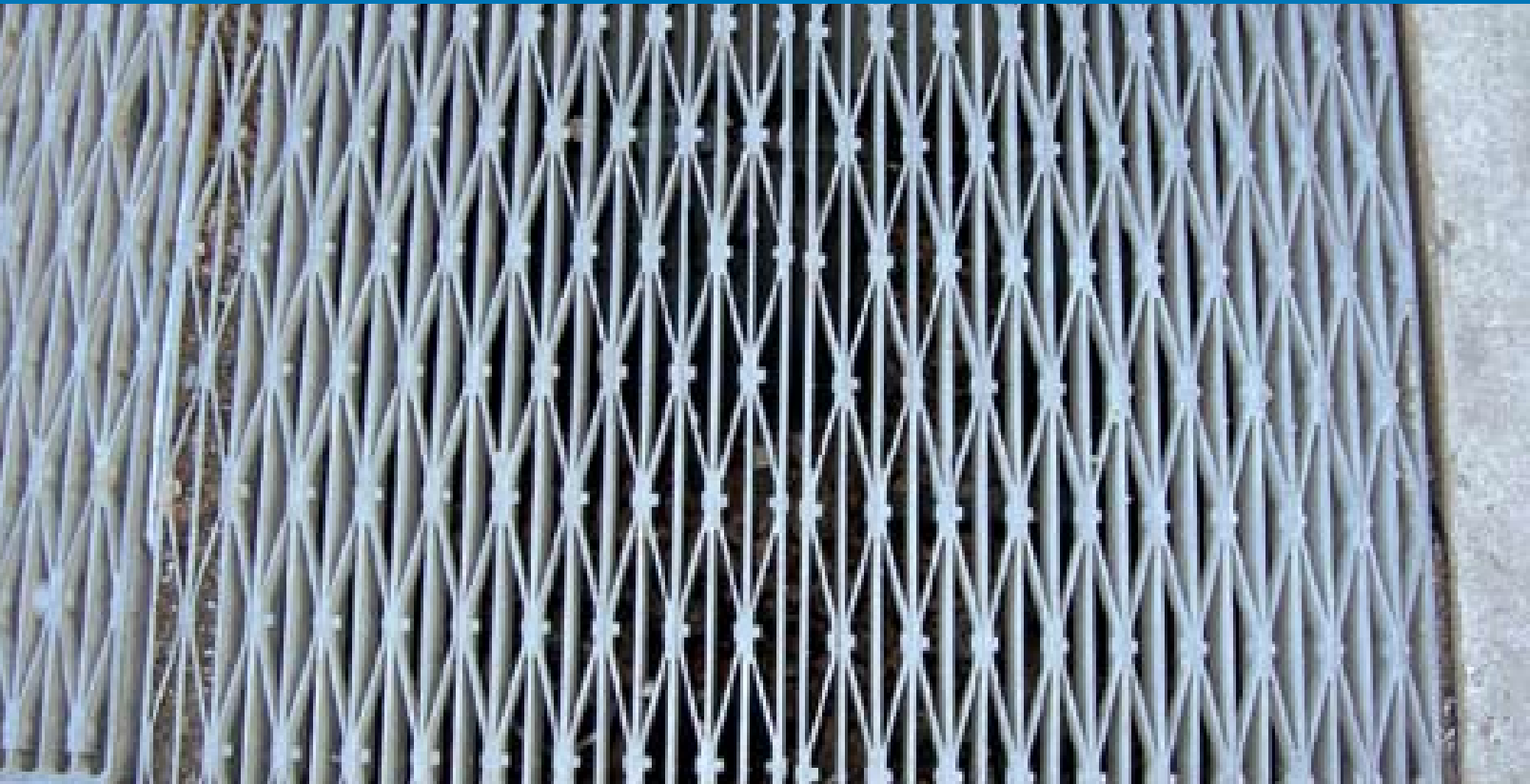
*Based on 27.429 bars/ft. of grating width. Bearing bars 7/16" c.c. Add .6 lbs./sq. ft. for 7-SGCS-2. 1/8" bearing bars available by inquiry. Note: Grating for spans to the left of the heavy line have a deflection less than 1/4" for uniform loads of 100 lbs./sq. ft. This is the maximum deflection to afford pedestrian comfort and can be exceeded for other types of load at the discretion of the engineer. The actual Ped (pedestrian) Span under this condition is shown above for each size of grating. When serrated grating is specified, the depth of grating required for a specific load will be 1/4" greater than that shown in these tables. 3/4" x 3/16" serrated grating is not available.

Panel Width Chart (in.) - 7-SGCS-4, 7-SGCS-2, 7-DT-4 & 7-DT-2 Dimensions Are Out-to-Out of Bearing Bars**

No. of Bars	2	3	4	5	6	7	8	9	10	11	12	13	14	15	16
3/16" Bars	5/8	1-1/16	1-1/2	1-15/16	2-3/8	2-13/16	3-1/4	3-11/16	4-1/8	4-9/16	5	5-7/16	5-7/8	6-5/16	6-3/4
No. of Bars	17	18	19	20	21	22	23	24	25	26	27	28	29	30	31
3/16" Bars	7-3/16	7-5/8	8-1/16	8-1/2	8-15/16	9-3/8	9-13/16	10-1/4	10-11/16	11-1/8	11-9/16	12	12-7/16	12-7/8	13-5/16
No. of Bars	32	33	34	35	36	37	38	39	40	41	42	43	44	45	46
3/16" Bars	13-3/4	14-3/16	14-5/8	15-1/16	15-1/2	15-15/16	16-3/8	16-13/16	17-1/4	17-11/16	18-1/8	18-9/16	19	19-7/16	19-7/8
No. of Bars	47	48	49	50	51	52	53	54	55	56	57	58	59	60	61
3/16" Bars	20-5/16	20-3/4	21-3/16	21-5/8	22-1/16	22-1/2	22-15/16	23-3/8	23-13/16	24-1/4	24-11/16	25-1/8	25-9/16	26	26-7/16
No. of Bars	62	63	64	65	66	67	68	69	70	71	72	73	74	75	76
3/16" Bars	26-7/8	27-5/16	27-3/4	28-3/16	28-5/8	29-1/16	29-1/2	29-15/16	30-3/8	30-13/16	31-1/4	31-11/16	32-1/8	32-9/16	33
No. of Bars	77	78	79	80	81	82	83								
3/16" Bars	33-7/16	33-7/8	34-5/16	34-3/4	35-3/16	35-5/8	36-1/16								

**Add 1/4" for extended cross bars. Deduct 1/16" for 1/8" bearing bars. Standard panel widths indicated in blue.

LIGHT DUTY RIVETED STEEL

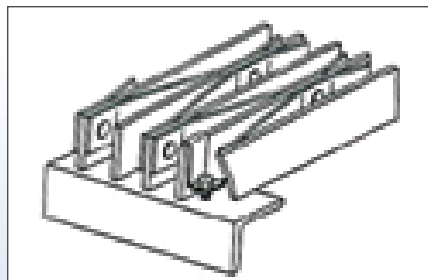


R SERIES



Riveted grating is the oldest style of industrial footwalk, but still the choice of many engineers due to its ruggedness, reliability and durability. This grating is composed of straight bearing bars, and bent connecting bars, which are joined at their contact points by rivets. Since the connecting bars extend continuously between bearing bars along the grating spans, they not only serve to join the bearing bars together, but also contribute to the load carrying capability and lateral stability of the grating panels. This added dimension makes riveted grating an

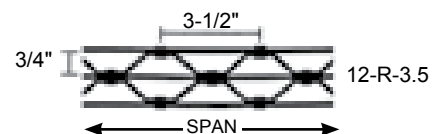
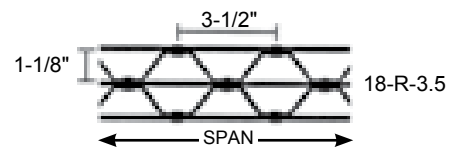
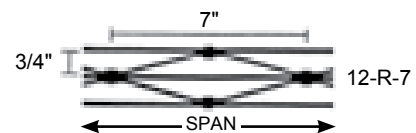
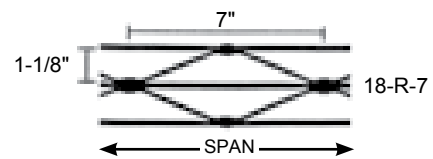
ideal choice where high strength and stiffness are required. Slip resistant surfaces are available.



◀ **Z Clips manufactured from stainless steel. Available in 1", 1-1/2" and 2"**

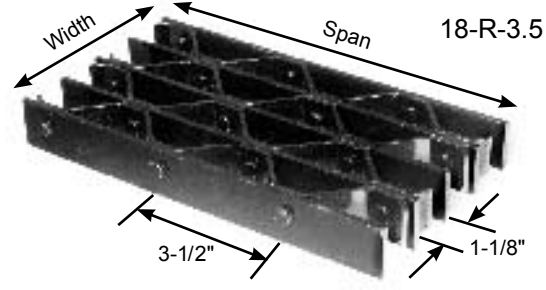
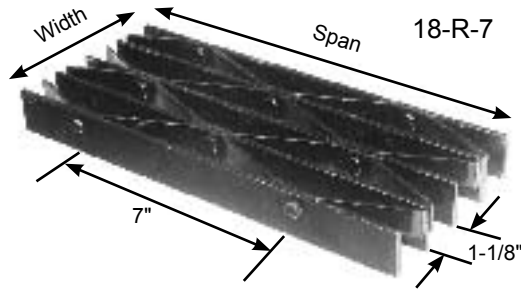
GRATING PROFILES AVAILABLE...

R SERIES Light Duty Riveted Steel



18-R-7 & 18-R-3-1/2

Visit http://www.ohiogratings.com/prod_specs.html for full product specifications.



Bar Size, Inches	Ped Span, Inches	Wt. Lbs. Sq. Ft.	Sec. Prop Sx*, in ³ lx*, in ⁴	Clear Span												
				2'- 0"	2'- 6"	3'- 0"	3'- 6"	4'- 0"	4'- 6"	5'- 0"	5'- 6"	6'- 0"	6'- 6"	7'- 0"	8'- 0"	
3/4 x 3/16	48	7.80	0.204	U	613	392	272	200	153	121						
				D	0.099	0.155	0.223	0.304	0.397	0.503						
			0.077	C	613	490	409	350	306	272						
				D	0.079	0.124	0.179	0.243	0.317	0.402						
1 x 1/8	53	7.60	0.242	U	726	465	323	237	182	143						
				D	0.074	0.116	0.168	0.228	0.299	0.376						
			0.121	C	726	581	484	415	363	323						
				D	0.060	0.093	0.134	0.182	0.238	0.302						
1 x 3/16	59	9.40	0.363	U	1089	697	484	356	272	215	174					
				D	0.074	0.116	0.168	0.228	0.298	0.377	0.465					
			0.182	C	1089	872	726	623	545	484	436					
				D	0.060	0.093	0.134	0.183	0.238	0.302	0.373					
1-1/4 x 1/8	63	8.70	0.378	U	1135	726	504	371	284	224	182	150				
				D	0.060	0.093	0.134	0.183	0.239	0.301	0.373	0.450				
			0.236	C	1135	908	757	648	567	504	454	413				
				D	0.048	0.074	0.107	0.146	0.191	0.241	0.298	0.361				
1-1/4 x 3/16	70	11.00	0.567	U	1702	1089	757	556	426	336	272	225	189			
				D	0.060	0.093	0.134	0.183	0.239	0.301	0.372	0.450	0.536			
			0.355	C	1702	1362	1135	973	851	757	681	619	567			
				D	0.048	0.074	0.107	0.146	0.191	0.241	0.298	0.360	0.429			
1-1/2 x 1/8	72	9.90	0.545	U	1634	1046	726	534	409	323	261	216	182	155		
				D	0.050	0.078	0.112	0.152	0.199	0.252	0.310	0.375	0.448	0.525		
			0.409	C	1634	1307	1089	934	817	726	654	594	545	503		
				D	0.040	0.062	0.089	0.122	0.159	0.201	0.248	0.300	0.358	0.420		
1-1/2 x 3/16	80	12.50	0.817	U	2451	1569	1089	800	613	484	392	324	272	232	200	
				D	0.050	0.078	0.112	0.152	0.199	0.251	0.310	0.375	0.446	0.524	0.608	
			0.613	C	2451	1961	1634	1401	1226	1089	981	891	817	754	700	
				D	0.040	0.062	0.089	0.122	0.159	0.201	0.248	0.300	0.357	0.419	0.486	
1-3/4 x 3/16	90	14.20	1.112	U	3336	2135	1483	1089	834	659	534	441	371	316	272	209
				D	0.043	0.066	0.096	0.130	0.170	0.215	0.266	0.322	0.383	0.450	0.521	0.683
			0.973	C	3336	2669	2224	1907	1668	1483	1335	1213	1112	1027	953	834
				D	0.034	0.053	0.077	0.104	0.136	0.172	0.213	0.257	0.306	0.360	0.417	0.545
2 x 3/16	99	16.80	1.453	U	4358	2789	1937	1423	1089	861	697	576	484	413	356	272
				D	0.037	0.058	0.084	0.114	0.149	0.189	0.233	0.282	0.335	0.394	0.457	0.595
			1.453	C	4358	3486	2905	2490	2179	1937	1743	1585	1453	1341	1245	1089
				D	0.030	0.047	0.067	0.091	0.119	0.151	0.186	0.225	0.268	0.315	0.365	0.476
2-1/4 x 3/16	108	18.30	1.838	U	5515	3530	2451	1801	1379	1089	882	729	613	522	450	345
				D	0.033	0.052	0.074	0.101	0.132	0.168	0.207	0.250	0.298	0.350	0.405	0.530
			2.068	C	5515	4412	3677	3152	2758	2451	2206	2006	1838	1697	1576	1379
				D	0.026	0.041	0.060	0.081	0.106	0.134	0.166	0.200	0.238	0.280	0.324	0.424
2-1/2 x 3/16	117	19.90	2.270	U	6809	4358	3026	2223	1702	1345	1089	900	757	645	556	426
				D	0.030	0.047	0.067	0.091	0.119	0.151	0.186	0.225	0.268	0.315	0.365	0.477
			2.837	C	6809	5447	4539	3891	3405	3026	2724	2476	2270	2095	1945	1702
				D	0.024	0.037	0.054	0.073	0.095	0.121	0.149	0.180	0.215	0.252	0.292	0.381

% Open Area*		
Bars	1/8"	3/16"
7" cc	78%	74%
3-1/2" cc	77%	73%

BB Size, Inches	CB Size, in. All Spacings
Thru 1-3/4"	3/4 x 1/8"
2 - 2-1/2"	1 x 1/8"

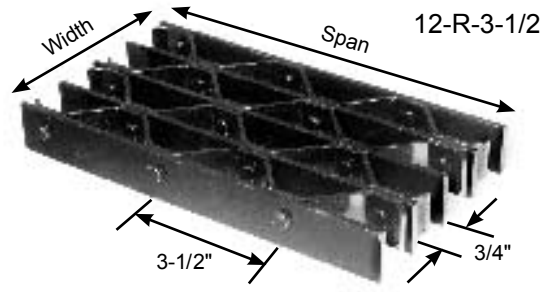
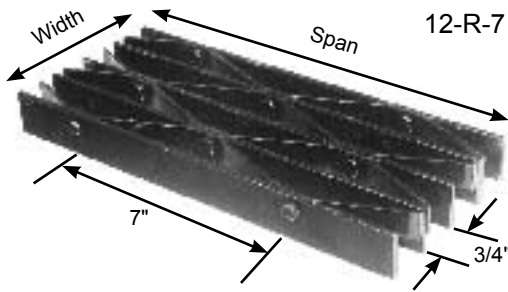
*Based on 11.621 bars/ft. of grating width. Bearing bars 1-1/8" face-to-face, connecting bars riveted 7" c.c. Add .4 lbs./sq. ft. for 18-R-3-1/2. Note: Grating for spans to the left of the heavy line have a deflection less than 1/4" for uniform loads of 100 lbs./sq. ft. This is the maximum deflection to afford pedestrian comfort and can be exceeded for other types of load at the discretion of the engineer. The actual Ped (pedestrian) Span under this condition is shown above for each size of grating.

Panel Width Chart (in.) - 18-R-7 & 18-R-3-1/2															
Dimensions Are Out-to-Out of Bearing Bars**															
No. of Bars	2	3	4	5	6	7	8	9	10	11	12	13	14	15	16
3/16" Bars	1-1/2	2-13/16	4-1/8	5-7/16	6-3/4	8-1/16	9-3/8	10-11/16	12	13-5/16	14-5/8	15-15/16	17-1/4	18-9/16	19-7/8
No. of Bars	17	18	19	20	21	22	23	24	25	26	27	28			
3/16" Bars	21-3/16	22-1/2	23-13/16	25-1/8	26-7/16	27-3/4	29-1/16	30-3/8	31-11/16	33	34-5/16	35-5/8			

**Add 1/4" for rivet heads. Deduct 1/16" for each 1/8" bearing bar. Standard panel widths indicated in blue.

12-R-7 & 12-R-3-1/2

Visit http://www.ohiogratings.com/prod_specs.html for full product specifications.



Bar Size, Inches	Ped Span, Inches	Wt. Lbs. Sq. Ft.	Sec. Prop Sx*, in ² lx*, in ⁴	ClearSpan																						
				2'- 0"	2'- 6"	3'- 0"	3'- 6"	4'- 0"	4'- 6"	5'- 0"	5'- 6"	6'- 0"	6'- 6"	7'- 0"	8'- 0"											
3/4 x 3/16	52	10.70	0.286	U	858	549	381	280	214	169	U - Safe uniform load in pounds/ sq.ft. C - Safe concentrated load in pounds/ft. grating width D - Deflection in inches															
				D	0.099	0.155	0.223	0.304	0.396	0.501																
			0.107	C	858	686	572	490	429	381							<table border="1"> <thead> <tr> <th colspan="2">% Open Area</th> </tr> <tr> <th>Bars</th> <th>3/16"</th> </tr> </thead> <tbody> <tr> <td>7" cc</td> <td>65%</td> </tr> <tr> <td>3-1/2" cc</td> <td>64%</td> </tr> </tbody> </table>		% Open Area		Bars	3/16"	7" cc	65%	3-1/2" cc	64%
				% Open Area																						
Bars	3/16"																									
7" cc	65%																									
3-1/2" cc	64%																									
D	0.079	0.124	0.179	0.243	0.318	0.402																				
1 x 3/16	64	12.80	0.508	U	1525	976	678	498	381	301	244	202	Loads and deflections are theoretical and are based on a unit stress of 18,000 psi.													
				D	0.074	0.116	0.168	0.228	0.298	0.377	0.465	0.564														
			0.254	C	1525	1220	1017	872	763	678	610	555														
				D	0.060	0.093	0.134	0.183	0.238	0.302	0.372	0.451														
1-1/4 x 3/16	76	15.00	0.794	U	2383	1525	1059	778	596	471	381	315	265	226												
				D	0.060	0.093	0.134	0.182	0.238	0.302	0.372	0.450	0.537	0.630												
			0.496	C	2383	1907	1589	1362	1192	1059	953	867	794	733												
				D	0.048	0.075	0.107	0.146	0.191	0.241	0.298	0.361	0.429	0.503												
1-1/2 x 3/16	87	17.10	1.144	U	3432	2196	1525	1121	858	678	549	454	381	325	280	214										
				D	0.050	0.078	0.112	0.152	0.199	0.251	0.310	0.376	0.447	0.525	0.608	0.793										
			0.858	C	3432	2745	2288	1961	1716	1525	1373	1248	1144	1056	980	858										
				D	0.040	0.062	0.089	0.122	0.159	0.201	0.248	0.300	0.358	0.420	0.486	0.636										
1-3/4 x 3/16	98	19.40	1.557	U	4671	2989	2076	1525	1168	923	747	618	519	442	381	292										
				D	0.043	0.066	0.096	0.130	0.170	0.216	0.266	0.322	0.383	0.449	0.521	0.681										
			1.362	C	4671	3737	3114	2669	2335	2076	1868	1699	1557	1437	1335	1168										
				D	0.034	0.053	0.077	0.104	0.136	0.172	0.213	0.258	0.306	0.360	0.417	0.545										
2 x 3/16	108	22.90	2.034	U	6101	3905	2712	1992	1525	1205	976	807	678	578	498	381										
				D	0.037	0.058	0.084	0.114	0.149	0.189	0.233	0.282	0.335	0.394	0.456	0.595										
			2.034	C	6101	4881	4067	3486	3050	2712	2440	2219	2034	1877	1743	1525										
				D	0.030	0.047	0.067	0.091	0.119	0.151	0.186	0.225	0.268	0.315	0.365	0.477										
2-1/4 x 3/16	118	25.00	2.574	U	7721	4942	3432	2521	1930	1525	1235	1021	858	731	630	483										
				D	0.033	0.052	0.074	0.101	0.132	0.168	0.207	0.250	0.298	0.350	0.405	0.530										
			2.896	C	7721	6177	5148	4412	3861	3432	3089	2808	2574	2376	2206	1930										
				D	0.026	0.041	0.060	0.081	0.106	0.134	0.166	0.200	0.238	0.280	0.324	0.424										
2-1/2 x 3/16	128	27.20	3.178	U	9533	6101	4237	3113	2383	1883	1525	1261	1059	902	778	596										
				D	0.030	0.047	0.067	0.091	0.119	0.151	0.186	0.225	0.268	0.315	0.365	0.477										
			3.972	C	9533	7626	6355	5447	4766	4237	3813	3466	3178	2933	2724	2383										
				D	0.024	0.037	0.054	0.073	0.095	0.121	0.149	0.180	0.215	0.252	0.292	0.381										

*Based on 16.269 bars/ft. of grating width. Bearing bars 3/4" face-to-face, connecting bars riveted 7" c.c. Add .4 lbs./sq. ft. for 12-R-3-1/2. Note: Grating for spans to the left of the heavy line have a deflection less than 1/4" for uniform loads of 100 lbs./sq. ft. This is the maximum deflection to afford pedestrian comfort and can be exceeded for other types of load at the discretion of the engineer. The actual Ped (pedestrian) Span under this condition is shown above for each size of grating.

Panel Width Chart (in.) - 12-R-7 & 12-R-3-1/2 Dimensions Are Out-to-Out of Bearing Bars**

No. of Bars	2	3	4	5	6	7	8	9	10	11	12	13	14	15	16
3/16" Bars	1-1/8	2-1/16	3	3-15/16	4-7/8	5-13/16	6-3/4	7-11/16	8-5/8	9-9/16	10-1/2	11-7/16	12-3/8	13-5/16	14-1/4
No. of Bars	17	18	19	20	21	22	23	24	25	26	27	28	29	30	31
3/16" Bars	15-3/16	16-1/8	17-1/16	18	18-15/16	19-7/8	20-13/16	21-3/4	22-11/16	23-5/8	24-9/16	25-1/2	26-7/16	27-3/8	28-5/16
No. of Bars	32	33	34	35	36	37	38	39							
3/16" Bars	29-1/4	30-3/16	31-1/8	32-1/16	33	33-15/16	34-7/8	35-13/16							

**Add 1/4" for rivet heads. Deduct 1/16" for each 1/8" bearing bar. Standard panel widths indicated in blue.

LIGHT DUTY MBG PRESSLOCK

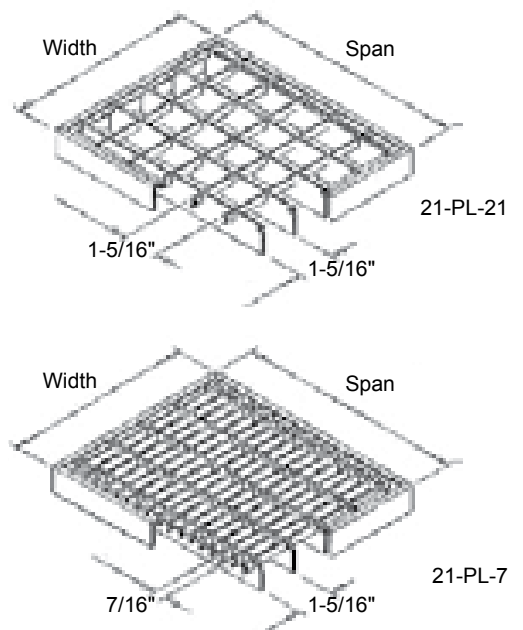


MBG PRESSLOCK

MBG PressLock is the perfect solution for mezzanine decking, pallet rack decking and shelving for the material handling market.

Within the manufacturing process, MBG PressLock grating offers flexibility to the end user based on the spacing and load requirements. Bar spacings are available in increments of 7/16" in either direction making it ideal for standard flooring applications as well as a multitude of architectural applications such as building facades, ADA walkways, fencing, sun screens, security barriers and handrail infill panels. The product is available in carbon steel and can be provided with various finishes including mill, galvanized and/or powder coated.

GRATING PROFILES AVAILABLE... MBG PRESSLOCK Light Duty Steel



See load tables beginning on page 59.

LIGHT DUTY MBG PRESSLOCK

PRESSLOCK CONSTRUCTION

On our computer controlled production lines, the bearing bars are notched and then locked with the cross bar at very high pressure.

This particular production method guarantees a uniform precision mesh size.

The edge of MBG PressLock grating is banded either with a T-shaped special section or flat bar. This process (i.e. where the banding is welded at right angles to and flush with the grating surface) is done with automatic resistance welding.



SPECIAL ORDER

Optimal maximum panel width: 72"

Maximum panel span:

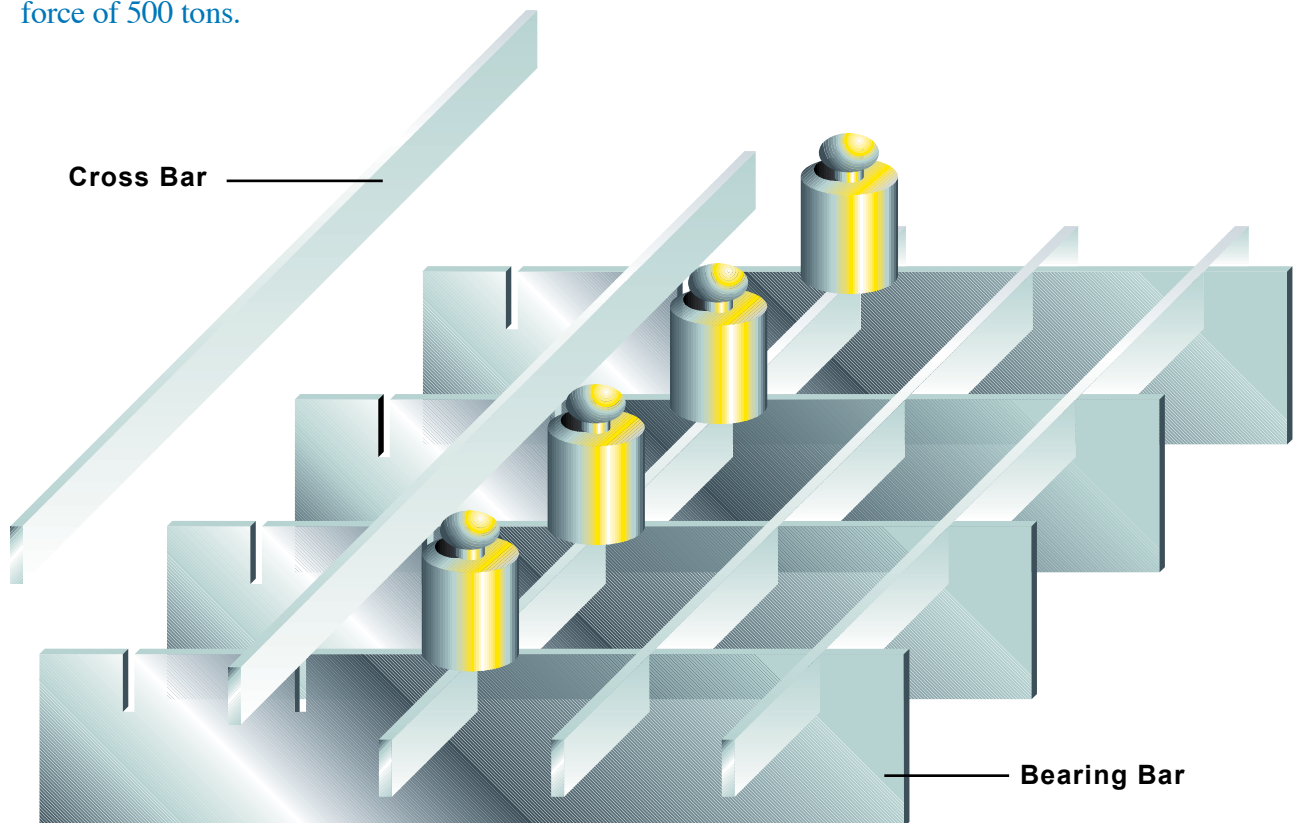
In practice the length will be predetermined by statistical requirements and unit weights.

End meshing:

Panel width and span edges must be equal dimensions.

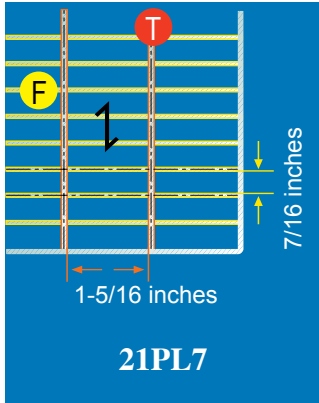
MBG PressLock...the Smart Choice

The cross bar is inserted in the notches of the bearing bar and press locked into a stable structure at a force of 500 tons.

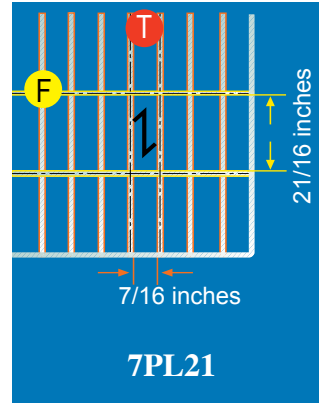


LIGHT DUTY MBG PRESSLOCK

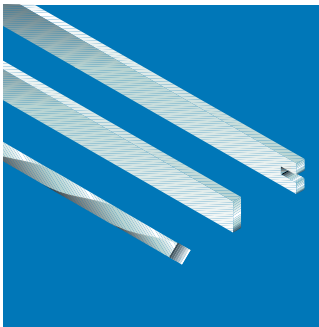
TECHNICAL DATA



The Mesh Size on Press Lock Grating allows either bearing bars (T) or cross bars (F) to be spread in increments of $7/16$ ". This provides a great deal of flexibility in design. The 21 PL7 is the designation for bearing bar spacing ($21/16$) and cross bar spacing ($7/16$).

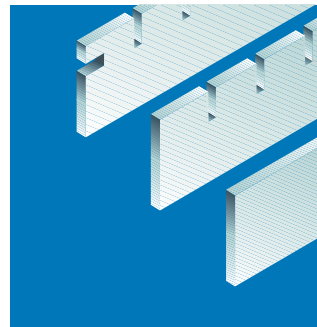


The 7PL21 is the designation for bearing bar spacing ($7/16$) and cross bar spacing ($21/16$).



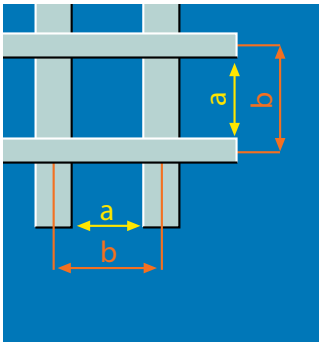
Cross Bars

At right angles to the bearing bars, the cross bars connect the bearing bars with one another in that they are pressed at the intersection points.



Bearing Bars

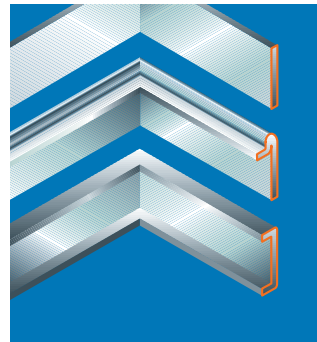
In parallel with one another, the bearing bars are the load carrying flat bars set out perpendicularly.



Mesh Spacing

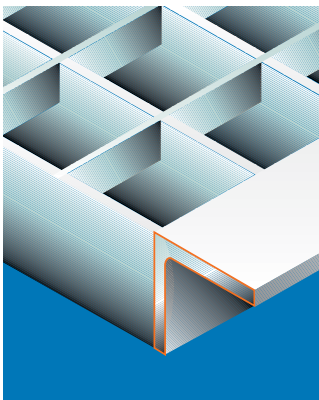
Measurement from center to center (b) for the bearing bars and cross bars.

* Clear distance (a) between the bearing bar and the cross bar.



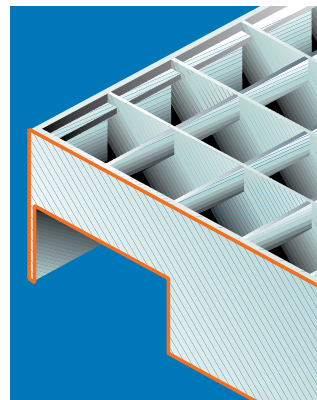
Banding Bars

Grating is usually banded all around by a flat bar, T-shaped section or U-shaped section.



Angle Collar

Angles can be welded on to one or several edges. Angle height should be at least the same as the bearing bar.



Notching

Special notching with extra-high banding in the shelving area.

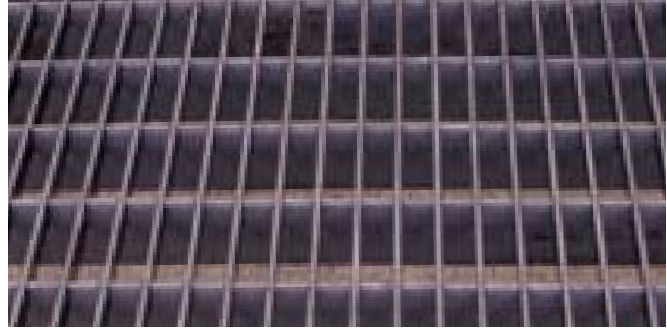
LIGHT DUTY MBG PRESSLOCK

PROFILES



21PL21

Both the bearing bars and cross bars are spaced at 1-5/16" center to center. This spacing is appropriate when pushcarts & pallet jacks are not used on the mezzanines.

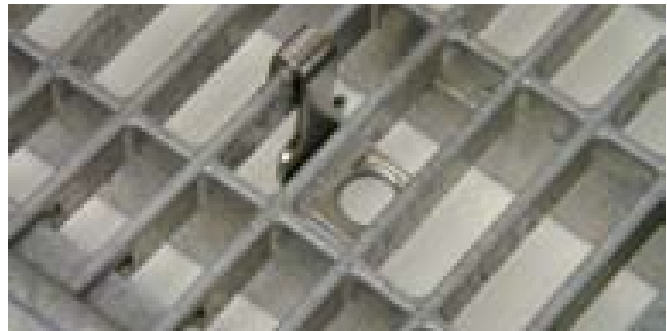


21PL7

This is the most popular spacing. (1-5/16" center to center on the bearing bars and 7/16" center to center on the cross bar). Ideal for carts & other rolling equipment.

FASTENERS

R Clips: A special formed metal fastener available in multiple sizes to fit any job.



R Clip on **21PL21** PressLock available in sizes: 1", 1-3/16", 1-1/4", 1-3/8", 1-1/2", 1-5/8", 1-3/4" and 2".

PALLET RACK DECKING & SHELVING



Decking

Manufactured from carbon steel with high load capacity for strength & stability to avoid deck failure like some wire deck products.



Shelving

PressLock Shelving has maximum shelf visibility for quick inventory checks and up to 84% open area allowing for air, light and maximum sprinkler performance in the event of a fire.

APPLICATIONS



This load chart is based on our medium size bar thickness (12 gauge), and includes bar heights from 1" through 3". Loads are calculated on 21PL spacing for the bearing bar or 1-5/16 center to center. Weight based on mill finish 21PL21 spacing; if 21PL7 add 2.32 pounds/square foot.

PEDESTRIAN LOAD TABLE

Bar Size, Inches	Ped Span, Inches	Wt. Lbs. Sq. Ft.	Sec. Prop Sx*, in ² lx*, in ⁴	ClearSpan												
				2'- 0"	2'- 6"	3'- 0"	3'- 6"	4'- 0"	4'- 6"	5'- 0"	5'- 6"	6'- 0"	6'- 6"	7'- 0"	8'- 0"	
100M	40	4.31	0.1556	U	467	299	207	152	117	92	75	62	52	44	38	29
				D	0.074	0.1164	0.168	0.228	0.298	0.377	0.466	0.563	0.670	0.787	0.912	1.192
			0.0778	C	467	373	311	267	233	207	187	170	156	144	133	117
				D	0.060	0.093	0.134	0.182	0.238	0.302	0.372	0.451	0.536	0.629	0.730	0.953
118M	45	4.92	0.2167	U	650	416	289	212	162	128	104	86	72	62	53	41
				D	0.063	0.0986	0.142	0.193	0.252	0.320	0.395	0.477	0.568	0.667	0.773	1.010
			0.1278	C	650	520	433	371	325	289	260	236	217	200	186	162
				D	0.050	0.079	0.114	0.155	0.202	0.256	0.316	0.382	0.454	0.533	0.619	0.808
125M	47	5.16	0.2431	U	729	467	324	238	182	144	117	96	81	69	60	46
				D	0.060	0.0931	0.134	0.182	0.238	0.302	0.372	0.451	0.536	0.629	0.730	0.953
			0.1520	C	729	584	486	417	365	324	292	265	243	224	208	182
				D	0.048	0.074	0.107	0.146	0.191	0.241	0.298	0.360	0.429	0.504	0.584	0.763
138M	51	5.61	0.2963	U	889	569	395	290	222	176	142	118	99	84	73	56
				D	0.054	0.0843	0.121	0.165	0.216	0.273	0.337	0.408	0.486	0.570	0.661	0.864
			0.2045	C	889	711	593	508	444	395	356	323	296	274	254	222
				D	0.043	0.067	0.097	0.132	0.173	0.219	0.270	0.327	0.389	0.456	0.529	0.691
150M	54	6.02	0.3501	U	1050	672	467	343	263	207	168	139	117	99	86	66
				D	0.050	0.0776	0.112	0.152	0.199	0.251	0.310	0.376	0.447	0.524	0.608	0.794
			0.2626	C	1050	840	700	600	525	467	420	382	350	323	300	263
				D	0.040	0.062	0.089	0.122	0.159	0.201	0.248	0.300	0.358	0.420	0.487	0.636
158M	56	6.29	0.3884	U	1165	746	518	381	291	230	186	154	129	110	95	73
				D	0.047	0.0737	0.106	0.144	0.189	0.239	0.295	0.357	0.424	0.498	0.577	0.754
			0.3069	C	1165	932	777	666	583	518	466	424	388	359	333	291
				D	0.038	0.059	0.085	0.115	0.151	0.191	0.236	0.286	0.339	0.098	0.462	0.603
175M	61	6.88	0.4765	U	1430	915	635	467	357	282	229	189	159	135	117	89
				D	0.043	0.0665	0.096	0.130	0.170	0.215	0.266	0.322	0.383	0.450	0.521	0.681
			0.4170	C	1430	1144	953	817	715	635	572	520	477	440	408	357
				D	0.034	0.053	0.077	0.104	0.136	0.172	0.213	0.257	0.306	0.360	0.417	0.545
200M	67	7.73	0.6224	U	1867	1195	830	610	487	369	299	247	207	177	152	117
				D	0.037	0.0582	0.084	0.114	0.149	0.189	0.233	0.282	0.335	0.393	0.456	0.596
			0.6224	C	1867	1494	1245	1067	934	830	747	679	622	575	533	467
				D	0.030	0.047	0.067	0.091	0.119	0.151	0.186	0.225	0.268	0.315	0.365	0.477

*Calculations based on a uniform load of 100 pounds/square foot with maximum 1/8" deflection; figured per NAAMM standards

**For Galvanized add 7.5% to weight per square foot. 100M through 200M represents bearing bar height and thickness. Example: 100 = 1" high bar; 125 = 1-1/4"

***M (Medium) identifies bearing bar thickness of 12 gauge (.1046 in/2.66mm)



1" x 1/8" 19W4 weld forge



21PL7 - PressLock

This load chart is based on our standard size bar thickness (14 gauge), and includes bar heights from 1" through 2". Loads are calculated on 21PL spacing for the bearing bars or 1-5/16" center to center. Weight based on mill finish 21PL21 spacing; if 21PL7, add 1.93 pounds per square foot.

PEDESTRIAN LOAD TABLE

Bar Size, Inches	Ped Span, Inches	Wt. Lbs. Sq. Ft.	Sec. Prop Sx*, in ² lx*, in ⁴	ClearSpan												
				2'- 0"	2'- 6"	3'- 0"	3'- 6"	4'- 0"	4'- 6"	5'- 0"	5'- 6"	6'- 0"	6'- 6"	7'- 0"	8'- 0"	
100S	36	3.42	0.1098	U	330	211	146	108	82	65	53	44	37	31	27	21
				D	0.074	0.1164	0.168	0.228	0.298	0.377	0.466	0.563	0.670	0.787	0.912	1.192
			0.0549	C	330	264	220	188	165	146	132	120	110	101	94	82
				D	0.060	0.093	0.134	0.182	0.238	0.302	0.372	0.451	0.536	0.629	0.730	0.953
118S	41	3.87	0.1529	U	459	294	204	150	115	91	73	61	51	43	37	29
				D	0.063	0.0986	0.142	0.193	0.252	0.320	0.395	0.477	0.568	0.667	0.773	1.010
			0.0902	C	459	367	306	262	229	204	184	167	153	141	131	115
				D	0.050	0.079	0.114	0.155	0.202	0.256	0.316	0.382	0.454	0.533	0.619	0.808
125S	43	4.05	0.1716	U	515	330	229	168	129	102	82	68	57	49	42	32
				D	0.060	0.0931	0.134	0.182	0.238	0.302	0.372	0.451	0.536	0.629	0.730	0.953
			0.1073	C	515	412	343	294	257	229	206	187	172	158	147	129
				D	0.048	0.074	0.107	0.146	0.191	0.241	0.298	0.360	0.429	0.504	0.584	0.763
138S	46	4.38	0.2092	U	628	402	279	205	157	124	100	83	70	59	51	39
				D	0.054	0.0843	0.121	0.165	0.216	0.273	0.337	0.408	0.486	0.570	0.661	0.864
			0.1443	C	628	502	418	359	314	279	251	228	209	193	179	157
				D	0.043	0.067	0.097	0.132	0.173	0.219	0.270	0.327	0.389	0.456	0.529	0.691
150S	49	4.68	0.2471	U	741	474	330	242	185	146	119	98	82	70	61	46
				D	0.050	0.0776	0.112	0.152	0.199	0.251	0.310	0.376	0.447	0.524	0.608	0.794
			0.1854	C	741	593	494	424	371	330	297	270	247	228	212	185
				D	0.040	0.062	0.089	0.122	0.159	0.201	0.248	0.300	0.358	0.420	0.487	1.636
158S	51	4.89	0.2742	U	823	526	366	269	206	162	132	109	91	78	67	51
				D	0.047	0.0737	0.106	0.144	0.189	0.239	0.295	0.357	0.424	0.498	0.577	0.754
			0.2166	C	823	658	548	470	411	366	329	299	274	253	235	206
				D	0.038	0.059	0.085	0.115	0.151	0.191	0.236	0.285	0.339	0.398	0.462	0.603
175S	55	5.32	0.3364	U	1009	646	449	330	252	199	161	133	112	96	82	63
				D	0.043	0.0665	0.096	0.130	0.170	0.215	0.266	0.322	0.383	0.450	0.521	0.681
			0.2943	C	1009	807	673	577	505	449	404	367	336	311	288	252
				D	0.034	0.053	0.077	0.104	0.136	0.172	0.213	0.257	0.306	0.360	0.417	0.545
200S	61	5.95	0.4394	U	1318	844	586	430	330	260	211	174	146	125	108	82
				D	0.037	0.0582	0.084	0.114	0.149	0.189	0.233	0.282	0.335	0.393	0.456	0.596
			0.4394	C	1318	1054	879	753	659	586	527	479	439	406	377	330
				D	0.030	0.047	0.067	0.091	0.119	0.151	0.186	0.225	0.268	0.315	0.365	0.477

*Calculations based on a uniform load of 100 pounds/square foot with maximum 1/8" deflection; figured per NAAMM standards

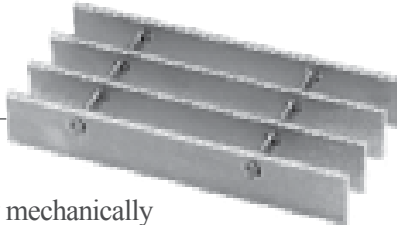
**For Galvanized add 7.5% to weight per square foot. 100S through 200S represents bearing bar height and thickness. Example: 100 = 1" high bar; 125 = 1-1/4"

***S (Standard) identifies bearing bar thickness of 14 gauge (.0747 in/1.905mm)

SWAGED STAINLESS STEEL



SGSS SERIES



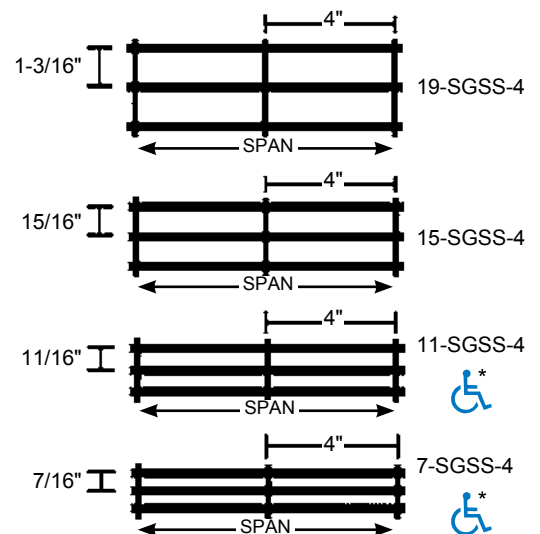
The swaging process allows the assembly of bar grating panels by mechanically locking the cross bars at right angles to the bearing bars at a maximum of 4" on center. This process provides the clean crisp lines of a recessed cross bar and eliminates the discoloration inherent with welded bar grating. By using the most modern technology available, swaged bar grating allows for a variety of spacings including close spacings of 7/16" cc between bearing bars which have been approved by the "Americans with Disabilities Act".

Stainless steel grating has been the standard industrial footwalk product for severe corrosive environments and has been a popular grating choice for many years. OGi manufactures stainless swaged bar grating from type 304 and 316 stainless steel bar. Stainless steel grating is used at chemical plants, food processing facilities, oil and gas producers and is also used in many other commercial and architectural applications.

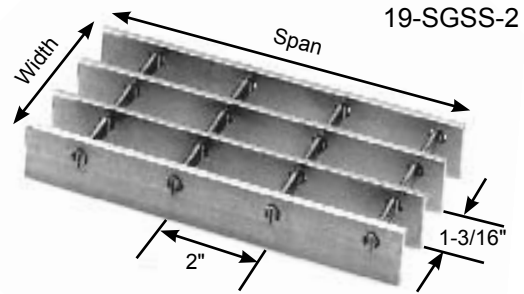
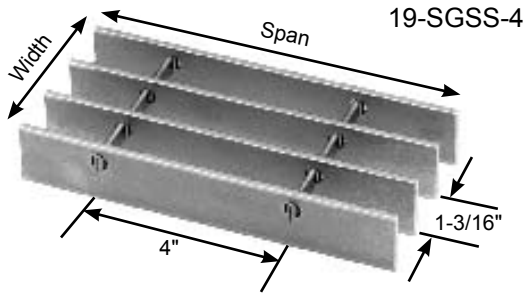
Slip resistant surfaces, including serrated are available.

GRATING PROFILES AVAILABLE... SGSS SERIES Swaged Stainless Steel

All profiles shown below are also available with 2" cross bar centers. Product numbers would be 19-SGSS-2, 15-SGSS-2, 11-SGSS-2 and 7-SGSS-2



***Note:** Conforms with the spacing requirements of ADA (July 1991) when installed with the elongated opening perpendicular to the dominant direction of travel. See ADA Guidelines



Bar Size, Inches	Ped Span, Inches	Wt.* Lbs. Sq. Ft.	Sec. Prop Sx*, in ³ lx*, in ⁴	ClearSpan															
				2'- 0"	2'- 6"	3'- 0"	3'- 6"	4'- 0"	4'- 6"	5'- 0"	5'- 6"	6'- 0"	6'- 6"	7'- 0"	8'- 0"				
3/4 x 3/16	46	5.64	0.178	U	592	379	263	193	148										
				D	0.114	0.179	0.257	0.349	0.457										
				C	592	474	395	338	296										
1 x 1/8	51	4.99	0.211	U	702	449	312	229	175	139									
				D	0.086	0.134	0.193	0.262	0.342	0.435									
				C	702	561	468	401	351	312									
1 x 3/16	56	7.19	0.316	U	1053	674	468	344	263	208	168								
				D	0.086	0.134	0.193	0.263	0.343	0.434	0.534								
				C	1053	842	702	601	526	468	421								
1-1/4 x 1/8	60	6.09	0.158	U	1096	702	487	358	274	217	175	145							
				D	0.069	0.107	0.154	0.210	0.274	0.347	0.429								
				C	1096	877	731	627	548	487	439	399							
1-1/4 x 3/16	67	8.84	0.329	U	1096	702	487	358	274	217	175	145							
				D	0.069	0.107	0.154	0.210	0.274	0.348	0.428	0.519							
				C	1096	877	731	627	548	487	439	399							
1-1/2 x 1/8	69	7.19	0.206	U	1645	1053	731	537	411	325	263	217	183						
				D	0.069	0.107	0.154	0.210	0.274	0.347	0.428	0.517	0.618						
				C	1645	1316	1096	940	822	731	658	598	548						
1-1/2 x 3/16	77	10.48	0.493	U	1645	1053	731	537	411	325	263	217	183						
				D	0.069	0.107	0.154	0.210	0.274	0.347	0.428	0.517	0.618						
				C	1645	1316	1096	940	822	731	658	598	548						
1-1/2 x 1/8	69	7.19	0.308	U	1579	1011	702	516	395	312	253	209	175						
				D	0.055	0.086	0.123	0.168	0.219	0.278	0.343	0.415	0.494						
				C	1579	1263	1053	902	789	702	632	574	526						
1-1/2 x 3/16	77	10.48	0.474	U	1579	1011	702	516	395	312	253	209	175						
				D	0.055	0.086	0.123	0.168	0.219	0.278	0.343	0.415	0.494						
				C	1579	1263	1053	902	789	702	632	574	526						
1-1/2 x 1/8	69	7.19	0.355	U	1579	1011	702	516	395	312	253	209	175						
				D	0.046	0.071	0.103	0.140	0.183	0.232	0.286	0.346	0.411	0.483					
				C	1579	1263	1053	902	789	702	632	574	526						
1-1/2 x 3/16	77	10.48	0.711	U	2368	1516	1053	773	592	468	379	313	263	224					
				D	0.057	0.089	0.129	0.175	0.229	0.289	0.357	0.432	0.514	0.603					
				C	2368	1895	1579	1353	1184	1053	947	861	789	729					
1-3/4 x 3/16	86	11.71	0.533	U	2368	1516	1053	773	592	468	379	313	263	224					
				D	0.046	0.071	0.103	0.140	0.183	0.232	0.286	0.346	0.411	0.483					
				C	2368	1895	1579	1353	1184	1053	947	861	789	729					
1-3/4 x 3/16	86	11.71	0.967	U	3224	2063	1433	1053	806	637	516	426	358	305	263	201			
				D	0.049	0.077	0.110	0.150	0.196	0.248	0.306	0.370	0.441	0.517	0.600	0.782			
				C	3224	2579	2149	1842	1612	1433	1289	1172	1075	992	921	806			
2 x 3/16	95	13.78	0.846	U	4210	2695	1871	1375	1053	832	674	557	468	399	344	263			
				D	0.039	0.061	0.088	0.120	0.157	0.198	0.245	0.296	0.353	0.414	0.480	0.627			
				C	4210	3368	2807	2406	2105	1871	1684	1531	1403	1296	1203	1053			
2 x 3/16	95	13.78	1.263	U	4210	2695	1871	1375	1053	832	674	557	468	399	344	263			
				D	0.034	0.054	0.077	0.105	0.137	0.174	0.214	0.259	0.308	0.362	0.420	0.549			
				C	4210	3368	2807	2406	2105	1871	1684	1531	1403	1296	1203	1053			
2-1/4 x 3/16	104	15.49	1.263	U	5329	3410	2368	1740	1332	1053	853	705	592	505	435	333			
				D	0.034	0.054	0.077	0.105	0.137	0.174	0.214	0.259	0.308	0.362	0.420	0.549			
				C	5329	4263	3553	3045	2664	2368	2132	1938	1776	1640	1523	1332			
2-1/4 x 3/16	104	15.49	1.599	U	5329	3410	2368	1740	1332	1053	853	705	592	505	435	333			
				D	0.030	0.048	0.069	0.093	0.122	0.154	0.191	0.231	0.274	0.322	0.373	0.488			
				C	5329	4263	3553	3045	2664	2368	2132	1938	1776	1640	1523	1332			
2-1/2 x 3/16	112	17.08	1.798	U	6579	4210	2924	2148	1645	1300	1053	870	731	623	537	411			
				D	0.030	0.048	0.069	0.093	0.122	0.154	0.191	0.231	0.274	0.322	0.373	0.488			
				C	6579	5263	4386	3759	3289	2924	2632	2392	2193	2024	1880	1645			
2-1/2 x 3/16	112	17.08	2.467	U	6579	4210	2924	2148	1645	1300	1053	870	731	623	537	411			
				D	0.027	0.043	0.062	0.084	0.110	0.139	0.171	0.207	0.247	0.290	0.336	0.439			
				C	6579	5263	4386	3759	3289	2924	2632	2392	2193	2024	1880	1645			

U - Safe uniform load in pounds /sq.ft.
 C - Safe concentrated load in pounds /ft. grating width
 D - Deflection in inches
 Loads and deflections are theoretical and based on a unit stress of 20,000 psi.

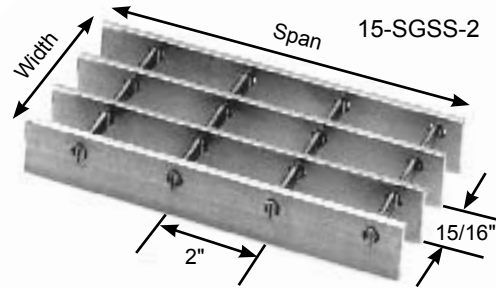
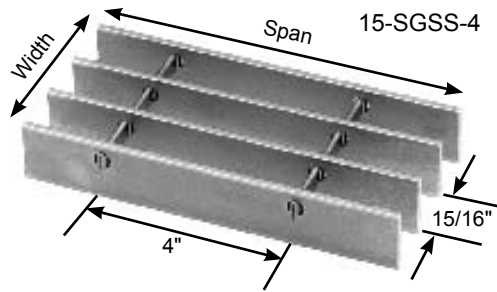
% Open Area*		
Bars	1/8"	3/16"
4" cc	83%	78%
2" cc	76%	72%

*Based on 10,105 bars/ft. of grating width. Bearing bars 1-3/16" c.c. Add 6 lbs./sq. ft. for 19-SGSS-2. Note: Grating for spans to the left of the heavy line have a deflection less than 1/4" for uniform loads of 100 lbs./sq. ft. This is the maximum deflection to afford pedestrian comfort and can be exceeded for other types of load at the discretion of the engineer. The actual Ped (pedestrian) Span under this condition is shown above for each size of grating. When serrated grating is specified, the depth of grating required for a specific load will be 1/4" greater than that shown in these tables. 3/4" x 3/16" serrated grating is not available.

Panel Width Chart (in.) - 19-SGSS-4 & 19-SGSS-2 Dimensions Are Out-to-Out of Bearing Bars**

No. of Bars	2	3	4	5	6	7	8	9	10	11	12	13	14	15	16
3/16" Bars	1-3/8	2-9/16	3-3/4	4-15/16	6-1/8	7-5/16	8-1/2	9-11/16	10-7/8	12-1/16	13-1/4	14-7/16	15-5/8	16-13/16	18
No. of Bars	17	18	19	20	21	22	23	24	25	26	27	28	29	30	31
3/16" Bars	19-3/16	20-3/8	21-9/16	22-3/4	23-15/16	25-1/8	26-5/16	27-1/2	28-11/16	29-7/8	31-1/16	32-1/4	33-7/16	34-5/8	35-13/16

**Add 1/4" for extended cross bars. Deduct 1/16" for 1/8" bearing bars. Standard panel widths indicated in red.



Bar Size, Inches	Ped Span, Inches	Wt.* Lbs. Sq. Ft.	Sec. Prop Sx*, in ³ lx*, in ⁴	ClearSpan																							
				2'- 0"	2'- 6"	3'- 0"	3'- 6"	4'- 0"	4'- 6"	5'- 0"	5'- 6"	6'- 0"	6'- 6"	7'- 0"	8'- 0"												
3/4 x 3/16	48	6.99	0.225	U	750	480	333	245	188	148	U - Safe uniform load in pounds /sq.ft. C - Safe concentrated load in pounds /ft. grating width D - Deflection in inches																
				D	0.114	0.179	0.257	0.350	0.458	0.578																	
			0.084	C	750	600	500	429	375	333																	
				D	0.091	0.143	0.206	0.280	0.366	0.462																	
1 x 3/16	60	8.95	0.400	U	1333	853	593	435	333	263	213	176	Loads and deflections are theoretical and based on a unit stress of 20,000 psi.														
				D	0.086	0.134	0.193	0.262	0.343	0.433	0.535	0.647															
			0.200	C	1333	1067	889	762	667	593	533	485															
				D	0.069	0.107	0.154	0.210	0.274	0.347	0.428	0.519															
1-1/4 x 3/16	71	11.03	0.625	U	2083	1333	926	680	521	412	333	275	231	<table border="1"> <thead> <tr> <th colspan="3">% Open Area*</th> </tr> <tr> <th>Bars</th> <th>1/8"</th> <th>3/16"</th> </tr> </thead> <tbody> <tr> <td>4" cc</td> <td>N/A</td> <td>74%</td> </tr> <tr> <td>2" cc</td> <td>N/A</td> <td>68%</td> </tr> </tbody> </table>		% Open Area*			Bars	1/8"	3/16"	4" cc	N/A	74%	2" cc	N/A	68%
				% Open Area*																							
			Bars	1/8"	3/16"																						
			4" cc	N/A	74%																						
2" cc	N/A	68%																									
D	0.069	0.107	0.154	0.210	0.274	0.348	0.428	0.518	0.616																		
0.391	C	2083	1667	1389	1190	1042	926	833	758	694																	
	D	0.055	0.086	0.123	0.168	0.219	0.278	0.343	0.415	0.493																	
1-1/2 x 3/16	81	13.12	0.900	U	3000	1920	1333	980	750	593	480	397	333	284	245												
				D	0.057	0.089	0.129	0.175	0.229	0.289	0.357	0.432	0.514	0.604	0.700												
			0.675	C	3000	2400	2000	1714	1500	1333	1200	1091	1000	923	857												
				D	0.046	0.071	0.103	0.140	0.183	0.231	0.286	0.346	0.411	0.483	0.560												
1-3/4 x 3/16	91	14.67	1.225	U	4083	2613	1815	1333	1021	807	653	540	454	387	333	255											
				D	0.049	0.077	0.110	0.150	0.196	0.248	0.306	0.370	0.441	0.518	0.599	0.783											
			1.072	C	4083	3267	2722	2333	2042	1815	1633	1485	1361	1256	1167	1021											
				D	0.039	0.061	0.088	0.120	0.157	0.198	0.245	0.296	0.353	0.414	0.480	0.627											
2 x 3/16	101	17.29	1.600	U	5333	3413	2370	1741	1333	1053	853	705	593	505	435	333											
				D	0.043	0.067	0.096	0.131	0.171	0.217	0.268	0.324	0.386	0.453	0.525	0.685											
			1.600	C	5333	4267	3556	3048	2667	2370	2133	1939	1778	1641	1524	1333											
				D	0.034	0.054	0.077	0.105	0.137	0.174	0.214	0.259	0.309	0.362	0.420	0.548											
2-1/4 x 3/16	110	19.47	2.025	U	6750	4320	3000	2204	1688	1333	1080	893	750	639	551	422											
				D	0.038	0.060	0.086	0.117	0.152	0.193	0.238	0.288	0.343	0.402	0.467	0.610											
			2.278	C	6750	5400	4500	3857	3375	3000	2700	2455	2250	2077	1929	1688											
				D	0.030	0.048	0.069	0.093	0.122	0.154	0.190	0.231	0.274	0.322	0.373	0.488											
2-1/2 x 3/16	119	21.48	2.500	U	8333	5333	3704	2721	2083	1646	1333	1102	926	789	680	521											
				D	0.034	0.054	0.077	0.105	0.137	0.174	0.214	0.259	0.309	0.362	0.420	0.549											
			3.125	C	8333	6667	5556	4762	4167	3704	3333	3030	2778	2564	2381	2083											
				D	0.027	0.043	0.062	0.084	0.110	0.139	0.171	0.207	0.247	0.290	0.336	0.439											

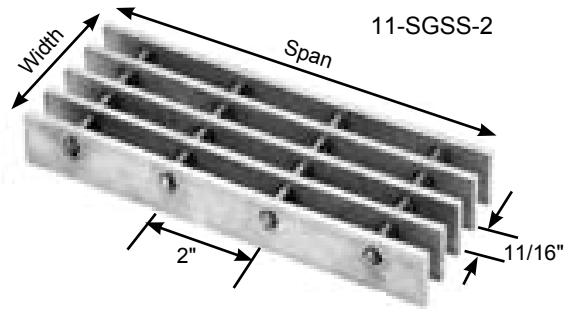
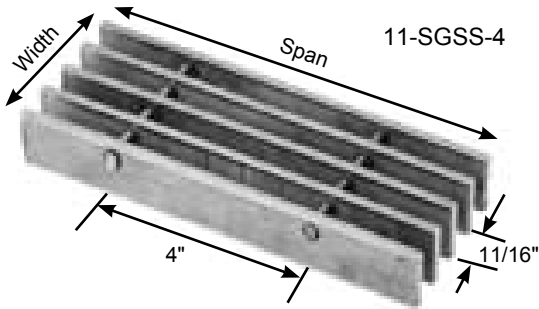
*Based on 12.8 bars/ft. of grating width. Bearing bars 15/16" c.c. Add .6 lbs./sq. ft. for 15-SGSS-2. 1/8" bearing bars available by inquiry. Note: Grating for spans to the left of the heavy line have a deflection less than 1/4" for uniform loads of 100 lbs./sq. ft. This is the maximum deflection to afford pedestrian comfort and can be exceeded for other types of load at the discretion of the engineer. The actual Ped (pedestrian) Span under this condition is shown above for each size of grating. When serrated grating is specified, the depth of grating required for a specific load will be 1/4" greater than that shown in these tables. 3/4" x 3/16" serrated grating is not available.

Panel Width Chart (in.) - 15-SGSS-4 & 15-SGSS-2															
Dimensions Are Out-to-Out of Bearing Bars**															
No. of Bars	2	3	4	5	6	7	8	9	10	11	12	13	14	15	16
3/16" Bars	1-1/8	2-1/16	3	3-15/16	4-7/8	5-13/16	6-3/4	7-11/16	8-5/8	9-9/16	10-1/2	11-7/16	12-3/8	13-5/16	14-1/4
No. of Bars	17	18	19	20	21	22	23	24	25	26	27	28	29	30	31
3/16" Bars	15-3/16	16-1/8	17-1/16	18	18-15/16	19-7/8	20-13/16	21-3/4	22-11/16	23-5/8	24-9/16	25-1/2	26-7/16	27-3/8	28-5/16
No. of Bars	32	33	34	35	36	37	38	39							
3/16" Bars	29-1/4	30-3/16	31-1/8	32-1/16	33	33-15/16	34-7/8	35-13/16							

**Add 1/4" for extended cross bars. Deduct 1/16" for 1/8" bearing bars. Standard panel widths indicated in red.

11 SPACE

Visit http://www.ohiogratings.com/prod_specs.html for full product specifications.



Bar Size, Inches	Ped Span, Inches	Wt.* Lbs. Sq. Ft.	Sec. Prop Sx*, in ² lx*, in ⁴	ClearSpan												
				2'- 0"	2'- 6"	3'- 0"	3'- 6"	4'- 0"	4'- 6"	5'- 0"	5'- 6"	6'- 0"	6'- 6"	7'- 0"	8'- 0"	
3/4 x 3/16	52	9.32	0.307	U	1023	655	455	334	256	202						
				D	0.114	0.179	0.257	0.350	0.458	0.578						
			0.115	C	1023	818	682	584	511	455						
				D	0.091	0.143	0.206	0.280	0.365	0.463						
1 x 3/16	65	11.99	0.545	U	1818	1164	808	594	455	359	291	240				
				D	0.086	0.134	0.193	0.263	0.343	0.434	0.536	0.647				
			0.273	C	1818	1455	1212	1039	909	808	727	661				
				D	0.069	0.107	0.154	0.210	0.274	0.347	0.428	0.518				
1-1/4 x 3/16	77	14.83	0.852	U	2841	1818	1263	928	710	561	455	376	316	269		
				D	0.069	0.107	0.154	0.210	0.274	0.347	0.429	0.519	0.618	0.724		
			0.533	C	2841	2273	1894	1623	1420	1263	1136	1033	947	874		
				D	0.055	0.086	0.123	0.168	0.219	0.278	0.343	0.415	0.494	0.579		
1-1/2 x 3/16	88	17.68	1.227	U	4091	2618	1818	1336	1023	808	655	541	455	387	334	256
				D	0.057	0.089	0.129	0.175	0.229	0.289	0.357	0.432	0.515	0.603	0.700	0.815
			0.920	C	4091	3273	2727	2338	2046	1818	1636	1488	1364	1259	1169	1023
				D	0.046	0.071	0.103	0.140	0.183	0.231	0.286	0.346	0.412	0.483	0.560	0.648
1-3/4 x 3/16	99	19.79	1.670	U	5568	3564	2475	1818	1392	1100	891	736	619	527	455	348
				D	0.049	0.077	0.110	0.150	0.196	0.248	0.306	0.370	0.441	0.517	0.601	0.784
			1.462	C	5568	4455	3712	3182	2784	2475	2227	2025	1856	1713	1591	1392
				D	0.039	0.061	0.088	0.120	0.157	0.198	0.245	0.296	0.353	0.414	0.480	0.627
2 x 3/16	109	23.37	2.182	U	7273	4655	3232	2375	1818	1437	1164	962	808	689	594	455
				D	0.043	0.067	0.096	0.131	0.171	0.217	0.268	0.324	0.386	0.453	0.525	0.686
			2.182	C	7273	5818	4849	4156	3636	3232	2909	2645	2424	2238	2078	1818
				D	0.034	0.054	0.077	0.105	0.137	0.174	0.214	0.259	0.309	0.362	0.420	0.549
2-1/4 x 3/16	119	26.34	2.761	U	9205	5891	4091	3006	2301	1818	1473	1217	1023	871	751	575
				D	0.038	0.060	0.086	0.117	0.152	0.193	0.238	0.288	0.343	0.402	0.466	0.609
			3.107	C	9205	7364	6137	5260	4602	4091	3682	3347	3068	2832	2630	2301
				D	0.030	0.048	0.069	0.093	0.122	0.154	0.190	0.230	0.274	0.322	0.373	0.488
2-1/2 x 3/16	129	29.08	3.409	U	11364	7273	5051	3711	2841	2245	1818	1503	1263	1076	928	710
				D	0.034	0.054	0.077	0.105	0.137	0.174	0.214	0.259	0.309	0.362	0.420	0.548
			4.261	C	11364	9091	7576	6494	5682	5051	4546	4132	3788	3497	3247	2841
				D	0.027	0.043	0.062	0.084	0.110	0.139	0.171	0.207	0.247	0.290	0.336	0.439

% Open Area*			
Bars	1/8"	3/16"	
4" cc	N/A	67%	
2" cc	N/A	62%	

Loads and deflections are theoretical and are based on a unit stress of 20,000 psi.

*Based on 17.455 bars/ft. of grating width. Bearing bars 11/16" c.c. Add .6 lbs./sq. ft. for 11-SGSS-2. 1/8" bearing bars available by inquiry. Note: Grating for spans to the left of the heavy line have a deflection less than 1/4" for uniform loads of 100 lbs./sq. ft. This is the maximum deflection to afford pedestrian comfort and can be exceeded for other types of load at the discretion of the engineer. The actual Ped (pedestrian) Span under this condition is shown above for each size of grating. When serrated grating is specified, the depth of grating required for a specific load will be 1/4" greater than that shown in these tables. 3/4" x 3/16" serrated grating is not available.

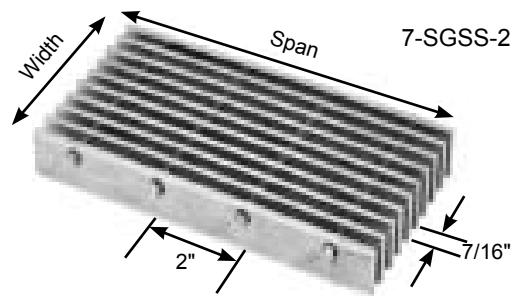
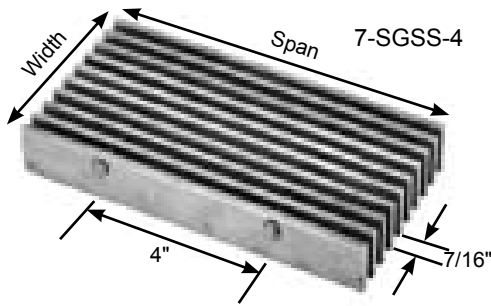
Panel Width Chart (in.) - 11-SGSS-4 & 11-SGSS-2 Dimensions Are Out-to-Out of Bearing Bars**

No. of Bars	2	3	4	5	6	7	8	9	10	11	12	13	14	15	16
3/16" Bars	7/8	1-9/16	2-1/4	2-15/16	3-5/8	4-5/16	5	5-11/16	6-3/8	7-1/16	7-3/4	8-7/16	9-1/8	9-13/16	10-1/2
No. of Bars	17	18	19	20	21	22	23	24	25	26	27	28	29	30	31
3/16" Bars	11-3/16	11-7/8	12-9/16	13-1/4	13-15/16	14-5/8	15-5/16	16	16-11/16	17-3/8	18-1/16	18-3/4	19-7/16	20-1/8	20-13/16
No. of Bars	32	33	34	35	36	37	38	39	40	41	42	43	44	45	46
3/16" Bars	21-1/2	22-3/16	22-7/8	23-9/16	24-1/4	24-15/16	25-5/8	26-5/16	27	27-11/16	28-3/8	29-1/16	29-3/4	30-7/16	31-1/8
No. of Bars	47	48	49	50	51	52	53								
3/16" Bars	31-13/16	32-1/2	33-3/16	33-7/8	34-9/16	35-1/4	35-15/16								

**Add 1/4" for extended cross bars. Deduct 1/16" for 1/8" bearing bars. Standard panel widths indicated in red.

7 SPACE

Visit http://www.ohiogratings.com/prod_specs.html for full product specifications.



% Open Area*		
Bars	1/8"	3/16"
4" cc	N/A	52%
2" cc	N/A	48%

Bar Size, Inches	Ped Span, Inches	Wt.* Lbs. Sq. Ft.	Sec.Prop Sx*, in ³ lx*, in'	ClearSpan													
				2'- 0"	2'- 6"	3'- 0"	3'- 6"	4'- 0"	4'- 6"	5'- 0"	5'- 6"	6'- 0"	6'- 6"	7'- 0"	8'- 0"		
3/4 x 3/16	58	14.30	0.482	U	1607	1029	714	525	402	317	257	U - Safe uniform load in pounds/sq. ft.					
				D	0.114	0.179	0.257	0.350	0.457	0.578	0.714	C - Safe concentrated load in pounds/ft. grating width					
			0.181	C	1607	1286	1071	918	804	714	643	D - Deflection in inches					
				D	0.091	0.143	0.206	0.280	0.366	0.463	0.572	Loads and deflections are theoretical and based on a unit stress of 20,000 psi.					
1 x 3/16	73	18.50	0.857	U	2857	1829	1270	933	714	564	457	378	317	271			
				D	0.086	0.134	0.193	0.263	0.343	0.434	0.536	0.649	0.770	0.907			
			0.429	C	2857	2286	1905	1633	1429	1270	1143	1039	952	879			
				D	0.069	0.107	0.154	0.210	0.274	0.347	0.429	0.519	0.617	0.724			
1-1/4 x 3/16	86	22.97	1.339	U	4464	2857	1984	1458	1116	882	714	590	496	423	364	279	
				D	0.069	0.107	0.154	0.210	0.274	0.347	0.428	0.518	0.617	0.725	0.839	1.097	
			0.837	C	4464	3571	2976	2551	2232	1984	1786	1623	1488	1374	1276	1116	
				D	0.055	0.086	0.123	0.168	0.219	0.278	0.343	0.415	0.494	0.580	0.672	0.878	
1-1/2 x 3/16	98	27.44	1.929	U	6429	4114	2857	2099	1607	1270	1029	850	714	609	525	402	
				D	0.057	0.089	0.129	0.175	0.229	0.289	0.357	0.432	0.514	0.604	0.700	0.915	
			1.446	C	6429	5143	4286	3674	3214	2857	2571	2338	2143	1978	1837	1607	
				D	0.046	0.071	0.103	0.140	0.183	0.231	0.286	0.346	0.411	0.483	0.560	0.731	
1-3/4 x 3/16	110	30.76	2.625	U	8750	5600	3889	2857	2188	1728	1400	1157	972	828	714	547	
				D	0.049	0.077	0.110	0.150	0.196	0.248	0.306	0.370	0.441	0.517	0.600	0.784	
			2.297	C	8750	7000	5833	5000	4375	3889	3500	3182	2917	2692	2500	2188	
				D	0.039	0.061	0.088	0.120	0.157	0.198	0.245	0.296	0.353	0.414	0.480	0.627	
2 x 3/16	122	36.38	3.429	U	11429	7314	5079	3732	2857	2258	1829	1511	1270	1082	933	714	
				D	0.043	0.067	0.096	0.131	0.171	0.217	0.268	0.324	0.386	0.453	0.525	0.685	
			3.429	C	11429	9143	7619	6531	5714	5079	4572	4156	3810	3517	3265	2857	
				D	0.034	0.054	0.077	0.105	0.137	0.174	0.214	0.259	0.309	0.362	0.420	0.549	
2-1/4 x 3/16	133	41.05	4.339	U	14465	9257	6429	4723	3616	2857	2314	1913	1607	1369	1181	904	
				D	0.038	0.060	0.086	0.117	0.152	0.193	0.238	0.288	0.343	0.402	0.467	0.610	
			4.882	C	14465	11572	9643	8265	7232	6429	5786	5260	4822	4451	4133	3616	
				D	0.030	0.048	0.069	0.093	0.122	0.154	0.190	0.230	0.274	0.322	0.373	0.488	
2-1/2 x 3/16	144	45.35	5.357	U	17857	11429	7937	5831	4464	3527	2857	2361	1984	1691	1458	1116	
				D	0.034	0.054	0.077	0.105	0.137	0.174	0.214	0.259	0.309	0.362	0.420	0.549	
			6.697	C	17857	14286	11905	10204	8929	7937	7143	6494	5952	5495	5102	4464	
				D	0.027	0.043	0.062	0.084	0.110	0.139	0.171	0.207	0.247	0.290	0.336	0.439	

*Based on 27.429 bars/ft. of grating width. Bearing bars 7/16" c.c. Add .6 lbs./sq. ft. for 7-SGSS-2. 1/8" bearing bars available by inquiry. Note: Grating for spans to the left of the heavy line have a deflection less than 1/4" for uniform loads of 100 lbs./sq. ft. This is the maximum deflection to afford pedestrian comfort and can be exceeded for other types of load at the discretion of the engineer. The actual Ped (pedestrian) Span under this condition is shown above for each size of grating. When serrated grating is specified, the depth of grating required for a specific load will be 1/4" greater than that shown in these tables. 3/4" x 3/16" serrated grating is not available.

Panel Width Chart (in.) - 7-SGSS-4 & 7-SGSS-2																
Dimensions Are Out-to-Out of Bearing Bars**																
No. of Bars	2	3	4	5	6	7	8	9	10	11	12	13	14	15	16	
3/16" Bars	5/8	1-1/16	1-1/2	1-15/16	2-3/8	2-13/16	3-1/4	3-11/16	4-1/8	4-9/16	5	5-7/16	5-7/8	6-5/16	6-3/4	
No. of Bars	17	18	19	20	21	22	23	24	25	26	27	28	29	30	31	
3/16" Bars	7-3/16	7-5/8	8-1/16	8-1/2	8-15/16	9-3/8	9-13/16	10-1/4	10-11/16	11-1/8	11-9/16	12	12-7/16	12-7/8	13-5/16	
No. of Bars	32	33	34	35	36	37	38	39	40	41	42	43	44	45	46	
3/16" Bars	13-3/4	14-3/16	14-5/8	15-1/16	15-1/2	15-15/16	16-3/8	16-13/16	17-1/4	17-11/16	18-1/8	18-9/16	19	19-7/16	19-7/8	
No. of Bars	47	48	49	50	51	52	53	54	55	56	57	58	59	60	61	
3/16" Bars	20-5/16	20-3/4	21-3/16	21-5/8	22-1/16	22-1/2	22-15/16	23-3/8	23-13/16	24-1/4	24-11/16	25-1/8	25-9/16	26	26-7/16	
No. of Bars	62	63	64	65	66	67	68	69	70	71	72	73	74	75	76	
3/16" Bars	26-7/8	27-5/16	27-3/4	28-3/16	28-5/8	29-1/16	29-1/2	29-15/16	30-3/8	30-13/16	31-1/4	31-11/16	32-1/8	32-9/16	33	
No. of Bars	77	78	79	80	81	82	83									
3/16" Bars	33-7/16	33-7/8	34-5/16	34-3/4	35-3/16	35-5/8	36-1/16									

**Add 1/4" for extended cross bars. Deduct 1/16" for 1/8" bearing bars. Standard panel widths indicated in red.

HEAVY DUTY STEEL FEATURES & BENEFITS

Features & Benefits

This type of grating is used in areas where heavy static or rolling loads are encountered including heavy vehicular truck traffic up to H-20 loading. Calculations for vehicular loadings are based on AASHTO Standard Specifications for Highway Bridges and can be calculated by our Engineering department for your specific applications.

Heavy Duty Welded carbon steel is the most popular choice where high strength is required. For those applications requiring an ADA type product, our Wheels n' Heels[®] product offers the strength of the standard welded grating along with a spacing which allows 1/4" opening between bearing bars which conforms to the provisions with the "Americans with Disabilities Act" for pedestrian and wheelchair accessibility. To round out our heavy duty line, Ohio Gratings offers our heavy duty riveted product which is the oldest grating product on the market and continues to be popular with the engineering community.



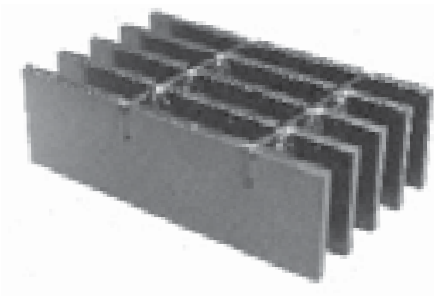
“OGI has been manufacturing heavy duty carbon steel grating since 1971.”

Whether the requirement is for stock panels or custom fabrication “Made Right and Shipped When Promised”, Ohio Gratings is the choice of a nationwide base of customers whose primary criteria are quality and service.



HEAVY DUTY STEEL PRODUCTS

Heavy Duty Welded Steel



Welded carbon heavy duty steel grating is the most popular choice where high strength is the primary grating requirement. The main bars are slotted and assembled with cross bars which are welded with the one fillet weld at every joint. Stainless steel can also be provided for those high corrosive applications. This product meets the demanding vehicle loading requirements of AASHTO and is geared to handle heavy rolling loads. Slip resistant surfaces are available. The typical markets for heavy duty steel grating include airfields, highway bridges, ramps, docks, industrial flooring and trenches.



Wheels n' Heels® Heavy Duty Steel

Wheels n' Heels® is the first grating product which satisfies both the vehicle loading requirements of AASHTO and the pedestrian comfort requirements of the “Americans with Disabilities Act”. Made from Grade 36 steel bar, this product will clear span up to 8' under H15 and H20 wheel loads and can be provided in piece sizes up to 3' wide by 20' long. In addition, the close spacing of the bearing bars offers a pedestrian friendly 1/4" or 1/2" opening which allows easy access to wheelchair and high heel traffic. Slip resistant surfaces are also available.



Heavy Duty Riveted Steel

The most traditional of the grating products, is our heavy duty riveted grating. It continues to be the choice of many engineers due to its reliability and durability. Bearing bars are connected with a reticuline bar to form a truss-like grid which is best suited to handle the high impact and lateral forces encountered in bridge deck applications. Riveted grating is widely used in areas which experience the dynamics of partially distributed wheel loadings. Because of its light weight and simple installation as compared to other surfaces, metal riveted bar grating permits resurfacing to handle heavier loads without the need for expensive substructure work. This material can be stocked in inventory by municipalities for quick installation. Slip resistant surfaces are available.



HEAVY DUTY STEEL DESIGN CRITERIA






Design Criteria

The following pages show capacities on the basis of vehicular load distribution and concentrated loading per foot of grating width for a given span. Calculations for concentrated load are similar in format to those for Light Duty Steel grating shown on page 40, except $F = 20,000$ psi. Calculations for vehicular loadings are based on AASHTO Standard Specifications for Highway Bridges and utilize the following formulas:

- | | |
|---|---|
| M = Bending Moment | a = Partial Load Contact Parallel to Span - inches |
| S = Section Modulus - in ³ /ft of grating width | s = Center-to-Center Spacing Between Bearing Bars - in. |
| I = Moment of Inertia - in ⁴ /bar | b = Partial Load Contact Dimension at 90° to Span - in. |
| E = Modulus of Elasticity (29,000,000 psi) | b = a + (2s) |
| F = Allowable Bending Stress (20,000 psi) | P = Total Wheel or Partial Load Including Load Impact - lbs. |
| L = Simple Clear Span - inches | P₁ = P per bearing bar |
| D = Deflection - inches | P₁ = P x (s/b) |

Step 1. Determine M:	$M = \frac{FS}{12}$				
Step 2. Substituting for M, solve for L:	<table border="0"> <tr> <td>(i) $a > L$</td> <td>(ii) $a < L$</td> </tr> <tr> <td>$M = \frac{PL^2}{8ab}$</td> <td>$M = \frac{P(.25L - .125a)}{b}$</td> </tr> </table>	(i) $a > L$	(ii) $a < L$	$M = \frac{PL^2}{8ab}$	$M = \frac{P(.25L - .125a)}{b}$
(i) $a > L$	(ii) $a < L$				
$M = \frac{PL^2}{8ab}$	$M = \frac{P(.25L - .125a)}{b}$				
Step 3. Check D*:	$D = \frac{P_1[(2L^3) - (a^2L) + (a^3/4)]}{96EI}$				

*Deflection should be limited to 1/400 span.

Maximum Traffic Conditions	Wheel Load (lbs.) (1/2 of Axle Load + 30% Impact)	Loading	Load Distribution**	
			a	b
Truck Traffic 32,000 Lb. Axle Load Dual Wheels 	20,800	H-20	20"	20" + (2s)
Truck Traffic 24,000 Lb. Axle Load Dual Wheels 	15,600	H-15	15"	15" + (2s)
10,000 Lb. Capacity Lift Truck 14,400 Lb. Vehicle 24,400 Lb. Total Load 85% Drive Axle Load (Rubber Tires) 	13,480	5 Ton	11"	11" + (2s)
6,000 Lb. Capacity Lift Truck 9,800 Lb. Vehicle 15,800 Lb. Total Load 85% Drive Axle Load (Rubber Tires) 	8,730	3 Ton	7"	7" + (2s)
2,000 Lb. Capacity Lift Truck 4,200 Lb. Vehicle 6,200 Lb. Total Load 85% Drive Axle Load (Rubber Tires) 	3,425	1 Ton	4"	4" + (2s)

- NOTES:**
- (1) For continuous spans, use continuity factor = .80.
 - (2) This distribution results in larger grating sizes for lighter trucks on shorter spans. Spans shown for H15/H20 reflect the more critical condition.
 - (3) The fork lift wheel loads and load distribution patterns depicted above, generally, and only partially, represent the broad range of rubber-tired lift trucks available. For those applications falling outside of these examples, please contact the factory.
 - (4) Wheeled vehicles with urethane tires should NEVER be used in conjunction with open grid bar grating.
 - (5) HS20 is the same as H20 and HS15 is the same as H15. The "S" stands for semi-trailer.

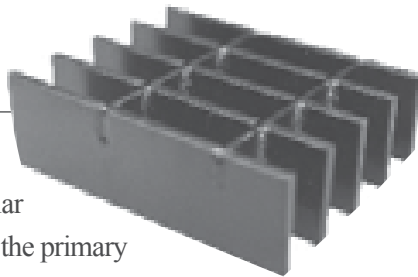
Information of a technical nature contained herein is intended only for evaluation by technically skilled persons, with any use thereof to be at their independent discretion and risk. Such information is reliable when evaluated in the proper manner under conditions as described herein. Ohio Gratings, Inc. shall have no responsibility or liability for results obtained or damages resulting from improper evaluation or use.

HEAVY DUTY WELDED STEEL



W SERIES

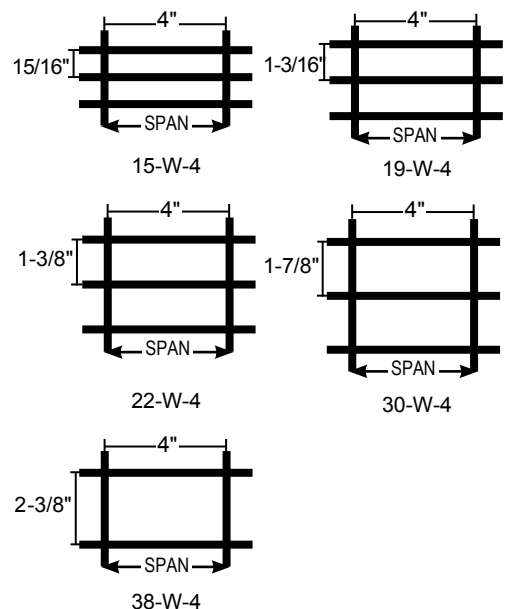
Welded carbon heavy duty steel grating is the most popular choice where high strength is the primary grating requirement. The main bars are slotted and assembled with cross bars which are welded with one fillet weld at every joint. Stainless steel can also be provided for those high corrosive applications. This product meets the demanding vehicle loading requirements of AASHTO and is geared to handle heavy rolling loads. Slip resistant surfaces are available. The typical applications for our heavy duty steel products include airfield landing mats and trenches, airplane unloading ramps, highway bridge decking, sidewalks, concrete reinforcements, vault covers, ramps, docks, industrial flooring, trenches, off-shore drilling rigs and paper mills.

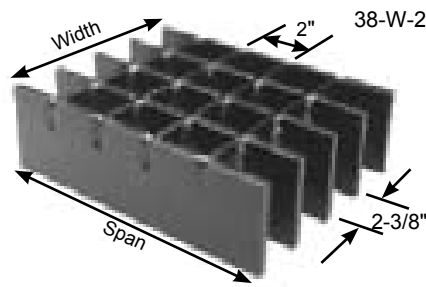
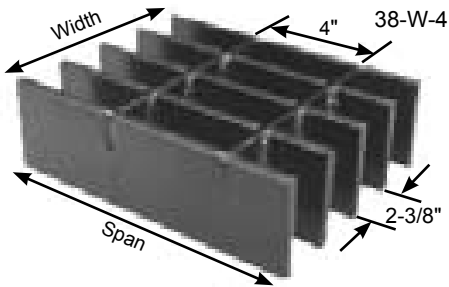


GRATING PROFILES AVAILABLE...

W SERIES Heavy Duty Welded Steel

All profiles shown below are also available with 2" cross bar centers. Product numbers would be 15-W-2, 19-W-2, 22-W-2, 30-W-2 and 38-W-2.





		% Open Area*			
BB Size	CB Ctrs	Bearing Bar Thickness			
		1/4"	5/16"	3/8"	1/2"
Thru 2-1/2"	4" cc	82%	80%	77%	—
	2" cc	76%	73%	71%	—
3" to 6"	4" cc	84%	82%	79%	74%
	2" cc	80%	78%	75%	71%

Bar Size, Inches	Wt.** Lbs. Sq. Ft.	Section Properties		Maximum Safe Clear Span, Inches- Partially Distributed Load			
		Sx**, in ³ Ft. Width	Ix**, in ⁴ Ft. Width				
				1 Ton	3 Ton	5 Ton	H15/H20
1 x 1/4	5.42	0.211	0.105	5	5	6	7
1 x 3/8	7.57	0.316	0.158	7	6	7	8
1-1/4 x 1/4	6.50	0.329	0.206	7	6	7	9
1-1/4 x 3/8	9.18	0.493	0.308	10	7	9	11
1-1/2 x 1/4	7.57	0.474	0.355	10	7	9	10
1-1/2 x 5/16	9.18	0.592	0.444	12	8	10	12
1-1/2 x 3/8	10.79	0.711	0.533	14	9	11	13
1-3/4 x 1/4	8.64	0.645	0.564	12	9	10	12
1-3/4 x 3/8	12.40	0.967	0.846	18	12	13	15
2 x 1/4	9.72	0.842	0.842	16	11	12	14
2 x 5/16	11.86	1.053	1.053	19	12	13	16
2 x 3/8	14.01	1.263	1.263	23	14	15	18
2-1/4 x 1/4	10.79	1.066	1.199	20	13	13	16
2-1/4 x 3/8	15.62	1.599	1.799	29	17	17	20
2-1/2 x 1/4	11.86	1.316	1.645	24	15	15	18
2-1/2 x 5/16	14.55	1.645	2.056	30	18	18	21
2-1/2 x 3/8	17.23	1.974	2.467	35	21	20	24
3 x 1/4	15.44	1.895	2.842	34	20	20	23
3 x 5/16	18.66	2.369	3.553	42	24	23	27
3 x 3/8	21.88	2.842	4.263	50	29	27	31
3 x 1/2	28.32	3.790	5.685	64*	37	35	39
3-1/2 x 1/4	17.58	2.579	4.513	45	26	25	29
3-1/2 x 3/8	25.10	3.869	6.770	67	38	35	40
3-1/2 x 1/2	32.62	5.158	9.027	81*	49	45	50
4 x 1/4	19.73	3.369	6.737	59	33	31	35
4 x 5/16	24.03	4.211	8.422	73	41	38	43
4 x 3/8	28.32	5.053	10.106	86*	48	44	50
4 x 1/2	36.91	6.737	13.475	96	63	57	63
4-1/2 x 1/4	21.88	4.263	9.593	74	41	38	43
4-1/2 x 3/8	31.54	6.395	14.389	96	60	55	60
4-1/2 x 1/2	41.21	8.527	19.186	96	80	71	77
5 x 1/4	24.03	5.264	13.159	91	50	46	51
5 x 5/16	29.40	6.579	16.449	96	62	56	62
5 x 3/8	34.76	7.895	19.738	96	74	66	72
5 x 1/2	45.50	10.527	26.318	96	96	87	93
5-1/2 x 1/4	26.17	6.369	17.514	96	60	55	60
5-1/2 x 3/8	37.99	9.553	26.272	96	89	79	85
5-1/2 x 1/2	49.80	12.738	35.029	96	96	96	96
6 x 1/4	28.32	7.580	22.739	96	71	64	70
6 x 5/16	34.76	9.474	28.423	96	88	79	85
6 x 3/8	41.21	11.369	34.108	96	96	94	96
6 x 1/2	54.09	15.159	45.477	96	96	96	96

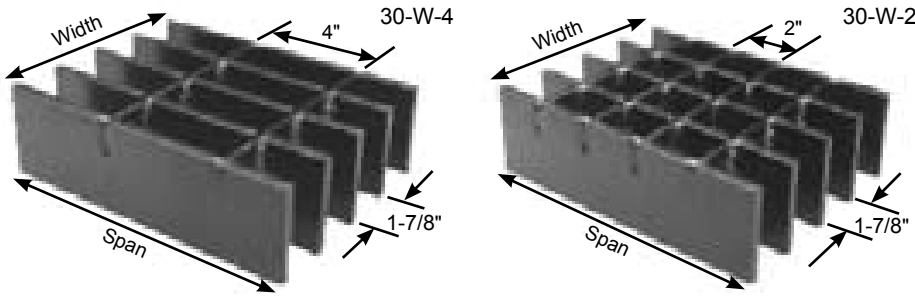
*Span limited to 1/400 of span = Deflection. **Based on 5.053 bars/ft of grating width. Bearing bars 2-3/8" c.c.
When serrated grating is specified, the depth of grating required for a specified load will be 1/4" greater than that shown in these tables. Weights shown are for 4" cross bar centers. Add 1.13 lbs./sq. ft. (3/8" Dia.) or 2.55 lbs./sq. ft. (1" x 1/4") for 2" cross bar centers. Cross bars are determined based on project applications and bearing bar height.

Bar Size Inches	Maximum Safe Concentrated Load*, Lbs. - Clear Span													
	1'- 0"	1'- 6"	2'- 0"	2'- 6"	3'- 0"	3'- 6"	4'- 0"	4'- 6"	5'- 0"	5'- 6"	6'- 0"	7'- 0"	8'- 0"	
1 x 1/4	1407	938	703	563	469	402								
1 x 3/8	2107	1404	1053	843	702	602								
1-1/4 x 1/4	2193	1462	1097	877	731	627	548							
1-1/4 x 3/8	3287	2191	1643	1315	1096	939	822							
1-1/2 x 1/4	3160	2107	1580	1264	1053	903	790	702						
1-1/2 x 5/16	3947	2631	1973	1579	1316	1128	987	877						
1-1/2 x 3/8	4740	3160	2370	1896	1580	1354	1185	1053						
1-3/4 x 1/4	4300	2867	2150	1720	1433	1229	1075	956	860					
1-3/4 x 3/8	6447	4298	3223	2579	2149	1842	1612	1433	1289					
2 x 1/4	5613	3742	2807	2245	1871	1604	1403	1247	1123					
2 x 5/16	7020	4680	3510	2808	2340	2006	1755	1560	1404					
2 x 3/8	8420	5613	4210	3368	2807	2406	2105	1871	1684					
2-1/4 x 1/4	7107	4738	3553	2843	2369	2030	1777	1579	1421	1292				
2-1/4 x 3/8	10660	7107	5330	4264	3553	3046	2665	2369	2132	1938				
2-1/2 x 1/4	8773	5849	4387	3509	2924	2507	2193	1950	1755	1595	1462			
2-1/2 x 5/16	10967	7311	5483	4387	3656	3133	2742	2437	2193	1994	1828			
2-1/2 x 3/8	13160	8773	6580	5264	4387	3760	3290	2924	2632	2393	2193			
3 x 1/4	12633	8422	6317	5053	4211	3610	3158	2807	2527	2297	2106			
3 x 5/16	15793	10529	7897	6317	5264	4512	3948	3510	3159	2872	2632			
3 x 3/8	18947	12631	9473	7579	6316	5413	4737	4210	3789	3445	3158			
3 x 1/2	25267	16844	12633	10107	8422	7219	6317	5615	5053	4594	4211			
3-1/2 x 1/4	17193	11462	8597	6877	5731	4912	4298	3821	3439	3126	2866	2456		
3-1/2 x 3/8	25793	17196	12897	10317	8598	7370	6448	5732	5159	4690	4299	3685		
3-1/2 x 1/2	34387	22924	17193	13755	11462	9825	8597	7641	6877	6252	5731	4912		
4 x 1/4	22460	14973	11230	8984	7487	6417	5615	4991	4492	4084	3743	3209		
4 x 5/16	28073	18716	14037	11229	9358	8021	7018	6239	5615	5104	4679	4010		
4 x 3/8	33687	22458	16843	13475	11229	9625	8422	7486	6737	6125	5614	4812		
4 x 1/2	44913	29942	22457	17965	14971	12832	11228	9981	8983	8166	7486	6416		
4-1/2 x 1/4	28420	18947	14210	11368	9473	8120	7105	6316	5684	5167	4737	4060	3553	
4-1/2 x 3/8	42633	28422	21317	17053	14211	12181	10658	9474	8527	7752	7106	6090	5329	
4-1/2 x 1/2	56847	37898	28423	22739	18949	16242	14212	12633	11369	10336	9474	8121	7106	
5 x 1/4	35093	23396	17547	14037	11698	10027	8773	7799	7019	6381	5849	5013	4387	
5 x 5/16	43860	29240	21930	17544	14620	12531	10965	9747	8772	7975	7310	6266	5483	
5 x 3/8	52633	35089	26317	21053	17544	15038	13158	11696	10527	9570	8772	7519	6579	
5 x 1/2		46787	35090	28072	23393	20051	17545	15596	14036	12760	11697	10026	8773	
5-1/2 x 1/4		28307	21230	16984	14153	12131	10615	9436	8492	7720	7077	6066	5308	
5-1/2 x 3/8		42458	31843	25475	21229	18196	15922	14153	12737	11579	10614	9098	7961	
5-1/2 x 1/2		56613	42460	33968	28307	24263	21230	18871	16984	15440	14153	12131	10615	
6 x 1/4		33689	25267	20213	16844	14438	12633	11230	10107	9188	8422	7219	6317	
6 x 5/16		42107	31580	25264	21053	18046	15790	14036	12632	11484	10527	9023	7895	
6 x 3/8		50529	37897	30317	25264	21655	18948	16843	15159	13781	12632	10828	9474	
6 x 1/2			50530	40424	33687	28874	25265	22458	20212	18375	16843	14437	12633	

% Open Area*					
BB Size	CB Ctrs	Bearing Bar Thickness			
		1/4"	5/16"	3/8"	1/2"
Thru 2-1/2"	4" cc	82%	80%	77%	-
	2" cc	76%	73%	71%	-
3" to 6"	4" cc	84%	82%	79%	74%
	2" cc	80%	78%	75%	71%

*Based on 5.053 bars / ft. of grating width. Bearing bars 2-3/8" c.c. **Note:** When serrated grating is specified, the depth of grating required for a specific load will be 1/4" greater than that shown in these tables. Loads are theoretical and are based on a unit stress of 20,000 psi.

Panel Width Chart (in.) - 38-W-4 & 38-W-2		Dimensions Are Out-to-Out of Bearing Bars**													
No. of Bars	2	3	4	5	6	7	8	9	10	11	12	13	14	15	16
1/4" Bars	2-5/8	5	7-3/8	9-3/4	12-1/8	14-1/2	16-7/8	19-1/4	21-5/8	24	26-3/8	28-3/4	31-1/8	33-1/2	35-7/8
5/16" Bars	2-11/16	5-1/16	7-7/16	9-13/16	12-3/16	14-9/16	16-15/16	19-5/16	21-11/16	24-1/16	26-7/16	28-13/16	31-3/16	33-9/16	35-15/16
3/8" Bars	2-3/4	5-1/8	7-1/2	9-7/8	12-1/4	14-5/8	17	19-3/8	21-3/4	24-1/8	26-1/2	28-7/8	31-1/4	33-5/8	36
1/2" Bars	2-7/8	5-1/4	7-5/8	10	12-3/8	14-3/4	17-1/8	19-1/2	21-7/8	24-1/4	26-5/8	29	31-3/8	33-3/4	36-1/8



		% Open Area*			
BB Size	CB Ctrs	Bearing Bar Thickness			
		1/4"	5/16"	3/8"	1/2"
Thru	4" cc	79%	76%	73%	—
2-1/2"	2" cc	72%	70%	67%	—
3" to 6"	4" cc	82%	78%	75%	69%
	2" cc	77%	74%	71%	65%

Bar Size, Inches	Wt.** Lbs. Sq. Ft.	Section Properties		Maximum Safe Clear Span, Inches- Partially Distributed Load			
		Sx**, in ³ Ft. Width	Ix**, in ⁴ Ft. Width	1 Ton	3 Ton	5 Ton	H15/H20
1 x 1/4	6.57	0.267	0.133	6	5	6	8
1 x 3/8	9.29	0.400	0.200	8	6	8	9
1-1/4 x 1/4	7.93	0.417	0.260	8	6	8	10
1-1/4 x 3/8	11.33	0.625	0.391	11	8	10	12
1-1/2 x 1/4	9.29	0.600	0.450	11	8	9	12
1-1/2 x 5/16	11.33	0.750	0.563	13	9	10	13
1-1/2 x 3/8	13.37	0.900	0.675	15	10	12	14
1-3/4 x 1/4	10.65	0.817	0.715	14	10	11	14
1-3/4 x 3/8	15.40	1.225	1.072	20	13	14	17
2 x 1/4	12.01	1.067	1.067	18	12	13	16
2 x 5/16	14.73	1.333	1.333	22	14	15	18
2 x 3/8	17.45	1.600	1.600	26	16	17	20
2-1/4 x 1/4	13.37	1.350	1.519	22	14	15	18
2-1/4 x 3/8	19.49	2.025	2.278	32	20	20	23
2-1/2 x 1/4	14.73	1.667	2.083	27	17	17	20
2-1/2 x 5/16	18.12	2.083	2.604	33	20	20	24
2-1/2 x 3/8	21.53	2.500	3.125	39	24	23	27
3 x 1/4	18.87	2.400	3.600	38	23	23	26
3 x 5/16	22.95	3.000	4.500	47	28	27	31
3 x 3/8	27.03	3.600	5.400	56	33	31	36
3 x 1/2	35.19	4.800	7.200	68*	42	40	45
3-1/2 x 1/4	21.59	3.267	5.717	51	30	29	33
3-1/2 x 3/8	31.11	4.900	8.575	75*	43	41	46
3-1/2 x 1/2	40.63	6.533	11.433	86*	57	53	59
4 x 1/4	24.31	4.267	8.533	66	38	36	41
4 x 5/16	29.75	5.333	10.667	82	47	44	50
4 x 3/8	35.19	6.400	12.800	91*	56	52	58
4 x 1/2	46.07	8.533	17.067	96	73	67	74
4-1/2 x 1/4	27.03	5.400	12.150	83	47	44	50
4-1/2 x 3/8	39.27	8.100	18.225	96	69	64	71
4-1/2 x 1/2	51.51	10.800	24.300	96	92	84	90*
5 x 1/4	29.75	6.667	16.667	96	58	54	60
5 x 5/16	36.55	8.333	20.833	96	71	66	73
5 x 3/8	43.35	10.000	25.000	96	85	78	86
5 x 1/2	56.95	13.333	33.333	96	96	96	96
5-1/2 x 1/4	32.47	8.067	22.183	96	69	64	71
5-1/2 x 3/8	47.43	12.100	33.275	96	96	93	96
5-1/2 x 1/2	62.39	16.133	44.367	96	96	96	96
6 x 1/4	35.19	9.600	28.800	96	82	75	83
6 x 5/16	43.35	12.000	36.000	96	96	93	96
6 x 3/8	51.51	14.400	43.200	96	96	96	96
6 x 1/2	67.83	19.200	57.600	96	96	96	96

*Span limited to 1/400 of span = Deflection. **Based on 6.4 bars/ft of grating width. Bearing bars 1-7/8" c.c.
 When serrated grating is specified, the depth of grating required for a specified load will be 1/4" greater than that shown in these tables. Weights shown are for 4" cross bar centers. Add 1.13 lbs./sq. ft. (3/8" Dia.) or 2.55 lbs./sq. ft. (1" x 1/4") for 2" cross bar centers. Cross bars are determined based on project applications and bearing bar height.

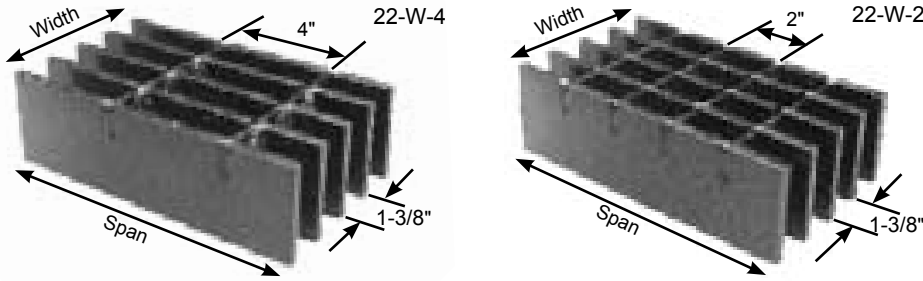
Bar Size Inches	Maximum Safe Concentrated Load*, Lbs. - Clear Span												
	1'- 0"	1'- 6"	2'- 0"	2'- 6"	3'- 0"	3'- 6"	4'- 0"	4'- 6"	5'- 0"	5'- 6"	6'- 0"	7'- 0"	8'- 0"
1 x 1/4	1780	1187	890	712	593	509							
1 x 3/8	2667	1778	1333	1067	889	762							
1-1/4 x 1/4	2780	1853	1390	1112	927	794	695						
1-1/4 x 3/8	4167	2778	2083	1667	1389	1190	1042						
1-1/2 x 1/4	4000	2667	2000	1600	1333	1143	1000	889					
1-1/2 x 5/16	5000	3333	2500	2000	1667	1429	1250	1111					
1-1/2 x 3/8	6000	4000	3000	2400	2000	1714	1500	1333					
1-3/4 x 1/4	5447	3631	2723	2179	1816	1556	1362	1210	1089				
1-3/4 x 3/8	8167	5444	4083	3267	2722	2333	2042	1815	1633				
2 x 1/4	7113	4742	3557	2845	2371	2032	1778	1581	1423				
2 x 5/16	8887	5924	4443	3555	2962	2539	2222	1975	1777				
2 x 3/8	10667	7111	5333	4267	3556	3048	2667	2370	2133				
2-1/4 x 1/4	9000	6000	4500	3600	3000	2571	2250	2000	1800	1636			
2-1/4 x 3/8	13500	9000	6750	5400	4500	3857	3375	3000	2700	2455			
2-1/2 x 1/4	11113	7409	5557	4445	3704	3175	2778	2470	2223	2021	1852		
2-1/2 x 5/16	13887	9258	6943	5555	4629	3968	3472	3086	2777	2525	2314		
2-1/2 x 3/8	16667	11111	8333	6667	5556	4762	4167	3704	3333	3030	2778		
3 x 1/4	16000	10667	8000	6400	5333	4571	4000	3556	3200	2909	2667		
3 x 5/16	20000	13333	10000	8000	6667	5714	5000	4444	4000	3636	3333		
3 x 3/8	24000	16000	12000	9600	8000	6857	6000	5333	4800	4364	4000		
3 x 1/2	32000	21333	16000	12800	10667	9143	8000	7111	6400	5818	5333		
3-1/2 x 1/4	21780	14520	10890	8712	7260	6223	5445	4840	4356	3960	3630	3111	
3-1/2 x 3/8	32667	21778	16333	13067	10889	9333	8167	7259	6533	5939	5444	4667	
3-1/2 x 1/2	43553	29036	21777	17421	14518	12444	10888	9679	8711	7919	7259	6222	
4 x 1/4	28447	18964	14223	11379	9482	8128	7112	6321	5689	5172	4741	4064	
4 x 5/16	35553	23702	17777	14221	11851	10158	8888	7901	7111	6464	5926	5079	
4 x 3/8	42667	28444	21333	17067	14222	12190	10667	9481	8533	7758	7111	6095	
4 x 1/2	56887	37924	28443	22755	18962	16253	14222	12641	11377	10343	9481	8127	
4-1/2 x 1/4	36000	24000	18000	14400	12000	10286	9000	8000	7200	6545	6000	5143	4500
4-1/2 x 3/8	54000	36000	27000	21600	18000	15429	13500	12000	10800	9818	9000	7714	6750
4-1/2 x 1/2		48000	36000	28800	24000	20571	18000	16000	14400	13091	12000	10286	9000
5 x 1/4		29631	22223	17779	14816	12699	11112	9877	8889	8081	7408	6350	5556
5 x 5/16		37036	27777	22221	18518	15872	13888	12345	11111	10101	9259	7936	6944
5 x 3/8		44444	33333	26667	22222	19048	16667	14815	13333	12121	11111	9524	8333
5 x 1/2		59258	44443	35555	29629	25396	22222	19753	17777	16161	14814	12698	11111
5-1/2 x 1/4		35853	26890	21512	17927	15366	13445	11951	10756	9778	8963	7683	6723
5-1/2 x 3/8		53778	40333	32267	26889	23048	20167	17926	16133	14667	13444	11524	10083
5-1/2 x 1/2			53777	43021	35851	30730	26888	23901	21511	19555	17926	15365	13444
6 x 1/4			32000	25600	21333	18286	16000	14222	12800	11636	10667	9143	8000
6 x 5/16			40000	32000	26667	22857	20000	17778	16000	14545	13333	11429	10000
6 x 3/8			48000	38400	32000	27429	24000	21333	19200	17455	16000	13714	12000
6 x 1/2				51200	42667	36571	32000	28444	25600	23273	21333	18286	16000

% Open Area*					
BB Size	CB Ctrs	Bearing Bar Thickness			
		1/4"	5/16"	3/8"	1/2"
Thru	4" cc	79%	76%	73%	-
2-1/2"	2" cc	72%	70%	67%	-
3" to 6"	4" cc	82%	78%	75%	69%
	2" cc	77%	74%	71%	65%

Loads are theoretical and are based on a unit stress of 20,000 psi.

*Based on 6.4 bars / ft. of grating width. Bearing bars 1-7/8" c.c. Note: When serrated grating is specified, the depth of grating required for a specific load will be 1/4" greater than that shown in these tables.

Panel Width Chart (in.) - 30-W-4 & 30-W-2		Dimensions Are Out-to-Out of Bearing Bars**															
No. of Bars	2	3	4	5	6	7	8	9	10	11	12	13	14	15	16		
1/4" Bars	2-1/8	4	5-7/8	7-3/4	9-5/8	11-1/2	13-3/8	15-1/4	17-1/8	19	20-7/8	22-3/4	24-5/8	26-1/2	28-3/8		
5/16" Bars	2-3/16	4-1/16	5-15/16	7-13/16	9-11/16	11-9/16	13-7/16	15-5/16	17-3/16	19-1/16	20-15/16	22-13/16	24-11/16	26-9/16	28-7/16		
3/8" Bars	2-1/4	4-1/8	6	7-7/8	9-3/4	11-5/8	13-1/2	15-3/8	17-1/4	19-1/8	21	22-7/8	24-3/4	26-5/8	28-1/2		
1/2" Bars	2-3/8	4-1/4	6-1/8	8	9-7/8	11-3/4	13-5/8	15-1/2	17-3/8	19-1/4	21-1/8	23	24-7/8	26-3/4	28-5/8		
No. of Bars	17	18	19	20													
1/4" Bars	30-1/4	32-1/8	34	35-7/8													
5/16" Bars	30-5/16	32-3/16	34-1/16	35-15/16													
3/8" Bars	30-3/8	32-1/4	34-1/8	36													
1/2" Bars	30-1/2	32-3/8	34-1/4	36-1/8													



		% Open Area*			
BB Size	CB Ctrs	Bearing Bar Thickness			
		1/4"	5/16"	3/8"	1/2"
Thru	4" cc	75%	70%	66%	—
2-1/2"	2" cc	68%	64%	60%	—
3" to 6"	4" cc	77%	72%	68%	60%
	2" cc	72%	68%	64%	56%

Bar Size, Inches	Wt.** Lbs. Sq. Ft.	Section Properties		Maximum Safe Clear Span, Inches- Partially Distributed Load			
		Sx**, in ³ Ft. Width	Ix**, in ⁴ Ft. Width	1 Ton	3 Ton	5 Ton	H15/H20
1 x 1/4	8.54	0.364	0.182	6	6	7	9
1 x 3/8	12.25	0.545	0.273	9	7	9	11
1-1/4 x 1/4	10.40	0.568	0.355	9	7	9	11
1-1/4 x 3/8	15.04	0.852	0.533	13	9	11	13
1-1/2 x 1/4	12.25	0.818	0.614	12	9	11	13
1-1/2 x 5/16	15.04	1.023	0.767	15	11	12	15
1-1/2 x 3/8	17.82	1.227	0.920	18	12	13	16
1-3/4 x 1/4	14.11	1.114	0.974	16	11	13	15
1-3/4 x 3/8	20.59	1.670	1.462	23	15	16	20
2 x 1/4	15.96	1.455	1.455	21	14	15	18
2 x 5/16	19.67	1.818	1.818	25	17	17	21
2 x 3/8	23.38	2.182	2.182	30	19	20	24
2-1/4 x 1/4	17.82	1.841	2.071	26	17	18	21
2-1/4 x 3/8	26.16	2.761	3.106	38	24	24	28
2-1/2 x 1/4	19.67	2.273	2.841	31	20	20	24
2-1/2 x 5/16	24.30	2.841	3.551	39	24	24	29
2-1/2 x 3/8	28.95	3.409	4.261	46	28	28	33
3 x 1/4	24.80	3.273	4.909	45	27	27	32
3 x 5/16	30.37	4.091	6.136	55	33	33	38
3 x 3/8	35.93	4.909	7.363	64*	40	38	44
3 x 1/2	47.06	6.545	9.818	74*	52	50	57*
3-1/2 x 1/4	28.51	4.454	7.795	60	36	35	41
3-1/2 x 3/8	41.50	6.682	11.693	81*	53	50	58
3-1/2 x 1/2	54.48	8.909	15.590	94*	69	66	71*
4 x 1/4	32.22	5.818	11.636	78	46	45	51
4 x 5/16	39.64	7.273	14.545	91*	57	54	62
4 x 3/8	47.06	8.727	17.454	96	68	64	73
4 x 1/2	61.89	11.636	23.272	96	86*	83*	87*
4-1/2 x 1/4	35.93	7.363	16.568	96	58	55	63
4-1/2 x 3/8	52.63	11.045	24.851	96	85	80	89*
4-1/2 x 1/2	69.31	14.727	33.135	96	96	96	96
5 x 1/4	39.64	9.091	22.727	96	71	67	76
5 x 5/16	48.92	11.363	28.408	96	88	82	92
5 x 3/8	58.18	13.636	34.090	96	96	96	96
5 x 1/2	76.73	18.181	45.453	96	96	96	96
5-1/2 x 1/4	43.35	11.000	30.249	96	85	80	90
5-1/2 x 3/8	63.75	16.499	45.374	96	96	96	96
5-1/2 x 1/2	84.15	21.999	60.498	96	96	96	96
6 x 1/4	47.06	13.091	39.272	96	96	94	96
6 x 5/16	58.18	16.363	49.089	96	96	96	96
6 x 3/8	69.31	19.636	58.907	96	96	96	96
6 x 1/2	91.57	26.181	78.543	96	96	96	96

*Span limited to 1/400 of span = Deflection. **Based on 8.727 bars/ft of grating width. Bearing bars 1-3/8" c.c.
 When serrated grating is specified, the depth of grating required for a specified load will be 1/4" greater than that shown in these tables. Weights shown are for 4" cross bar centers. Add 1.13 lbs./sq. ft. (3/8" Dia.) or 2.55 lbs./sq. ft. (1" x 1/4") for 2" cross bar centers. Cross bars are determined based on project applications and bearing bar height.

Bar Size Inches	Maximum Safe Concentrated Load*, Lbs. - Clear Span													
	1'- 0"	1'- 6"	2'- 0"	2'- 6"	3'- 0"	3'- 6"	4'- 0"	4'- 6"	5'- 0"	5'- 6"	6'- 0"	7'- 0"	8'- 0"	
1 x 1/4	2427	1618	1213	971	809	693								
1 x 3/8	3633	2422	1817	1453	1211	1038								
1-1/4 x 1/4	3787	2524	1893	1515	1262	1082	947							
1-1/4 x 3/8	5680	3787	2840	2272	1893	1623	1420							
1-1/2 x 1/4	5453	3636	2727	2181	1818	1558	1363	1212						
1-1/2 x 5/16	6820	4547	3410	2728	2273	1949	1705	1516						
1-1/2 x 3/8	8180	5453	4090	3272	2727	2337	2045	1818						
1-3/4 x 1/4	7427	4951	3713	2971	2476	2122	1857	1650	1485					
1-3/4 x 3/8	11133	7422	5567	4453	3711	3181	2783	2474	2227					
2 x 1/4	9700	6467	4850	3880	3233	2771	2425	2156	1940					
2 x 5/16	12120	8080	6060	4848	4040	3463	3030	2693	2424					
2 x 3/8	14547	9698	7273	5819	4849	4156	3637	3233	2909					
2-1/4 x 1/4	12273	8182	6137	4909	4091	3507	3068	2727	2455	2232				
2-1/4 x 3/8	18407	12271	9203	7363	6136	5259	4602	4090	3681	3347				
2-1/2 x 1/4	15153	10102	7577	6061	5051	4330	3788	3367	3031	2755	2526			
2-1/2 x 5/16	18940	12627	9470	7576	6313	5411	4735	4209	3788	3444	3157			
2-1/2 x 3/8	22727	15151	11363	9091	7576	6493	5682	5050	4545	4132	3788			
3 x 1/4	21820	14547	10910	8728	7273	6234	5455	4849	4364	3967	3637			
3 x 5/16	27273	18182	13637	10909	9091	7792	6818	6061	5455	4959	4546			
3 x 3/8	32727	21818	16363	13091	10909	9350	8182	7273	6545	5950	5454			
3 x 1/2	43633	29089	21817	17453	14544	12467	10908	9696	8727	7933	7272			
3-1/2 x 1/4	29693	19796	14847	11877	9898	8484	7423	6599	5939	5399	4949	4242		
3-1/2 x 3/8	44547	29698	22273	17819	14849	12728	11137	9899	8909	8099	7424	6364		
3-1/2 x 1/2	59393	39596	29697	23757	19798	16970	14848	13199	11879	10799	9899	8485		
4 x 1/4	38787	25858	19393	15515	12929	11082	9697	8619	7757	7052	6464	5541		
4 x 5/16	48487	32324	24243	19395	16162	13853	12122	10775	9697	8816	8081	6927		
4 x 3/8	58180	38787	29090	23272	19393	16623	14545	12929	11636	10578	9697	8311		
4 x 1/2		51716	38787	31029	25858	22164	19393	17239	15515	14104	12929	11082		
4-1/2 x 1/4		32724	24543	19635	16362	14025	12272	10908	9817	8925	8181	7012	6136	
4-1/2 x 3/8		49089	36817	29453	24544	21038	18404	16363	14727	13388	12272	10519	9204	
4-1/2 x 1/2			49090	39272	32727	28051	24545	21818	19636	17851	16363	14026	12273	
5 x 1/4			30303	24243	20202	17316	15152	13468	12121	11019	10101	8658	7576	
5 x 5/16			37877	30301	25251	21644	18938	16834	15151	13773	12626	10822	9469	
5 x 3/8			45453	36363	30302	25973	22727	20201	18181	16528	15151	12987	11363	
5 x 1/2				48483	40402	34630	30302	26935	24241	22038	20201	17315	15151	
5-1/2 x 1/4				29333	24444	20952	18333	16296	14667	13333	12222	10476	9167	
5-1/2 x 3/8				43997	36664	31427	27498	24443	21999	19999	18332	15713	13749	
5-1/2 x 1/2				58664	48887	41903	36665	32591	29332	26665	24443	20951	18333	
6 x 1/4				34909	29091	24935	21818	19394	17455	15868	14546	12468	10909	
6 x 5/16				43635	36362	31168	27272	24241	21817	19834	18181	15584	13636	
6 x 3/8				52363	43636	37402	32727	29090	26181	23801	21818	18701	16363	
6 x 1/2					58180	49869	43635	38787	34908	31735	29090	24934	21818	

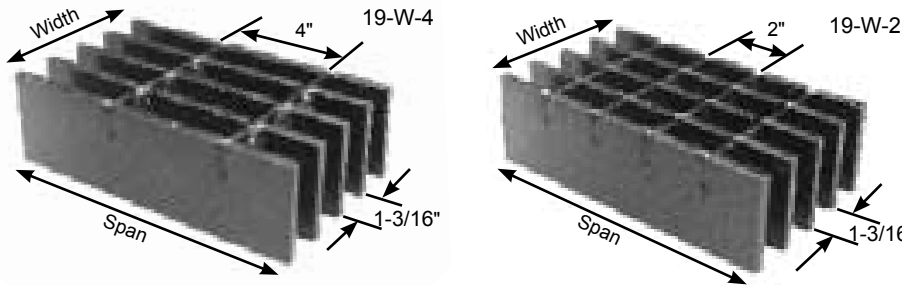
		% Open Area*			
BB Size	CB Ctrs	Bearing Bar Thickness			
		1/4"	5/16"	3/8"	1/2"
Thru	4" cc	75%	70%	66%	-
2-1/2"	2" cc	68%	64%	60%	-
3" to 6"	4" cc	77%	72%	68%	60%
	2" cc	72%	68%	64%	56%

Loads are theoretical, and are based on a unit stress of 20,000 psi.

*Based on 8.727 bars / ft. of grating width. Bearing bars 1-3/8" c.c. Note: When serrated grating is specified, the depth of grating required for a specific load will be 1/4" greater than that shown in these tables.

Panel Width Chart (in.) - 22-W-4 & 22-W-2		Dimensions Are Out-to-Out of Bearing Bars**													
No. of Bars	2	3	4	5	6	7	8	9	10	11	12	13	14	15	16
1/4" Bars	1-5/8	3	4-3/8	5-3/4	7-1/8	8-1/2	9-7/8	11-1/4	12-5/8	14	15-3/8	16-3/4	18-1/8	19-1/2	20-7/8
5/16" Bars	1-11/16	3-1/16	4-7/16	5-13/16	7-3/16	8-9/16	9-15/16	11-5/16	12-11/16	14-1/16	15-7/16	16-13/16	18-3/16	19-9/16	20-15/16
3/8" Bars	1-3/4	3-1/8	4-1/2	5-7/8	7-1/4	8-5/8	10	11-3/8	12-3/4	14-1/8	15-1/2	16-7/8	18-1/4	19-5/8	21
1/2" Bars	1-7/8	3-1/4	4-5/8	6	7-3/8	8-3/4	10-1/8	11-1/2	12-7/8	14-1/4	15-5/8	17	18-3/8	19-3/4	21-1/8

No. of Bars	17	18	19	20	21	22	23	24	25	26	27				
1/4" Bars	22-1/4	23-5/8	25	26-3/8	27-3/4	29-1/8	30-1/2	31-7/8	33-1/4	34-5/8	36				
5/16" Bars	22-5/16	23-11/16	25-1/16	26-7/16	27-13/16	29-3/16	30-9/16	31-15/16	33-5/16	34-11/16	36-1/16				
3/8" Bars	22-3/8	23-3/4	25-1/8	26-1/2	27-7/8	29-1/4	30-5/8	32	33-3/8	34-3/4	36-1/8				
1/2" Bars	22-1/2	23-7/8	25-1/4	26-5/8	28	29-3/8	30-3/4	32-1/8	33-1/2	34-7/8	36-1/4				



		% Open Area*			
BB Size	CB Ctrs	Bearing Bar Thickness			
		1/4"	5/16"	3/8"	1/2"
Thru	4" cc	72%	67%	62%	—
2-1/2"	2" cc	65%	61%	56%	—
3" to 6"	4" cc	74%	69%	64%	54%
	2" cc	70%	65%	60%	51%

Bar Size, Inches	Wt.** Lbs. Sq. Ft.	Section Properties		Maximum Safe Clear Span, Inches- Partially Distributed Load			
		Sx**, in ³ Ft. Width	Ix**, in ⁴ Ft. Width	1 Ton	3 Ton	5 Ton	H15/H20
1 x 1/4	9.71	0.421	0.211	7	6	7	9
1 x 3/8	14.01	0.632	0.316	9	8	9	11
1-1/4 x 1/4	11.87	0.658	0.411	10	8	9	12
1-1/4 x 3/8	17.23	0.987	0.617	14	10	12	14
1-1/2 x 1/4	14.01	0.947	0.711	13	10	11	14
1-1/2 x 5/16	17.23	1.184	0.888	16	11	13	16
1-1/2 x 3/8	20.46	1.421	1.066	19	13	14	18
1-3/4 x 1/4	16.16	1.289	1.128	17	12	14	17
1-3/4 x 3/8	23.67	1.934	1.692	25	17	18	21
2 x 1/4	18.30	1.684	1.684	22	15	16	20
2 x 5/16	22.60	2.105	2.105	28	18	19	23
2 x 3/8	26.89	2.526	2.526	33	21	22	26
2-1/4 x 1/4	20.46	2.132	2.398	28	18	19	23
2-1/4 x 3/8	30.12	3.197	3.597	41	26	26	31
2-1/2 x 1/4	22.60	2.632	3.289	34	22	22	27
2-1/2 x 5/16	27.96	3.289	4.112	42	27	27	31
2-1/2 x 3/8	33.34	3.947	4.934	50	31	31	36
3 x 1/4	28.32	3.789	5.684	49	30	30	35
3 x 5/16	34.76	4.737	7.105	60	37	36	42
3 x 3/8	41.20	5.684	8.526	67*	44	43	49
3 x 1/2	54.09	7.579	11.368	78*	57	55	61*
3-1/2 x 1/4	32.61	5.158	9.026	66	40	39	45
3-1/2 x 3/8	47.65	7.737	13.539	85*	58	56	64
3-1/2 x 1/2	62.67	10.316	18.052	96	75*	72*	76*
4 x 1/4	36.91	6.737	13.473	85*	51	50	57
4 x 5/16	45.50	8.421	16.842	95*	63	61	70
4 x 3/8	54.09	10.105	20.210	96	75	72	80*
4 x 1/2	71.26	13.473	26.947	96	91*	88*	92*
4-1/2 x 1/4	41.20	8.526	19.184	96	64	61	70
4-1/2 x 3/8	60.53	12.789	28.776	96	94*	90	95*
4-1/2 x 1/2	79.85	17.052	38.367	96	96	96	96
5 x 1/4	45.50	10.526	26.315	96	78	75	85
5 x 5/16	56.24	13.158	32.894	96	96	92	96
5 x 3/8	66.97	15.789	39.473	96	96	96	96
5 x 1/2	88.44	21.052	52.630	96	96	96	96
5-1/2 x 1/4	49.79	12.737	35.025	96	94	89	96
5-1/2 x 3/8	73.42	19.105	52.538	96	96	96	96
5-1/2 x 1/2	97.03	25.473	70.051	96	96	96	96
6 x 1/4	54.09	15.158	45.473	96	96	96	96
6 x 5/16	66.97	18.947	56.841	96	96	96	96
6 x 3/8	79.85	22.736	68.209	96	96	96	96
6 x 1/2	105.62	30.315	90.945	96	96	96	96

*Span limited to 1/400 of span = Deflection. **Based on 10.105 bars/ft of grating width. Bearing bars 1-3/16" c.c.
 When serrated grating is specified, the depth of grating required for a specified load will be 1/4" greater than that shown in these tables. Weights shown are for 4" cross bar centers. Add 1.13 lbs./sq. ft. (3/8" Dia.) or 2.55 lbs./sq. ft. (1" x 1/4") for 2" cross bar centers. Cross bars are determined based on project applications and bearing bar height.

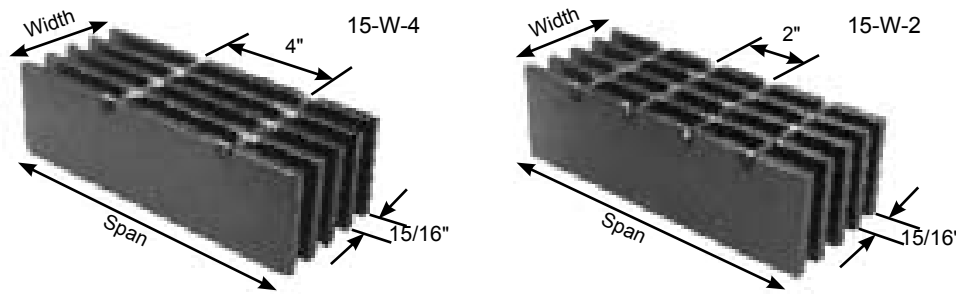
Bar Size Inches	Maximum Safe Concentrated Load*, Lbs. - Clear Span													
	1'- 0"	1'- 6"	2'- 0"	2'- 6"	3'- 0"	3'- 6"	4'- 0"	4'- 6"	5'- 0"	5'- 6"	6'- 0"	7'- 0"	8'- 0"	
1 x 1/4	2807	1871	1403	1123	936	802								
1 x 3/8	4213	2809	2107	1685	1404	1204								
1-1/4 x 1/4	4387	2924	2193	1755	1462	1253	1097							
1-1/4 x 3/8	6580	4387	3290	2632	2193	1880	1645							
1-1/2 x 1/4	6313	4209	3157	2525	2104	1804	1578	1403						
1-1/2 x 5/16	7893	5262	3947	3157	2631	2255	1973	1754						
1-1/2 x 3/8	9473	6316	4737	3789	3158	2707	2368	2105						
1-3/4 x 1/4	8593	5729	4297	3437	2864	2455	2148	1910	1719					
1-3/4 x 3/8	12893	8596	6447	5157	4298	3684	3223	2865	2579					
2 x 1/4	11227	7484	5613	4491	3742	3208	2807	2495	2245					
2 x 5/16	14033	9356	7017	5613	4678	4010	3508	3119	2807					
2 x 3/8	16840	11227	8420	6736	5613	4811	4210	3742	3368					
2-1/4 x 1/4	14213	9476	7107	5685	4738	4061	3553	3159	2843	2584				
2-1/4 x 3/8	21313	14209	10657	8525	7104	6090	5328	4736	4263	3875				
2-1/2 x 1/4	17547	11698	8773	7019	5849	5013	4387	3899	3509	3190	2924			
2-1/2 x 5/16	21927	14618	10963	8771	7309	6265	5482	4873	4385	3987	3654			
2-1/2 x 3/8	26313	17542	13157	10525	8771	7518	6578	5847	5263	4784	4386			
3 x 1/4	25260	16840	12630	10104	8420	7217	6315	5613	5052	4593	4210			
3 x 5/16	31580	21053	15790	12632	10527	9023	7895	7018	6316	5742	5263			
3 x 3/8	37893	25262	18947	15157	12631	10827	9473	8421	7579	6890	6316			
3 x 1/2	50527	33684	25263	20211	16842	14436	12632	11228	10105	9187	8421			
3-1/2 x 1/4	34387	22924	17193	13755	11462	9825	8597	7641	6877	6252	5731	4912		
3-1/2 x 3/8	51580	34387	25790	20632	17193	14737	12895	11462	10316	9378	8597	7369		
3-1/2 x 1/2		45849	34387	27509	22924	19650	17193	15283	13755	12504	11462	9825		
4 x 1/4		29942	22457	17965	14971	12832	11228	9981	8983	8166	7486	6416		
4 x 5/16		37427	28070	22456	18713	16040	14035	12476	11228	10207	9357	8020		
4 x 3/8		44911	33683	26947	22456	19248	16842	14970	13473	12248	11228	9624		
4 x 1/2		59880	44910	35928	29940	25663	22455	19960	17964	16331	14970	12831		
4-1/2 x 1/4		37893	28420	22736	18947	16240	14210	12631	11368	10335	9473	8120	7105	
4-1/2 x 3/8		56840	42630	34104	28420	24360	21315	18947	17052	15502	14210	12180	10658	
4-1/2 x 1/2			56840	45472	37893	32480	28420	25262	22736	20669	18947	16240	14210	
5 x 1/4			35087	28069	23391	20050	17543	15594	14035	12759	11696	10025	8772	
5 x 5/16			43860	35088	29240	25063	21930	19493	17544	15949	14620	12531	10965	
5 x 3/8			52630	42104	35087	30074	26315	23391	21052	19138	17543	15037	13158	
5 x 1/2				56139	46782	40099	35087	31188	28069	25518	23391	20050	17543	
5-1/2 x 1/4				33965	28304	24261	21228	18870	16983	15439	14152	12130	10614	
5-1/2 x 3/8				50947	42456	36390	31842	28304	25473	23158	21228	18195	15921	
5-1/2 x 1/2					56607	48520	42455	37738	33964	30876	28303	24260	21228	
6 x 1/4					33684	28872	25263	22456	20211	18373	16842	14436	12632	
6 x 5/16					42104	36090	31578	28070	25263	22966	21052	18045	15789	
6 x 3/8					50524	43307	37893	33683	30315	27559	25262	21653	18947	
6 x 1/2						57743	50525	44911	40420	36745	33683	28871	25263	

% Open Area*					
BB Size	CB Ctrs	Bearing Bar Thickness			
		1/4"	5/16"	3/8"	1/2"
Thru	4" cc	72%	67%	62%	-
2-1/2"	2" cc	65%	61%	56%	-
3" to 6"	4" cc	74%	69%	64%	54%
	2" cc	70%	65%	60%	51%

Loads are theoretical, and are based on a unit stress of 20,000 psi.

*Based on 10.105 bars / ft. of grating width. Bearing bars 1-3/16" c.c. Note: When serrated grating is specified, the depth of grating required for a specific load will be 1/4" greater than that shown in these tables.

Panel Width Chart (in.) - 19-W-4 & 19-W-2															
Dimensions Are Out-to-Out of Bearing Bars**															
No. of Bars	2	3	4	5	6	7	8	9	10	11	12	13	14	15	16
1/4" Bars	1-7/16	2-5/8	3-13/16	5	6-3/16	7-3/8	8-9/16	9-3/4	10-15/16	12-1/8	13-5/16	14-1/2	15-11/16	16-7/8	18-1/16
5/16" Bars	1-1/2	2-11/16	3-7/8	5-1/16	6-1/4	7-7/16	8-5/8	9-13/16	11	12-3/16	13-3/8	14-9/16	15-3/4	16-15/16	18-1/8
3/8" Bars	1-9/16	2-3/4	3-15/16	5-1/8	6-5/16	7-1/2	8-11/16	9-7/8	11-1/16	12-1/4	13-7/16	14-5/8	15-13/16	17	18-3/16
1/2" Bars	1-11/16	2-7/8	4-1/16	5-1/4	6-7/16	7-5/8	8-13/16	10	11-3/16	12-3/8	13-9/16	14-3/4	15-15/16	17-1/8	18-5/16
No. of Bars	17	18	19	20	21	22	23	24	25	26	27	28	29	30	31
1/4" Bars	19-1/4	20-7/16	21-5/8	22-13/16	24	25-3/16	26-3/8	27-9/16	28-3/4	29-15/16	31-1/8	32-5/16	33-1/2	34-11/16	35-7/8
5/16" Bars	19-5/16	20-1/2	21-11/16	22-7/8	24-1/16	25-1/4	26-7/16	27-5/8	28-13/16	30	31-3/16	32-3/8	33-9/16	34-3/4	35-15/16
3/8" Bars	19-3/8	20-9/16	21-3/4	22-15/16	24-1/8	25-5/16	26-1/2	27-11/16	28-7/8	30-1/16	31-1/4	32-7/16	33-5/8	34-13/16	36
1/2" Bars	19-1/2	20-11/16	21-7/8	23-1/16	24-1/4	25-7/16	26-5/8	27-13/16	29	30-3/16	31-3/8	32-9/16	33-3/4	34-15/16	36-1/8



% Open Area*				
BB Size	CB Ctrs	Bearing Bar Thickness		
		1/4"	5/16"	3/8"
Thru 4"	4" cc	66%	60%	54%
2-1/2"	2" cc	60%	55%	49%
3" to 6"	4" cc	69%	62%	56%
	2" cc	64%	58%	53%

Bar Size, Inches	Wt.** Lbs. Sq. Ft.	Section Properties		Maximum Safe Clear Span, Inches- Partially Distributed Load			
		Sx**, in ³ Ft. Width	Ix**, in ⁴ Ft. Width	1 Ton	3 Ton	5 Ton	H15/H20
1 x 1/4	12.01	0.533	0.267	8	7	8	10
1 x 3/8	17.45	0.800	0.400	11	8	10	13
1-1/4 x 1/4	14.73	0.833	0.521	11	9	10	13
1-1/4 x 3/8	21.53	1.250	0.781	16	11	13	16
1-1/2 x 1/4	17.45	1.200	0.900	15	11	13	16
1-1/2 x 5/16	21.53	1.500	1.125	19	13	15	18
1-1/2 x 3/8	25.61	1.800	1.350	22	15	16	20
1-3/4 x 1/4	20.17	1.633	1.429	20	14	15	19
1-3/4 x 3/8	29.68	2.450	2.144	30	20	21	25
2 x 1/4	22.89	2.133	2.133	26	17	19	22
2 x 5/16	28.33	2.667	2.667	32	21	22	26
2 x 3/8	33.77	3.200	3.200	38	25	25	30
2-1/4 x 1/4	25.61	2.700	3.038	32	21	22	26
2-1/4 x 3/8	37.85	4.050	4.556	47*	30	31	36
2-1/2 x 1/4	28.33	3.333	4.167	40	26	26	31
2-1/2 x 5/16	35.12	4.167	5.208	49	31	32	37
2-1/2 x 3/8	41.93	5.000	6.250	55*	37	37	43
3 x 1/4	35.19	4.800	7.200	56	36	36	42
3 x 5/16	43.36	6.000	9.000	66*	44	43	50
3 x 3/8	51.51	7.200	10.800	73*	52	51	59*
3-1/2 x 1/4	40.63	6.533	11.433	75*	47	47	54
3-1/2 x 3/8	59.68	9.800	17.150	92*	69	67	73*
4 x 1/4	46.07	8.533	17.067	92*	61	59	69
4 x 5/16	56.95	10.667	21.333	96	75	73	81*
4 x 3/8	67.83	12.800	25.600	96	87*	84*	89*
4-1/2 x 1/4	51.51	10.800	24.300	96	76	74	85
4-1/2 x 3/8	76.00	16.200	36.450	96	96	96	96
5 x 1/4	56.95	13.333	33.333	96	93	90	96
5 x 5/16	70.56	16.667	41.667	96	96	96	96
5 x 3/8	84.15	20.000	50.000	96	96	96	96
5-1/2 x 1/4	62.39	16.133	44.367	96	96	96	96
5-1/2 x 3/8	92.32	24.200	66.550	96	96	96	96
6 x 1/4	67.83	19.200	57.600	96	96	96	96
6 x 5/16	84.15	24.000	72.000	96	96	96	96
6 x 3/8	100.47	28.800	86.400	96	96	96	96

*Span limited to 1/400 of span = Deflection. **Based on 12.8 bars/ft of grating width. Bearing bars 15/16" c.c. **Note:** When serrated grating is specified, the depth of grating required for a specified load will be 1/4" greater than that shown in these tables. Weights shown are for 4" cross bar centers. Add 1.13 lbs./sq. ft. (3/8" Dia.) or 2.55 lbs./sq. ft. (1" x 1/4") for 2" cross bar centers. Cross bars are determined based on project applications and bearing bar height.

Bar Size Inches	Maximum Safe Concentrated Load*, Lbs. - Clear Span													
	1'- 0"	1'- 6"	2'- 0"	2'- 6"	3'- 0"	3'- 6"	4'- 0"	4'- 6"	5'- 0"	5'- 6"	6'- 0"	7'- 0"	8'- 0"	
1 x 1/4	3553	2369	1777	1421	1184	1015								
1 x 3/8	5333	3556	2667	2133	1778	1524								
1-1/4 x 1/4	5553	3702	2777	2221	1851	1587	1388							
1-1/4 x 3/8	8333	5556	4167	3333	2778	2381	2083							
1-1/2 x 1/4	8000	5333	4000	3200	2667	2286	2000	1778						
1-1/2 x 5/16	10000	6667	5000	4000	3333	2857	2500	2222						
1-1/2 x 3/8	12000	8000	6000	4800	4000	3429	3000	2667						
1-3/4 x 1/4	10887	7258	5443	4355	3629	3110	2722	2419	2177					
1-3/4 x 3/8	16333	10889	8167	6533	5444	4667	4083	3630	3267					
2 x 1/4	14220	9480	7110	5688	4740	4063	3555	3160	2844					
2 x 5/16	17780	11853	8890	7112	5927	5080	4445	3951	3556					
2 x 3/8	21333	14222	10667	8533	7111	6095	5333	4741	4267					
2-1/4 x 1/4	18000	12000	9000	7200	6000	5143	4500	4000	3600	3273				
2-1/4 x 3/8	27000	18000	13500	10800	9000	7714	6750	6000	5400	4909				
2-1/2 x 1/4	22220	14813	11110	8888	7407	6349	5555	4938	4444	4040	3703			
2-1/2 x 5/16	27780	18520	13890	11112	9260	7937	6945	6173	5556	5051	4630			
2-1/2 x 3/8	33333	22222	16667	13333	11111	9524	8333	7407	6667	6061	5556			
3 x 1/4	32000	21333	16000	12800	10667	9143	8000	7111	6400	5818	5333			
3 x 5/16	40000	26667	20000	16000	13333	11429	10000	8889	8000	7273	6667			
3 x 3/8	48000	32000	24000	19200	16000	13714	12000	10667	9600	8727	8000			
3-1/2 x 1/4	43553	29036	21777	17421	14518	12444	10888	9679	8711	7919	7259	6222		
3-1/2 x 3/8	65333	43556	32667	26133	21778	18667	16333	14519	13067	11879	10889	9333		
4 x 1/4	56887	37924	28443	22755	18962	16253	14222	12641	11377	10343	9481	8127		
4 x 5/16		47409	35557	28445	23704	20318	17778	15803	14223	12930	11852	10159		
4 x 3/8		56889	42667	34133	28444	24381	21333	18963	17067	15515	14222	12190		
4-1/2 x 1/4		48000	36000	28800	24000	20571	18000	16000	14400	13091	12000	10286	9000	
4-1/2 x 3/8			54000	43200	36000	30857	27000	24000	21600	19636	18000	15429	13500	
5 x 1/4			44443	35555	29629	25396	22222	19753	17777	16161	14814	12698	11111	
5 x 5/16			55557	44445	37038	31747	27778	24692	22223	20202	18519	15873	13889	
5 x 3/8			66667	53333	44444	38095	33333	29630	26667	24242	22222	19048	16667	
5-1/2 x 1/4			53777	43021	35851	30730	26888	23901	21511	19555	17926	15365	13444	
5-1/2 x 3/8					53778	46095	40333	35852	32267	29333	26889	23048	20167	
6 x 1/4					42667	36571	32000	28444	25600	23273	21333	18286	16000	
6 x 5/16					53333	45714	40000	35556	32000	29091	26667	22857	20000	
6 x 3/8						54857	48000	42667	38400	34909	32000	27429	24000	

% Open Area*				
BB Size	CB Ctrs	Bearing Bar Thickness		
		1/4"	5/16"	3/8"
Thru	4" cc	66%	60%	54%
2-1/2"	2" cc	60%	55%	49%
3" to 6"	4" cc	69%	62%	56%
	2" cc	64%	58%	53%

Loads are theoretical and based on a unit stress of 20,000 psi.

*Based on 12.8 bars / ft. of grating width. Bearing bars 15/16" c.c. Note: When serrated grating is specified, the depth of grating required for a specific load will be 1/4" greater than that shown in these tables.

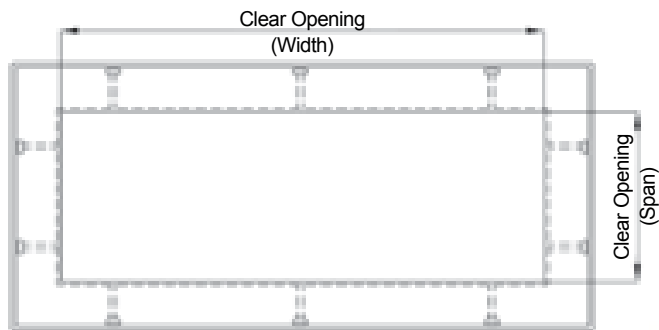
Panel Width Chart (in.) - 15-W-4 & 15-W-2															
Dimensions Are Out-to-Out of Bearing Bars**															
No. of Bars	2	3	4	5	6	7	8	9	10	11	12	13	14	15	16
1/4" Bars	1-3/16	2-1/8	3-1/16	4	4-15/16	5-7/8	6-13/16	7-3/4	8-11/16	9-5/8	10-9/16	11-1/2	12-7/16	13-3/8	14-5/16
5/16" Bars	1-1/4	2-3/16	3-1/8	4-1/16	5	5-15/16	6-7/8	7-13/16	8-3/4	9-11/16	10-5/8	11-9/16	12-1/2	13-7/16	14-3/8
3/8" Bars	1-5/16	2-1/4	3-3/16	4-1/8	5-1/16	6	6-15/16	7-7/8	8-13/16	9-3/4	10-11/16	11-5/8	12-9/16	13-1/2	14-7/16
No. of Bars	17	18	19	20	21	22	23	24	25	26	27	28	29	30	31
1/4" Bars	15-1/4	16-3/16	17-1/8	18-1/16	19	19-15/16	20-7/8	21-13/16	22-3/4	23-11/16	24-5/8	25-9/16	26-1/2	27-7/16	28-3/8
5/16" Bars	15-5/16	16-1/4	17-3/16	18-1/8	19-1/16	20	20-15/16	21-7/8	22-13/16	23-3/4	24-11/16	25-5/8	26-9/16	27-1/2	28-7/16
3/8" Bars	15-3/8	16-5/16	17-1/4	18-3/16	19-1/8	20-1/16	21	21-15/16	22-7/8	23-13/16	24-3/4	25-11/16	26-5/8	27-9/16	28-1/2
No. of Bars	32	33	34	35	36	37	38	39							
1/4" Bars	29-5/16	30-1/4	31-3/16	32-1/8	33-1/16	34	34-15/16	35-7/8							
5/16" Bars	29-3/8	30-5/16	31-1/4	32-3/16	33-1/8	34-1/16	35	35-15/16							
3/8" Bars	29-7/16	30-3/8	31-5/16	32-1/4	33-3/16	34-1/8	35-1/16	36							

STEEL GRATING FRAMES

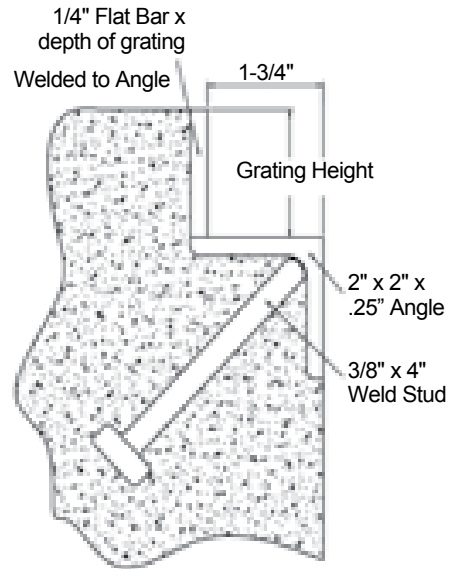
GRATING FRAMES

Embed frames cast into concrete floors and substructures serve a multitude of purposes that extend the life of any project where open flooring is required. Steel frames form a permanent shield for concrete lead edges and perimeters which are subject to cracking and chipping when left unprotected. During construction these rigid frames expedite forming and provide a welded structure that assures accuracy in the concrete pour. Frames provide a uniform bearing surface for all our grating products and help eliminate the potential for rocking or irregular elevations experienced when only covers are installed on poured concrete.

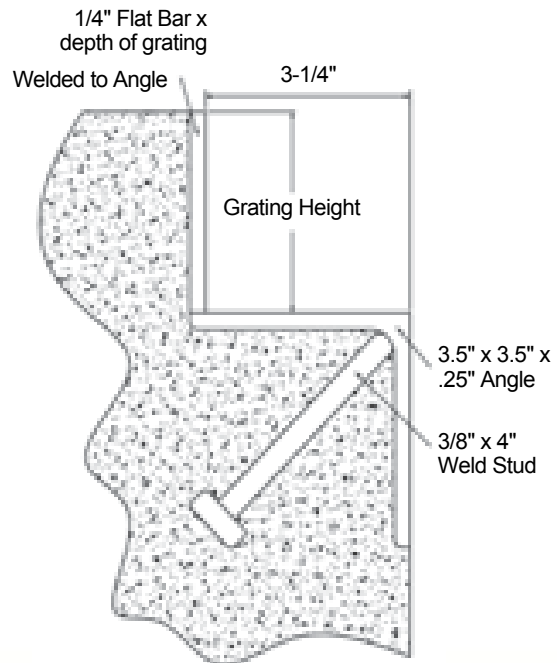
All frames are available in four sided, one piece construction units and can accommodate any clear opening. Long lengths can be provided with fabricated corners for field installation when required. Frames can be provided mill finished, galvanized or with a powder coat black finish. All our steel frames are provided with 3/8" x 4" headed concrete stud anchors welded within 6" of each corner and at a maximum of 24" on center.



Frames are available as one piece welded construction or individual pieces



Light Duty



Heavy Duty

HEAVY DUTY Wheels n' Heels®

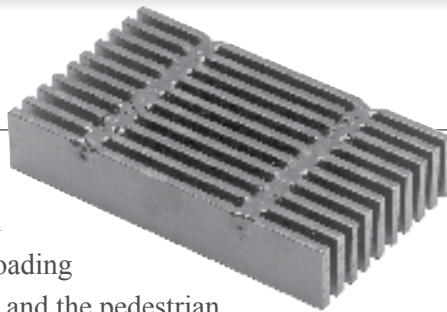


SHORT & LONG SPAN

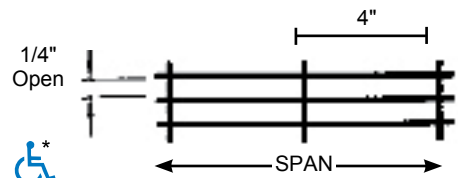
Wheels n' Heels® is the first grating product which satisfies both the vehicle loading requirements of AASHTO and the pedestrian comfort requirements of the "Americans with Disabilities Act". Made from 1/4" thick Grade 36 steel bar, this product will clear span up to 8' under H15 and H20 wheel loads. In addition, the close spacing of the bearing bars offers a pedestrian friendly 1/4" or 1/2" opening which allows easy access to wheel chair and high heel traffic. Wheels n' Heels® products can be provided in piece sizes up to 3' wide by 20'



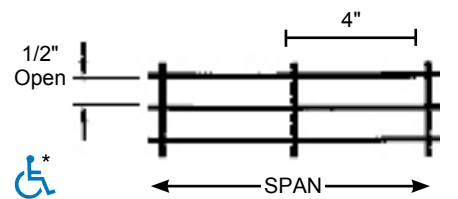
long. Slip resistant surfaces are also available. Check with our Sales Representatives for specific piece size limits on each type and size.



GRATING PROFILES AVAILABLE... Heavy Duty Wheels n' Heels®



8-WH-4* & 15-WH-4*



12-WH-4* & 23-WH-4*

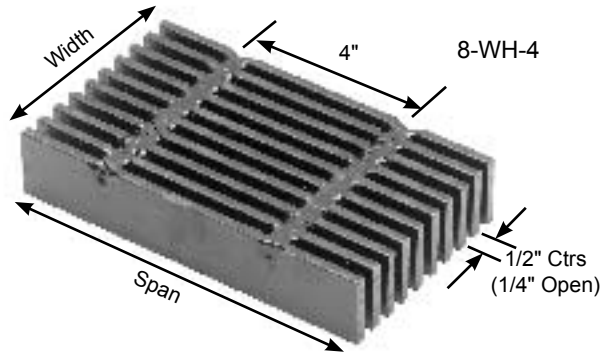
*Note: Conforms with the spacing requirements of ADA (July 1991) when installed with the elongated opening perpendicular to the dominant direction of travel. See ADA Guidelines

8 SPACE SHORT SPAN

Visit http://www.ohiogratings.com/prod_specs.html for full product specifications.

Note: 8-WH-4 is available in Plain Surface only. 2" cross bar centers are not available.

Banding Optional ▶



Bar Size, Inches	Wt.* Lbs. Sq. Ft.	Section Properties		Cross Bar Size, Inches	Maximum Safe ClearSpan, Inches- Partially Distributed Load				Maximum Manufactured Spans
		Sx*, in ³ Ft. Width	Ix*, in ⁴ Ft. Width		1 Ton	3 Ton	5 Ton	H15/H20	
1 x 1/4	21.53	1.000	0.500	3/8 Dia.	11	9	11	14	24
1-1/4 x 1/4	26.64	1.563	0.977	3/8 Dia.	17	13	14	18	30
1-1/2 x 1/4	31.73	2.250	1.688	3/8 Dia.	23	17	18	22	36
1-3/4 x 1/4	36.84	3.063	2.680	3/8 Dia.	31	22	23	28	42
2 x 1/4	41.93	4.000	4.000	3/8 Dia.	40	27	29	34	48

*Based on 24 bars/ft of grating width. Bearing bars 1/2" c.c.

Bar Size, Inches	Maximum Safe Concentrated Load*, Lbs. - ClearSpan								% Open Area*
	0'- 6"	1'- 0"	1'- 6"	2'- 0"	2'- 6"	3'- 0"	3'- 6"	4'- 0"	
1 x 1/4	13333	6667	4444	3333					Loads given are theoretical and based on a unit stress of 20,000 psi. 45%
1-1/4 x 1/4	20840	10420	6947	5210	4168				
1-1/2 x 1/4	30000	15000	10000	7500	6000	5000			
1-3/4 x 1/4	40840	20420	13613	10210	8168	6807	5834		
2 x 1/4	53333	26667	17778	13333	10667	8889	7619	6667	

*Based on 24 bars/ft of grating width. Bearing bars 1/2" c.c.

Panel Width Chart (in.) - 8-WH-4 Dimensions Are Out-to-Out of Bearing Bars**

No. of Bars	2	3	4	5	6	7	8	9	10	11	12	13	14	15	16
1/4" Bars	3/4	1-1/4	1-3/4	2-1/4	2-3/4	3-1/4	3-3/4	4-1/4	4-3/4	5-1/4	5-3/4	6-1/4	6-3/4	7-1/4	7-3/4
No. of Bars	17	18	19	20	21	22	23	24	25	26	27	28	29	30	31
1/4" Bars	8-1/4	8-3/4	9-1/4	9-3/4	10-1/4	10-3/4	11-1/4	11-3/4	12-1/4	12-3/4	13-3/4	14-1/4	14-3/4	15-1/4	
No. of Bars	32	33	34	35	36	37	38	39	40	41	42	43	44	45	46
1/4" Bars	15-3/4	16-1/4	16-3/4	17-1/4	17-3/4	18-1/4	18-3/4	19-1/4	19-3/4	20-1/4	20-3/4	21-1/4	21-3/4	22-1/4	22-3/4
No. of Bars	47	48	49	50	51	52	53	54	55	56	57	58	59	60	61
1/4" Bars	23-1/4	23-3/4	24-1/4	24-3/4	25-1/4	25-3/4	26-1/4	26-3/4	27-1/4	27-3/4	28-1/4	28-3/4	29-1/4	29-3/4	30-1/4
No. of Bars	62	63	64	65	66	67	68	69	70	71	72				
1/4" Bars	30-3/4	31-1/4	31-3/4	32-1/4	32-3/4	33-1/4	33-3/4	34-1/4	34-3/4	35-1/4	35-3/4				

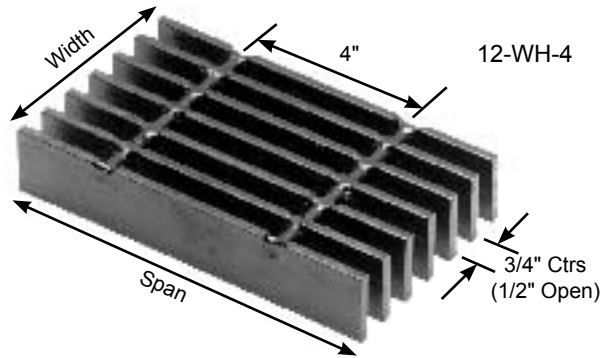
Note: 2' maximum panel width suggested for ease of handling.

12 SPACE SHORT SPAN

Visit http://www.ohiogratings.com/prod_specs.html for full product specifications.

Note: 12-WH-4 is available in Plain Surface only. 2" cross bar centers are not available.

Banding Optional ▶



Bar Size, Inches	Wt.* Lbs. Sq. Ft.	Section Properties		Cross Bar Size, Inches	Maximum Safe ClearSpan , Inches- Partially Distributed Load				Maximum Manufactured Spans
		Sx*, in ³ Ft. Width	Ix*, in ⁴ Ft. Width		1 Ton	3 Ton	5 Ton	H15/H20	
1 x 1/4	14.73	0.667	0.333	3/8 Dia.	9	7	9	11	24
1-1/4 x 1/4	18.14	1.042	0.651	3/8 Dia.	13	10	11	14	30
1-1/2 x 1/4	21.53	1.500	1.125	3/8 Dia.	18	13	14	18	36
1-3/4 x 1/4	24.94	2.042	1.786	3/8 Dia.	23	16	18	21	42
2 x 1/4	28.33	2.667	2.667	3/8 Dia.	30	20	21	26	48

*Based on 24 bars/ft of grating width. Bearing bars 3/4" c.c.

Bar Size, Inches	Maximum Safe Concentrated Load*, Lbs. - ClearSpan							
	0'- 6"	1'- 0"	1'- 6"	2'- 0"	2'- 6"	3'- 0"	3'- 6"	4'- 0"
1 x 1/4	8893	4447	2964	2223				
1-1/4 x 1/4	13893	6947	4631	3473	2779			
1-1/2 x 1/4	20000	10000	6667	5000	4000	3333		
1-3/4 x 1/4	27227	13613	9076	6807	5445	4538	3890	
2 x 1/4	35560	17780	11853	8890	7112	5927	5080	4445

Loads given are theoretical and based on a unit stress of 20,000 psi.

% Open Area*
60%

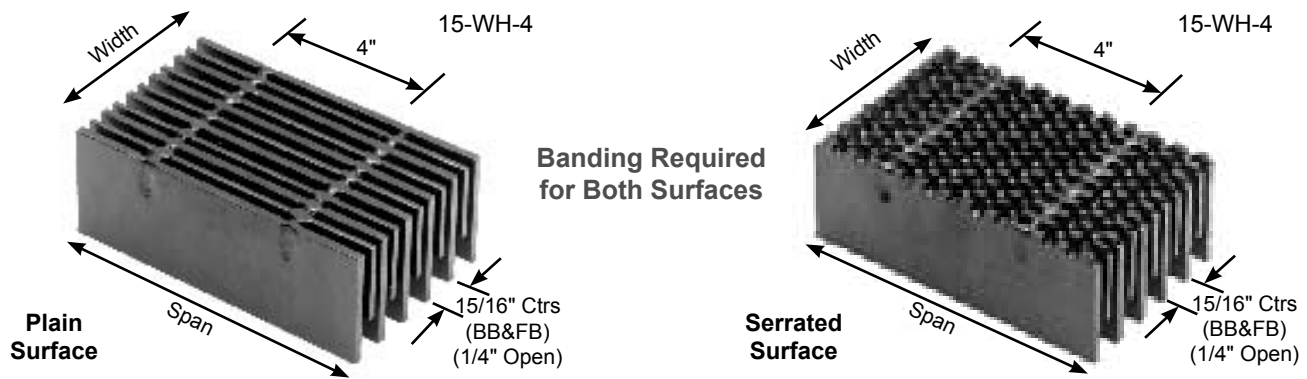
*Based on 24 bars/ft of grating width. Bearing bars 3/4" c.c.

Panel Width Chart (in.) - 12-WH-4		Dimensions Are Out-to-Out of Bearing Bars**														
No. of Bars		2	3	4	5	6	7	8	9	10	11	12	13	14	15	16
1/4" Bars	1	1-3/4	2-1/2	3-1/4	4	4-3/4	5-1/2	6-1/4	7	7-3/4	8-1/2	9-1/4	10	10-3/4	11-1/2	
No. of Bars	17	18	19	20	21	22	23	24	25	26	27	28	29	30	31	
1/4" Bars	12-1/4	13	13-3/4	14-1/2	15-1/4	16	16-3/4	17-1/2	18-1/4	19	19-3/4	20-1/2	21-1/4	22	22-3/4	
No. of Bars	32	33	34	35	36	37	38	39	40	41	42	43	44	45	46	
1/4" Bars	23-1/2	24-1/4	25	25-3/4	26-1/2	27-1/4	28	28-3/4	29-1/2	30-1/4	31	31-3/4	32-1/2	33-1/4	34	
No. of Bars	47	48	49													
1/4" Bars	34-3/4	35-1/2	36-1/4													

Note: 2' maximum panel width suggested for ease of handling.

15 SPACE LONG SPAN

Visit http://www.ohiogratings.com/prod_specs.html for full product specifications.



Bar Size, Inches	Wt.* Lbs. Sq. Ft.	Section Properties		Cross Bar Size, Inches	Maximum Safe ClearSpan , Inches-Partially Distributed Load				Maximum Manufactured Spans
		Sx*, in ³ Ft. Width	Ix*, in ⁴ Ft. Width		1 Ton	3 Ton	5 Ton	H15/H20	
2-1/2 x 1/4	44.81	3.333	4.167	1/4 x 1	40	26	26	31	54
3 x 1/4	50.25	4.800	7.200	1/4 x 1	56	36	36	42	60
3-1/2 x 1/4	55.69	6.533	11.433	1/4 x 1	66	47	47	54	66
4 x 1/4	61.13	8.533	17.067	1/4 x 1	72	61	59	69	72
4-1/2 x 1/4	66.57	10.800	24.300	1/4 x 1	84	76	74	84	84
5 x 1/4	72.01	13.333	33.333	1/4 x 1	96	93	90	96	96

*Based on 12.8 bars/ft of grating width. Bearing bars 15/16" c.c. **Note:** When serrated grating is specified, choose the next larger size. 15-WH-4 must be trim banded. 2" cross bar centers are not available.

Bar Size, Inches	Maximum Safe Concentrated Load*, Lbs. - ClearSpan													
	2'- 0"	2'- 6"	3'- 0"	3'- 6"	4'- 0"	4'- 6"	5'- 0"	5'- 6"	6'- 0"	7'- 0"	8'- 0"			
2-1/2 x 1/4	11110	8888	7407	6349	5555	4938	Loads given are theoretical and based on a unit stress of 20,000 psi.					<table border="1"> <tr> <td>% Open Area*</td> </tr> <tr> <td>51%</td> </tr> </table>	% Open Area*	51%
% Open Area*														
51%														
3 x 1/4	16000	12800	10667	9143	8000	7111	6400	7919	9481	10286	11111			
3-1/2 x 1/4	21777	17421	14518	12444	10888	9679	8711	7919	9481	10286	11111			
4 x 1/4	28443	22755	18962	16253	14222	12641	11377	10343	9481	10286	11111			
4-1/2 x 1/4	36000	28800	24000	20571	18000	16000	14400	13091	12000	10286	11111			
5 x 1/4	44443	35555	29629	25396	22222	19753	17777	16161	14814	12698	11111			

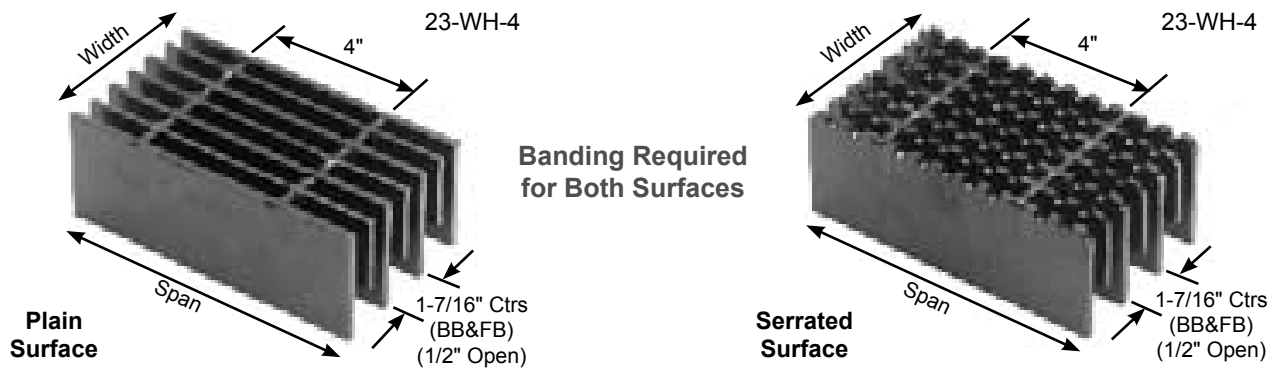
*Based on 12.8 bars/ft of grating width. Bearing bars 15/16" c.c. **Note:** When serrated grating is specified, choose the next larger size.

Panel Width Chart (in.) - 15-WH-4 **Dimensions Are Out-to-Out of Bearing Bars****

No. of Bars	2	3	4	5	6	7	8	9	10	11	12	13	14	15	16
1/4" Bars	1-3/16	2-1/8	3-1/16	4	4-15/16	5-7/8	6-13/16	7-3/4	8-11/16	9-5/8	10-9/16	11-1/2	12-7/16	13-3/8	14-5/16
No. of Bars	17	18	19	20	21	22	23	24	25	26					
1/4" Bars	15-1/4	16-3/16	17-1/8	18-1/16	19	19-15/16	20-7/8	21-13/16	22-3/4	23-11/16					

23 SPACE LONG SPAN

Visit http://www.ohiogratings.com/prod_specs.html for full product specifications.



Bar Size, Inches	Wt.* Lbs. Sq. Ft.	Section Properties		Cross Bar Size, Inches	Maximum Safe ClearSpan , Inches- Partially Distributed Load				Maximum Manufactured Spans
		Sx*, in ³ Ft. Width	Ix*, in ⁴ Ft. Width		1 Ton	3 Ton	5 Ton	H15/H20	
2-1/2 x 1/4	29.67	2.174	2.717	1/4 x 1	31	19	20	24	54
3 x 1/4	33.21	3.131	4.696	1/4 x 1	43	27	26	31	60
3-1/2 x 1/4	36.76	4.261	7.457	1/4 x 1	59	35	34	40	66
4 x 1/4	40.31	5.565	11.131	1/4 x 1	72	45	43	50	72
4-1/2 x 1/4	43.86	7.044	15.848	1/4 x 1	84	56	53	61	84
5 x 1/4	47.41	8.696	21.740	1/4 x 1	96	69	65	73	96

*Based on 8.348 bars/ft of grating width. Bearing bars 1-7/16" c.c. Note: When serrated grating is specified, choose the next larger size. 23-WH-4 must be trim banded. 2" cross bar centers are not available.

Bar Size, Inches	Maximum Safe Concentrated Load*, Lbs. - ClearSpan												
	2'- 0"	2'- 6"	3'- 0"	3'- 6"	4'- 0"	4'- 6"	5'- 0"	5'- 6"	6'- 0"	7'- 0"	8'- 0"		
2-1/2 x 1/4	7247	5797	4831	4141	3623	3221	Loads given are theoretical and based on a unit stress of 20,000 psi.						
3 x 1/4	10437	8349	6958	5964	5218	4639						4175	
3-1/2 x 1/4	14203	11363	9469	8116	7102	6313	5681	5165	<table border="1"> <tr> <td>% Open Area*</td> </tr> <tr> <td>66%</td> </tr> </table>			% Open Area*	66%
% Open Area*													
66%													
4 x 1/4	18550	14840	12367	10600	9275	8244	7420	6745	6183				
4-1/2 x 1/4	23480	18784	15653	13417	11740	10436	9392	8538	7827	6709			
5 x 1/4	28987	23189	19324	16564	14493	12883	11595	10541	9662	8282	7247		

*Based on 8.348 bars/ft of grating width. Bearing bars 1-7/16" c.c. Note: When serrated grating is specified, choose the next larger size

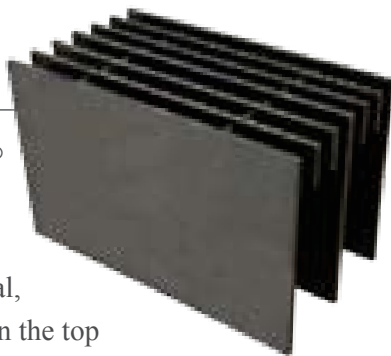
Panel Width Chart (in.) - 23-WH-4		Dimensions Are Out-to-Out of Bearing Bars**														
No. of Bars		2	3	4	5	6	7	8	9	10	11	12	13	14	15	16
1/4" Bars		1-11/16	3-1/8	4-9/16	6	7-7/16	8-7/8	10-5/16	11-3/4	13-3/16	14-5/8	16-1/16	17-1/2	18-15/16	20-3/8	21-13/16
No. of Bars		17	18	19	20	21	22	23	24	25	26					
1/4" Bars		23-1/4	24-11/16	26-1/8	27-9/16	29	30-7/16	31-7/8	33-5/16	34-3/4	36-3/16					

HEAVY DUTY Wheels n' Heels® Metro



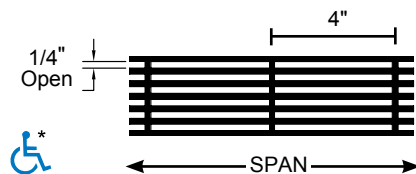
METRO

The new **Wheels n' Heels® Metro** has an even greater strength to weight ratio, and much improved aesthetic appeal, since there are now no welds on the top surface. In addition, the filler bars and main bearing bars are both the same thickness thus providing increased percent open area. Included in this new line are types with spacing of 1/2" between the bars to meet ADA requirements as well as types with spacing of 1/4" between bars to accommodate High Heel pedestrian use. **Wheels n' Heels® Metro** is also bicycle friendly. Also available in Stainless Steel upon request.

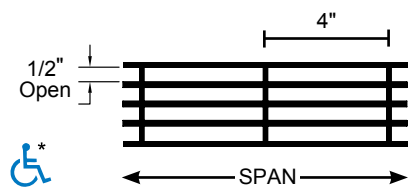


A slip resistant surface is recommended to meet ADA guidelines.

GRATING PROFILES AVAILABLE... Heavy Duty Wheels n' Heels® METRO



28-WH-4* & 42-WH-4*



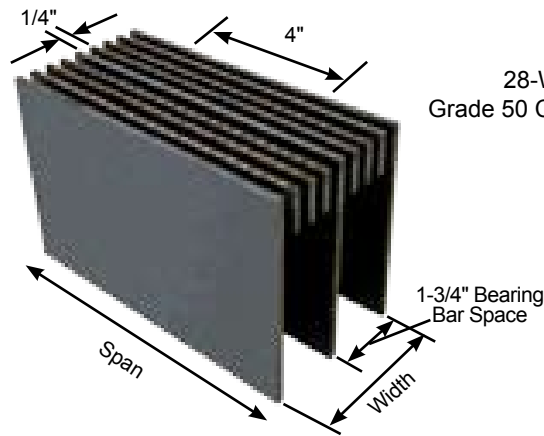
33-WH-4* & 44-WH-4*

*Note: Conforms with the spacing requirements of ADA (July 1991) when installed with the elongated opening perpendicular to the dominant direction of travel. See ADA Guidelines

Wheels n' Heels® Metro 28-WH-4 Grade 50 Carbon Steel

Visit http://www.ohiogratings.com/prod_specs.html
for full product specifications.

Bicycle Friendly



28-WH-4
Grade 50 Carbon Steel

Banding Optional ▶

This grating meets ANSI/NAAMM MBG - 532, ADA & High Heel spacing & AASHTO H20/H15 standards.

A slip resistant surface is recommended to meet ADA guidelines.

% Open Area*

52%

with 1/4" opening between bearing or filler bars.

Main Bearing Bar Size Inches	Weight Lbs. Sq. Ft.	Section Properties		Cross Bar Size, Inches	Maximum Safe ClearSpan, Inches- Partially Distributed Load				Maximum Manufactured Spans Inches
		Sx, in ³ Ft. Width	Ix, in ⁴ Ft. Width		Lift truck Capacity			AASHTO	
					1 Ton	3 Ton	5 Ton	H15/H20	
3 x 3/16	28.17	1.929	2.893	1 x 1/8	40	24	24	28	288
3-1/2 x 3/16	30.36	2.625	4.594	1 x 1/8	54	32	31	36	288
4 x 3/16	32.55	3.429	6.857	1 x 1/8	66 *	40 *	39	44	288
4-1/2 x 3/16	34.74	4.339	9.763	1 x 1/8	78 *	47 *	48	54	288
5 x 3/16	36.93	5.357	13.393	1 x 1/8	92 *	55 *	57	64	288
6 x 3/16	41.31	7.714	23.143	1 x 1/8	96 *	72 *	80	88	288

*Span limited based on L / 400 max deflection or 96" max span

Main Bearing Bar Size, Inches	Maximum Safe Concentrated Load, Lbs./Ft. Width - at ClearSpan										
	2'- 0"	2'- 6"	3'- 0"	3'- 6"	4'- 0"	4'- 6"	5'- 0"	5'- 6"	6'- 0"	7'- 0"	8'- 0"
3 x 3/16	8679	6943	5786	4959	4339						
3-1/2 x 3/16	11813	9450	7875	6750	5906	5250					
4 x 3/16	15429	12343	10286	8816	7714	6857	6171				
4-1/2 x 3/16	19527	15621	13018	11158	9763	8679	7811	7101	6509		
5 x 3/16	24107	19286	16071	13776	12054	10714	9643	8766	8036		
6 x 3/16	34714	27771	23143	19837	17357	15429	13886	12623	11571	9918	8679

Loads given are theoretical and based on a unit stress of 27,000 psi.

Panel Width Chart (in.) - 28-WH-4 Dimensions Are Out-to-Out of Bearing Bars

No. of Bars	2	3	4	5	6	7	8	9	10	11	12	13	14	15	16
3/16" Bars	1-15/16	3-11/16	5-7/16	7-3/16	8-15/16	10-11/16	12-7/16	14-3/16	15-15/16	17-11/16	19-7/16	21-3/16	22-15/16	24-11/16	26-7/16
No. of Bars	17	18	19	20	21	22	23	24							
3/16" Bars	28-3/16	29-15/16	31-11/16	33-7/16	35-3/16	36-15/16	38-11/16	40-7/16							

Wheels n' Heels® Metro 33-WH-4 Grade 50 Carbon Steel

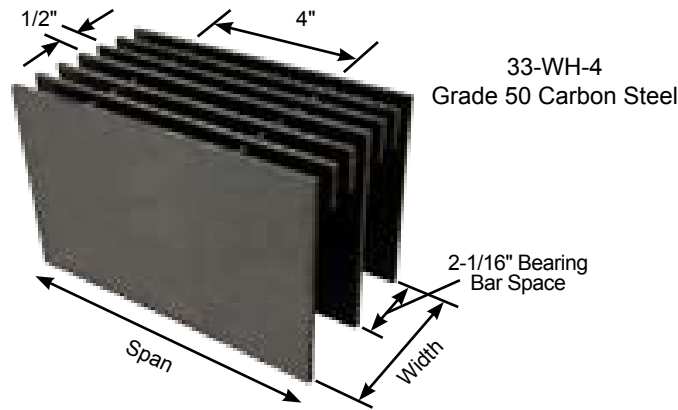
Visit http://www.ohiogratings.com/prod_specs.html
for full product specifications.

Bicycle Friendly

Banding Optional ▶

This grating meets ANSI/
NAAMM MBG - 532,
ADA spacing & AASHTO
H20/H15 standards.

*A slip resistant surface is
recommended to meet ADA
guidelines.*



% Open Area*

67%

with 1/2" opening
between bearing or
filler bars.

Main Bearing Bar Size Inches	Weight Lbs. Sq. Ft.	Section Properties		Cross Bar Size, Inches	Maximum Safe ClearSpan , Inches- Partially Distributed Load				Maximum Manufactured Spans Inches
		Sx, in ³ Ft. Width	Ix, in ⁴ Ft. Width		Lift truck Capacity			AASHTO H15/H20	
					1 Ton	3 Ton	5 Ton		
3 x 3/16	20.47	1.636	2.455	1 x 1/8	37	22	22	26	288
3-1/2 x 3/16	22.33	2.227	3.898	1 x 1/8	50	29	28	32	288
4 x 3/16	24.19	2.909	5.818	1 x 1/8	63 *	37	35	40	288
4-1/2 x 3/16	26.04	3.682	8.284	1 x 1/8	75 *	45 *	43	48	288
5 x 3/16	27.90	4.545	11.364	1 x 1/8	88 *	52 *	51	57	288
6 x 3/16	31.62	6.545	19.636	1 x 1/8	96 *	69 *	72	78	288
7 x 3/16	35.34	8.909	31.182	1 x 1/8	96 *	86 *	95	96 *	288

*Span limited based on L / 400 max deflection or 96" max span

Main Bearing Bar Size Inches	Maximum Safe Concentrated Load, Lbs./Ft. Width - at ClearSpan											
	2'- 0"	2'- 6"	3'- 0"	3'- 6"	4'- 0"	4'- 6"	5'- 0"	5'- 6"	6'- 0"	7'- 0"	8'- 0"	
3 x 3/16	7364	5891	4909	4208	3682							
3-1/2 x 3/16	10023	8018	6682	5727	5011	4455						
4 x 3/16	13091	10473	8727	7481	6545	5818	5236					
4-1/2 x 3/16	16568	13255	11045	9468	8284	7364	6627	6025	5523			
5 x 3/16	20455	16364	13636	11688	10227	9091	8182	7438	6818			
6 x 3/16	29455	23564	19636	16831	14727	13091	11782	10711	9818	8416	7364	
7 x 3/16	40091	32073	26727	22909	20045	17818	16036	14579	13364	11455	10023	

Loads given are theoretical and based on a unit stress of 27,000 psi.

Panel Width Chart (in.) - 33-WH-4 **Dimensions Are Out-to-Out of Bearing Bars**

No. of Bars	2	3	4	5	6	7	8	9	10	11	12	13	14	15	16
3/16" Bars	2-1/4	4-5/16	6-3/8	8-7/16	10-1/2	12-9/16	14-5/8	16-11/16	18-3/4	20-13/16	22-7/8	24-15/16	27	29-1/16	31-1/8
No. of Bars	17	18	19												
3/16" Bars	33-3/16	35-1/4	37-5/16												

Wheels n' Heels® Metro 42-WH-4 Grade 50 Carbon Steel

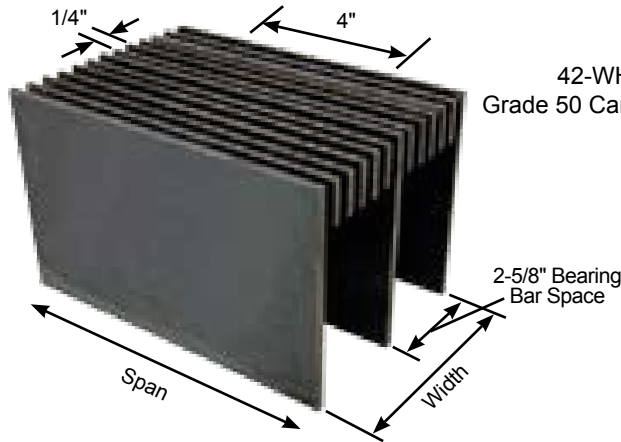
Visit http://www.ohiogratings.com/prod_specs.html
for full product specifications.

Bicycle Friendly

Banding Optional ▶

This grating meets ANSI/NAAMM MBG - 532, ADA & High Heel spacing & AASHTO H20/H15 standards.

A slip resistant surface is recommended to meet ADA guidelines.



42-WH-4
Grade 50 Carbon Steel

% Open Area*
52%

with 1/4" opening between bearing or filler bars.

Main Bearing Bar Size Inches	Weight Lbs. Sq. Ft.	Section Properties		Cross Bar Size, Inches	Maximum Safe ClearSpan , Inches-Partially Distributed Load				Maximum Manufactured Spans Inches
		Sx, in ³ Ft. Width	Ix, in ⁴ Ft. Width		Lift truck Capacity			AASHTO	
					1 Ton	3 Ton	5 Ton	H15/H20	
3 x 3/16	25.25	1.286	1.929	1 x 1/8	33	20	19	23	288
3-1/2 x 3/16	26.71	1.750	3.063	1 x 1/8	45	26	24	28	288
4 x 3/16	28.17	2.286	4.571	1 x 1/8	58	32	30	34	288
4-1/2 x 3/16	29.63	2.893	6.509	1 x 1/8	71 *	40	37	41	288
5 x 3/16	31.09	3.571	8.929	1 x 1/8	83 *	49	44	49	288
6 x 3/16	34.01	5.143	15.429	1 x 1/8	96 *	64 *	61	66	288
7 x 3/16	36.93	7.000	24.500	1 x 1/8	96 *	80 *	81	86	288

*Span limited based on L / 400 max deflection or 96" max span

Main Bearing Bar Size Inches	Maximum Safe Concentrated Load, Lbs./Ft. Width - at ClearSpan										
	2'- 0"	2'- 6"	3'- 0"	3'- 6"	4'- 0"	4'- 6"	5'- 0"	5'- 6"	6'- 0"	7'- 0"	8'- 0"
3 x 3/16	5786	4629	3857	3306	2893						
3-1/2 x 3/16	7875	6300	5250	4500	3938	3500					
4 x 3/16	10286	8229	6857	5878	5143	4571	4114				
4-1/2 x 3/16	13018	10414	8679	7439	6509	5786	5207	4734	4339		
5 x 3/16	16071	12857	10714	9184	8036	7143	6429	5844	5357		
6 x 3/16	23143	18514	15429	13224	11571	10286	9257	8416	7714	6612	5786
7 x 3/16	31500	25200	21000	18000	15750	14000	12600	11455	10500	9000	7875

Loads given are theoretical and based on a unit stress of 27,000 psi.

Panel Width Chart (in.) - 42-WH-4		Dimensions Are Out-to-Out of Bearing Bars														
No. of Bars		2	3	4	5	6	7	8	9	10	11	12	13	14	15	16
3/16" Bars		2-13/16	5-7/16	8-1/16	10-11/16	13-5/16	15-15/16	18-9/16	21-3/16	23-13/16	26-7/16	29-1/16	31-11/16	34-5/16	36-15/16	39-9/16

Wheels n' Heels® Metro 44-WH-4 Grade 50 Carbon Steel

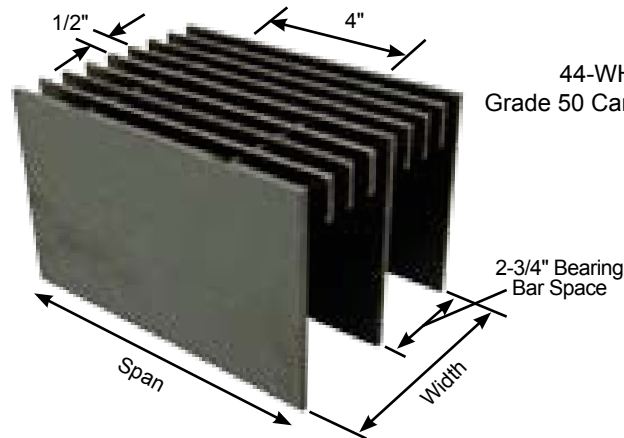
Visit http://www.ohiogratings.com/prod_specs.html
for full product specifications.

Bicycle Friendly

Banding Optional ▶

This grating meets ANSI/
NAAMM MBG - 532,
ADA spacing & AASHTO
H20/H15 standards.

A slip resistant surface is
recommended to meet ADA
guidelines.



44-WH-4
Grade 50 Carbon Steel

% Open Area*

67%

with 1/2" opening
between bearing or
filler bars.

Main Bearing Bar Size Inches	Weight Lbs. Sq. Ft.	Section Properties		Cross Bar Size, Inches	Maximum Safe ClearSpan , Inches- Partially Distributed Load				Maximum Manufactured Spans Inches
		Sx, in ³ Ft. Width	Ix, in ⁴ Ft. Width		Lift truck Capacity			AASHTO H15/H20	
					1 Ton	3 Ton	5 Ton		
3 x 3/16	18.61	1.227	1.841	1 x 1/8	33	19	19	22	288
3-1/2 x 3/16	20.00	1.670	2.923	1 x 1/8	44	25	24	27	288
4 x 3/16	21.40	2.182	4.364	1 x 1/8	56	32	30	33	288
4-1/2 x 3/16	22.79	2.761	6.213	1 x 1/8	70 *	39	36	40	288
5 x 3/16	24.19	3.409	8.523	1 x 1/8	82 *	47	43	48	288
6 x 3/16	26.97	4.909	14.727	1 x 1/8	96 *	63 *	60	64	288
7 x 3/16	29.76	6.682	23.386	1 x 1/8	96 *	79 *	79	84	288

*Span limited based on L / 400 max deflection or 96" max span.

Main Bearing Bar Size Inches	Maximum Safe Concentrated Load, Lbs./Ft. Width - at ClearSpan										
	2'- 0"	2'- 6"	3'- 0"	3'- 6"	4'- 0"	4'- 6"	5'- 0"	5'- 6"	6'- 0"	7'- 0"	8'- 0"
3 x 3/16	5523	4418	3682	3156	2761						
3-1/2 x 3/16	7517	6014	5011	4295	3759	3341					
4 x 3/16	9818	7855	6545	5610	4909	4364	3927				
4-1/2 x 3/16	12426	9941	8284	7101	6213	5523	4970	4519	4142		
5 x 3/16	15341	12273	10227	8766	7670	6818	6136	5579	5114		
6 x 3/16	22091	17673	14727	12623	11045	9818	8836	8033	7364	6312	5523
7 x 3/16	30068	24055	20045	17182	15034	13364	12027	10934	10023	8591	7517

Loads given are theoretical and based on a unit stress of 27,000 psi.

Panel Width Chart (in.) - 44-WH-4 **Dimensions Are Out-to-Out of Bearing Bars**

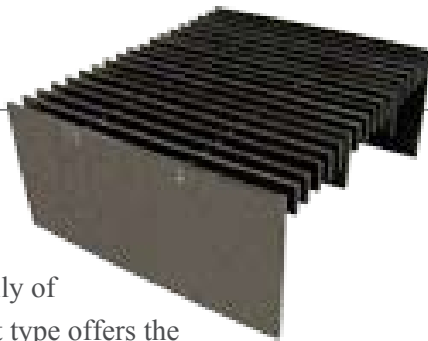
No. of Bars	2	3	4	5	6	7	8	9	10	11	12	13	14	15	16
3/16" Bars	2-15/16	5-11/16	8-7/16	11-3/16	13-15/16	16-11/16	19-7/16	22-3/16	24-15/16	27-11/16	30-7/16	33-3/16	35-15/16	38-11/16	

HEAVY DUTY Wheels n' Heels® InVent



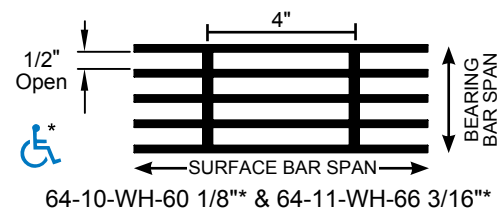
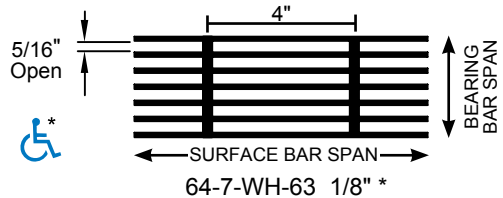
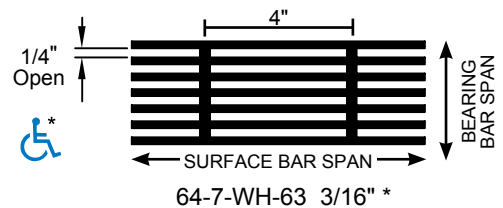
InVent

The **Wheels n' Heels® InVent** is the newest addition to the **Wheels n' Heels®** family of grate products. This product type offers the same high strength to weight ratio, excellent appearance and compliance with AASHTO and ADA and High Heel requirements as the Metro type along with being bicycle friendly. The major difference with the **InVent** style is that the main support bearing bars are hidden under the top surface bars and run in the direction perpendicular to the top surface bars. This feature allows OGi to offer you the most flexibility in product types to fit the grating supports of your project. Also available in Stainless Steel upon request.



A slip resistant surface is recommended to meet ADA guidelines.

GRATING PROFILES AVAILABLE... Heavy Duty Wheels n' Heels® InVent



*Note: Conforms with the spacing requirements of ADA (July 1991) when installed with the elongated opening perpendicular to the dominant direction of travel. See ADA Guidelines

Wheels n' Heels® InVent 64-7-WH-63 1/8" Grade 50 Carbon Steel

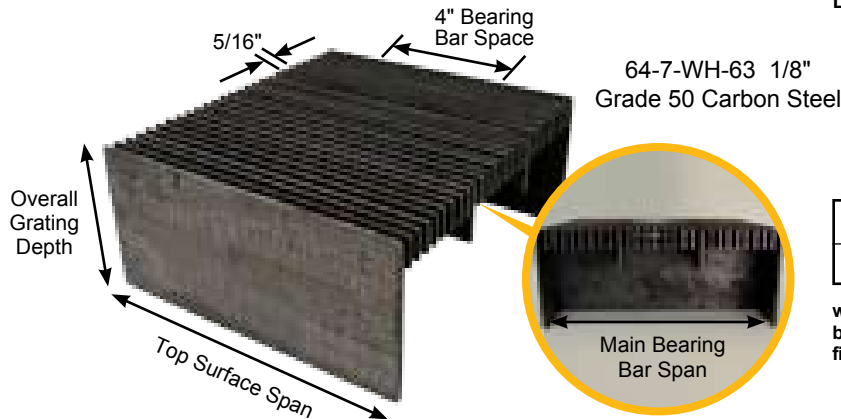
Visit http://www.ohiogratings.com/prod_specs.html for full product specifications.

Bicycle Friendly

Banding Optional ▶

This grating meets ANSI/NAAMM MBG - 532, ADA & High heel spacing & AASHTO H20/H15 standards.

A slip resistant surface is recommended to meet ADA guidelines.



64-7-WH-63 1/8"
Grade 50 Carbon Steel

% Open Area*

66%

with 5/16" opening between bearing or filler bars.

Main bearing bars are concealed below the swaged panel.

Size, Overall Grating Depth Inches	Main Bearing Bar Inches Grade 50	Weight Lbs./ Sq. Ft.	Section Properties		Top Surface Bar Size, Inches	Maximum Safe ClearSpan, Inches- Partially Distributed Load				Maximum Manufactured Span Top Surface Bars Inches
			Sx, in ³ Ft. Width	Ix, in ⁴ Ft. Width		Lift Truck Capacity			AASHTO H15/H20	
						1 Ton	3 Ton	5 Ton		
2-1/2	1-1/2 x 1/4	16.69	0.281	0.211	1 x 1/8	11	8	9	11	288
3	2 x 1/4	17.97	0.500	0.500	1 x 1/8	18	11	12	14	288
3-1/2	2-1/2 x 1/4	19.24	0.781	0.977	1 x 1/8	27	16	15	18	288
4	3 x 1/4	20.52	1.125	1.688	1 x 1/8	37	21	20	22	288
4-1/2	3-1/2 x 1/4	21.80	1.531	2.680	1 x 1/8	50	27	25	28	288
5	4 x 1/4	23.08	2.000	4.000	1 x 1/8	63 *	34	31	34	288
5-1/2	4-1/2 x 1/4	24.36	2.531	5.695	1 x 1/8	76 *	43	38	41	288
6	5 x 1/4	25.63	3.125	7.813	1 x 1/8	89 *	50 *	45	48	288
6-1/2	5-1/2 x 1/4	26.91	3.781	10.398	1 x 1/8	96 *	58 *	53	56	288
7	6 x 1/4	28.19	4.500	13.500	1 x 1/8	96 *	66 *	63	65	288
8	7 x 1/4	30.75	6.125	21.438	1 x 1/8	96 *	83 *	83	84	288

*Span limited based on L / 400 max deflection or 96" max span.

Size Inches	Main Bearing Bar Inches	Maximum Safe Concentrated Load, Lbs./Ft. Width - at ClearSpan											
		2'- 0"	2'- 6"	3'- 0"	3'- 6"	4'- 0"	4'- 6"	5'- 0"	5'- 6"	6'- 0"	7'- 0"	8'- 0"	
2-1/2	1-1/2 x 1/4	1266											
3	2 x 1/4	2250	1800										
3-1/2	2-1/2 x 1/4	3516	2813	2344									
4	3 x 1/4	5063	4050	3375	2893	2531							
4-1/2	3-1/2 x 1/4	6891	5513	4594	3938	3445	3063						
5	4 x 1/4	9000	7200	6000	5143	4500	4000	3600					
5-1/2	4-1/2 x 1/4	11391	9113	7594	6509	5695	5063	4556	4142	3797			
6	5 x 1/4	14063	11250	9375	8036	7031	6250	5625	5114	4688			
6-1/2	5-1/2 x 1/4	17016	13613	11344	9723	8508	7563	6806	6188	5672	4862		
7	6 x 1/4	20250	16200	13500	11571	10125	9000	8100	7364	6750	5786	5063	
8	7 x 1/4	27563	22050	18375	15750	13781	12250	11025	10023	9188	7875	6891	

Loads given are theoretical and based on a unit stress of 27,000 psi.

Wheels n' Heels® InVent 64-7-WH-63 3/16" Grade 50 Carbon Steel

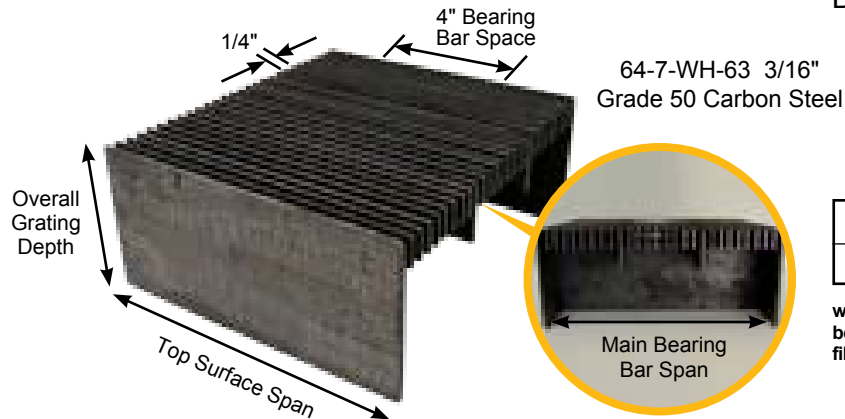
Visit http://www.ohiogratings.com/prod_specs.html
for full product specifications.

Bicycle Friendly

Banding Optional

This grating meets ANSI/NAAMM MBG - 532, ADA & High heel spacing & AASHTO H20/H15 standards.

A slip resistant surface is recommended to meet ADA guidelines.



64-7-WH-63 3/16"
Grade 50 Carbon Steel

% Open Area*
52%

with 1/4" opening between bearing or filler bars.

Main bearing bars are concealed below the swaged panel.

Size, Overall Grating Depth Inches	Main Bearing Bar Inches Grade 50	Weight Lbs./ Sq. Ft.	Section Properties		Top Surface Bar Size, Inches	Maximum Safe ClearSpan , Inches- Partially Distributed Load				Maximum Manufactured Span Top Surface Bars Inches
			Sx, in ³ Ft. Width	Ix, in ⁴ Ft. Width		Lift Truck Capacity			AASHTO H15/H20	
						1 Ton	3 Ton	5 Ton		
2-1/2	1-1/2 x 1/4	22.85	0.281	0.211	1 x 3/16	11	8	9	11	288
3	2 x 1/4	24.13	0.500	0.500	1 x 3/16	18	11	12	14	288
3-1/2	2-1/2 x 1/4	25.41	0.781	0.977	1 x 3/16	27	16	15	18	288
4	3 x 1/4	26.69	1.125	1.688	1 x 3/16	37	21	20	22	288
4-1/2	3-1/2 x 1/4	27.97	1.531	2.680	1 x 3/16	50	27	25	28	288
5	4 x 1/4	29.24	2.000	4.000	1 x 3/16	63 *	34	31	34	288
5-1/2	4-1/2 x 1/4	30.52	2.531	5.695	1 x 3/16	76 *	43	38	41	288
6	5 x 1/4	31.80	3.125	7.813	1 x 3/16	89 *	50 *	45	48	288
6-1/2	5-1/2 x 1/4	33.08	3.781	10.398	1 x 3/16	96 *	58 *	53	56	288
7	6 x 1/4	34.36	4.500	13.500	1 x 3/16	96 *	66 *	63	65	288
8	7 x 1/4	36.91	6.125	21.438	1 x 3/16	96 *	83 *	83	84	288

*Span limited based on L / 400 max deflection or 96" max span.

Size Inches	Main Bearing Bar Inches	Maximum Safe Concentrated Load, Lbs./Ft. Width - at ClearSpan										
		2'- 0"	2'- 6"	3'- 0"	3'- 6"	4'- 0"	4'- 6"	5'- 0"	5'- 6"	6'- 0"	7'- 0"	8'- 0"
2-1/2	1-1/2 x 1/4	1266										
3	2 x 1/4	2250	1800									
3-1/2	2-1/2 x 1/4	3516	2813	2344								
4	3 x 1/4	5063	4050	3375	2893	2531						
4-1/2	3-1/2 x 1/4	6891	5513	4594	3938	3445	3063					
5	4 x 1/4	9000	7200	6000	5143	4500	4000	3600				
5-1/2	4-1/2 x 1/4	11391	9113	7594	6509	5695	5063	4556	4142	3797		
6	5 x 1/4	14063	11250	9375	8036	7031	6250	5625	5114	4688		
6-1/2	5-1/2 x 1/4	17016	13613	11344	9723	8508	7563	6806	6188	5672	4862	
7	6 x 1/4	20250	16200	13500	11571	10125	9000	8100	7364	6750	5786	5063
8	7 x 1/4	27563	22050	18375	15750	13781	12250	11025	10023	9188	7875	6891

Loads given are theoretical and based on a unit stress of 27,000 psi.

Wheels n' Heels® InVent 64-10-WH-60 1/8" Grade 50 Carbon Steel

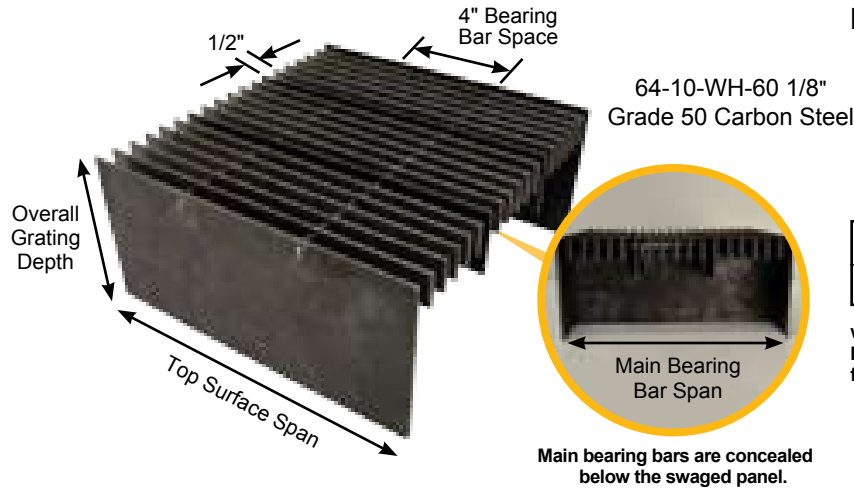
Visit http://www.ohiogratings.com/prod_specs.html for full product specifications.

Bicycle Friendly

Banding Optional ▶

This grating meets ANSI/NAAMM MBG - 532, ADA spacing & AASHTO H20/H15 standards.

A slip resistant surface is recommended to meet ADA guidelines.



% Open Area*
76%

with 1/2" opening between bearing or filler bars.

Size, Overall Grating Depth Inches	Main Bearing Bar Inches Grade 50	Weight Lbs./ Sq. Ft.	Section Properties		Top Surface Bar Size, Inches	Maximum Safe ClearSpan, Inches- Partially Distributed Load				Maximum Manufactured Span Top Surface Bars Inches
			Sx, in ³ Ft. Width	Ix, in ⁴ Ft. Width		Lift Truck Capacity			AASHTO H15/H20	
						1 Ton	3 Ton	5 Ton		
2-1/2	1-1/2 x 1/4	13.21	0.281	0.211	1 x 1/8	11	8	9	11	288
3	2 x 1/4	14.49	0.500	0.500	1 x 1/8	18	11	12	14	288
3-1/2	2-1/2 x 1/4	15.77	0.781	0.977	1 x 1/8	27	16	15	18	288
4	3 x 1/4	17.05	1.125	1.688	1 x 1/8	37	21	20	22	288
4-1/2	3-1/2 x 1/4	18.33	1.531	2.680	1 x 1/8	50	27	25	28	288
5	4 x 1/4	19.60	2.000	4.000	1 x 1/8	63 *	34	31	34	288
5-1/2	4-1/2 x 1/4	20.88	2.531	5.695	1 x 1/8	76 *	43	38	41	288
6	5 x 1/4	22.16	3.125	7.813	1 x 1/8	89 *	50 *	45	48	288
6-1/2	5-1/2 x 1/4	23.44	3.781	10.398	1 x 1/8	96 *	58 *	53	56	288
7	6 x 1/4	24.72	4.500	13.500	1 x 1/8	96 *	66 *	63	65	288
8	7 x 1/4	27.27	6.125	21.438	1 x 1/8	96 *	83 *	83	84	288

*Span limited based on L / 400 max deflection or 96" max span.

Size Inches	Main Bearing Bar Inches	Maximum Safe Concentrated Load, Lbs./Ft. Width - at ClearSpan										
		2'- 0"	2'- 6"	3'- 0"	3'- 6"	4'- 0"	4'- 6"	5'- 0"	5'- 6"	6'- 0"	7'- 0"	8'- 0"
2-1/2	1-1/2 x 1/4	1266										
3	2 x 1/4	2250	1800									
3-1/2	2-1/2 x 1/4	3516	2813	2344								
4	3 x 1/4	5063	4050	3375	2893	2531						
4-1/2	3-1/2 x 1/4	6891	5513	4594	3938	3445	3063					
5	4 x 1/4	9000	7200	6000	5143	4500	4000	3600				
5-1/2	4-1/2 x 1/4	11391	9113	7594	6509	5695	5063	4556	4142	3797		
6	5 x 1/4	14063	11250	9375	8036	7031	6250	5625	5114	4688		
6-1/2	5-1/2 x 1/4	17016	13613	11344	9723	8508	7563	6806	6188	5672	4862	
7	6 x 1/4	20250	16200	13500	11571	10125	9000	8100	7364	6750	5786	5063
8	7 x 1/4	27563	22050	18375	15750	13781	12250	11025	10023	9188	7875	6891

Loads given are theoretical and based on a unit stress of 27,000 psi.

Wheels n' Heels® InVent 64-11-WH-66 3/16" Grade 50 Carbon Steel

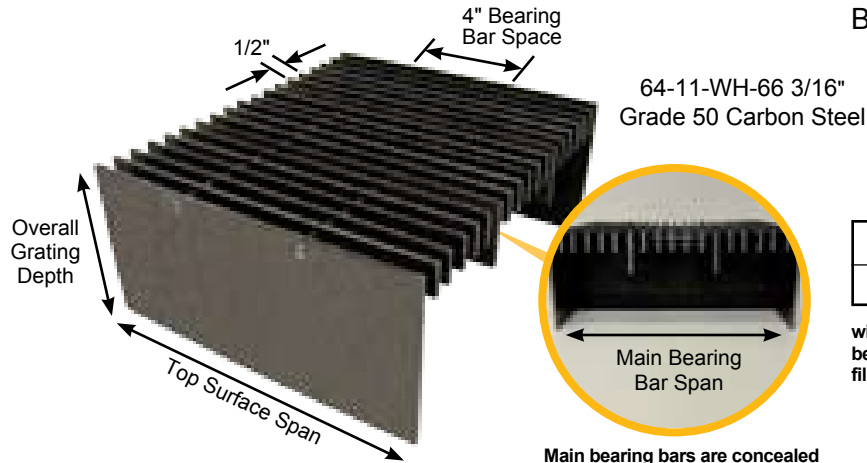
Visit http://www.ohiogratings.com/prod_specs.html
for full product specifications.

Bicycle Friendly

Banding Optional ▶

This grating meets ANSI/NAAMM MBG - 532, ADA spacing & AASHTO H20/H15 standards.

A slip resistant surface is recommended to meet ADA guidelines.



% Open Area*
68%

with 1/2" opening between bearing or filler bars.

Main bearing bars are concealed below the swaged panel.

Size, Overall Grating Depth Inches	Main Bearing Bar Inches Grade 50	Weight Lbs./ Sq. Ft.	Section Properties		Top Surface Bar Size, Inches	Maximum Safe ClearSpan , Inches- Partially Distributed Load				Maximum Manufactured Span Top Surface Bars Inches
			Sx, in ³ Ft. Width	Ix, in ⁴ Ft. Width		Lift Truck Capacity			AASHTO H15/H20	
						1 Ton	3 Ton	5 Ton		
2-1/2	1-1/2 x 1/4	16.44	0.281	0.211	1 x 3/16	11	8	9	11	288
3	2 x 1/4	17.71	0.500	0.500	1 x 3/16	18	11	12	14	288
3-1/2	2-1/2 x 1/4	18.99	0.781	0.977	1 x 3/16	27	16	15	18	288
4	3 x 1/4	20.27	1.125	1.688	1 x 3/16	37	21	20	22	288
4-1/2	3-1/2 x 1/4	21.55	1.531	2.680	1 x 3/16	50	27	25	28	288
5	4 x 1/4	22.83	2.000	4.000	1 x 3/16	63 *	34	31	34	288
5-1/2	4-1/2 x 1/4	24.10	2.531	5.695	1 x 3/16	76 *	43	38	41	288
6	5 x 1/4	25.38	3.125	7.813	1 x 3/16	89 *	50 *	45	48	288
6-1/2	5-1/2 x 1/4	26.66	3.781	10.398	1 x 3/16	96 *	58 *	53	56	288
7	6 x 1/4	27.94	4.500	13.500	1 x 3/16	96 *	66 *	63	65	288
8	7 x 1/4	30.49	6.125	21.438	1 x 3/16	96 *	83 *	83	84	288

*Span limited based on L / 400 max deflection or 96" max span.

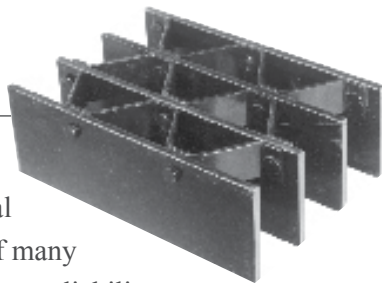
Size Inches	Main Bearing Bar Inches	Maximum Safe Concentrated Load, Lbs./Ft. Width - at ClearSpan										
		2'- 0"	2'- 6"	3'- 0"	3'- 6"	4'- 0"	4'- 6"	5'- 0"	5'- 6"	6'- 0"	7'- 0"	8'- 0"
2-1/2	1-1/2 x 1/4	1266										
3	2 x 1/4	2250	1800									
3-1/2	2-1/2 x 1/4	3516	2813	2344								
4	3 x 1/4	5063	4050	3375	2893	2531						
4-1/2	3-1/2 x 1/4	6891	5513	4594	3938	3445	3063					
5	4 x 1/4	9000	7200	6000	5143	4500	4000	3600				
5-1/2	4-1/2 x 1/4	11391	9113	7594	6509	5695	5063	4556	4142	3797		
6	5 x 1/4	14063	11250	9375	8036	7031	6250	5625	5114	4688		
6-1/2	5-1/2 x 1/4	17016	13613	11344	9723	8508	7563	6806	6188	5672	4862	
7	6 x 1/4	20250	16200	13500	11571	10125	9000	8100	7364	6750	5786	5063
8	7 x 1/4	27563	22050	18375	15750	13781	12250	11025	10023	9188	7875	6891

Loads given are theoretical and based on a unit stress of 27,000 psi.

HEAVY DUTY RIVETED STEEL



R SERIES

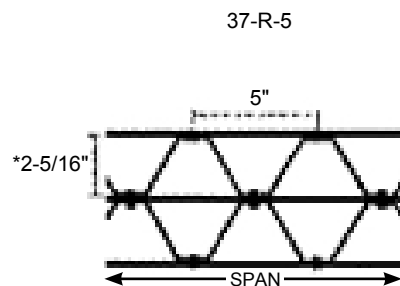


Heavy duty riveted grating is the oldest style of industrial grating, but still the choice of many engineers due to its ruggedness, reliability and durability. This grating is composed of straight bearing bars and bent connecting bars which are joined at their contact points by rivets. Since the connecting bars extend continuously between bearing bars along the grating spans, they not only serve to join the bearing bars together, but also contribute to the load carrying capability and lateral stability of the grating panels. This added dimension makes heavy duty riveted grating an ideal choice where high strength and stiffness are required. These products are ideal for vehicle bridge decks. Slip resistant surfaces are available.

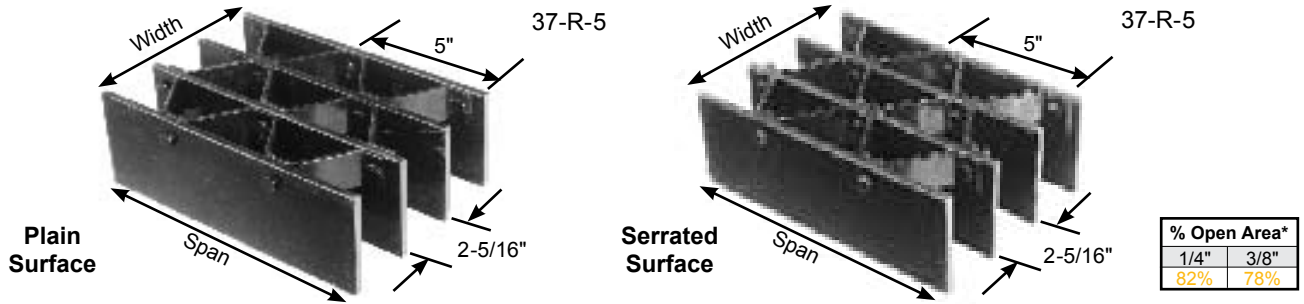
Serrated surface also available.
*** Other bridge deck configurations are available.**
Please call for details.

GRATING PROFILES AVAILABLE...

R Series Heavy Duty Riveted Steel



***Note:** That riveted grating marking indicates space between bearing bars.



Bar Size, Inches	Wt.* Lbs. Sq. Ft.	Section Properties		Cross Bar Size, Inches	Maximum Safe ClearSpan, Inches- Partially Distributed Load			
		Sx*, in ³ Ft. Width	Ix*, in ⁴ Ft. Width		1 Ton	3 Ton	5 Ton	H15/H20
2 x 1/4	14.63	0.991	1.080	1-1/2 x 3/16	19	12	13	16
2 x 3/8	17.91	1.319	1.409	1-1/2 x 3/16	25	16	16	19
2-1/4 x 1/4	15.68	1.185	1.482	1-1/2 x 3/16	22	14	15	17
2-1/4 x 3/8	19.41	1.606	1.957	1-1/2 x 3/16	30	18	18	21
2-1/2 x 1/4	17.02	1.422	1.999	1-1/2 x 3/16	26	16	17	20
2-1/2 x 3/8	20.84	1.946	2.657	1-1/2 x 3/16	37	22	21	24
3 x 1/4	19.27	2.006	3.420	1-1/2 x 3/16	37	22	21	25
3 x 3/8	23.96	2.769	4.568	1-1/2 x 3/16	51	29	28	31
3-1/2 x 1/4	21.52	2.723	5.427	1-1/2 x 3/16	49	28	27	31
3-1/2 x 3/8	27.09	3.764	7.252	1-1/2 x 3/16	65	38	36	40
4 x 1/4	23.78	3.560	8.097	1-1/2 x 3/16	63	36	33	38
4 x 3/8	30.21	4.923	10.818	1-1/2 x 3/16	74	49	45	50
4-1/2 x 1/4	26.03	4.513	11.508	1-1/2 x 3/16	74	44	41	46
4-1/2 x 3/8	33.34	6.238	15.372	1-1/2 x 3/16	83	61	55	60
5 x 1/4	28.28	5.577	15.735	1-1/2 x 3/16	83	54	49	54
5 x 3/8	36.46	7.705	21.021	1-1/2 x 3/16	92	74	67	72

*Based on approximately 4.5 bars/ft of grating width. Bearing bars 2-5/16" face-to-face.

Bar Size, Inches	Maximum Safe Concentrated Load*, Lbs. - ClearSpan													
	1'- 0"	1'- 6"	2'- 0"	2'- 6"	3'- 0"	3'- 6"	4'- 0"	4'- 6"	5'- 0"	5'- 6"	6'- 0"	6'- 6"	7'- 0"	8'- 0"
2 x 1/4	6607	4404	3303	2643	2202	1888	1652	1468	1321	1201	1101	1016	944	826
2 x 3/8	8792	5862	4396	3517	2931	2512	2198	1954	1758	1599	1465	1353	1256	1099
2-1/4 x 1/4	7903	5268	3951	3161	2634	2258	1976	1756	1581	1437	1317	1216	1129	988
2-1/4 x 3/8	10706	7137	5353	4282	3569	3059	2677	2379	2141	1947	1784	1647	1529	1338
2-1/2 x 1/4	9481	6321	4741	3793	3160	2709	2370	2107	1896	1724	1580	1459	1354	1185
2-1/2 x 3/8	12974	8649	6487	5190	4325	3707	3244	2883	2595	2359	2162	1996	1853	1622
3 x 1/4	13373	8916	6687	5349	4458	3821	3343	2972	2675	2432	2229	2057	1910	1672
3 x 3/8	18457	12304	9228	7383	6152	5273	4614	4101	3691	3356	3076	2839	2637	2307
3-1/2 x 1/4	18151	12101	9076	7261	6050	5186	4538	4034	3630	3300	3025	2793	2593	2269
3-1/2 x 3/8	25096	16731	12548	10038	8365	7170	6274	5577	5019	4563	4183	3861	3585	3137
4 x 1/4	23735	15823	11867	9494	7912	6781	5934	5274	4747	4315	3956	3651	3391	2967
4 x 3/8	32821	21880	16410	13128	10940	9377	8205	7293	6564	5967	5470	5049	4689	4103
4-1/2 x 1/4	30087	20058	15044	12035	10029	8596	7522	6686	6017	5470	5015	4629	4298	3761
4-1/2 x 3/8	41587	27724	20793	16635	13862	11882	10397	9241	8317	7561	6931	6398	5941	5198
5 x 1/4	37181	24787	18590	14872	12394	10623	9295	8262	7436	6760	6197	5720	5312	4648
5 x 3/8	51366	34244	25683	20546	17122	14676	12842	11415	10273	9339	8561	7902	7338	6421

*Based on Bearing bars/ Ft of Width = No. of Connecting bars/ Ft of Width = 4.683 for b = 1/4" & Based on Bearing bars/ Ft of Width = No. of Connecting bars/ Ft of Width = 4.465 for b = 3/8" Allowable Fiber Stress = 20,000 psi

Panel Width Chart (in.) - 37-R-5		Dimensions Are Out-to-Out of Bearing Bars**													
No. of Bars	2	3	4	5	6	7	8	9	10	11	12	13	14	15	16
1/4" Bars	2-13/16	5-3/8	7-15/16	10-1/2	13-1/16	15-5/8	18-3/16	20-3/4	23-5/16	25-7/8	28-7/16	31	33-9/16	36-1/8	38-11/16
3/8" Bars	3-1/16	5-3/4	8-7/16	11-1/8	13-13/16	16-1/2	19-3/16	21-7/8	24-9/16	27-1/4	29-15/16	32-5/8	35-5/16	38	40-11/16

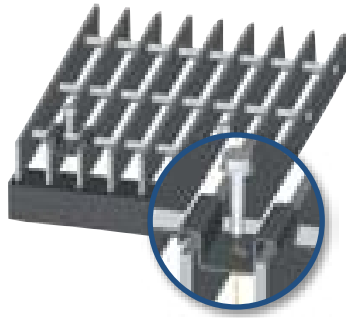
**Add 3/8" for rivet heads.

ANCHORING DEVICES

Saddle Clip

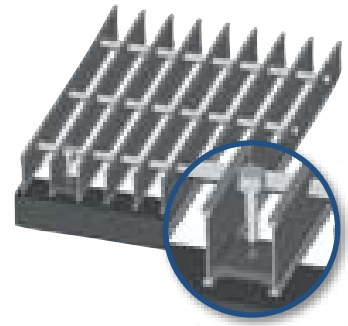
A special bent-clip type fastener for removable bar grating panels, available in aluminum, stainless steel and galvanized steel.

Note: Cross bars may need to be snipped in the field to facilitate placement of saddle clips.



Lug

A plank lug inserted then tack welded between flanges, can serve as an ideal anchor block for plank grating.



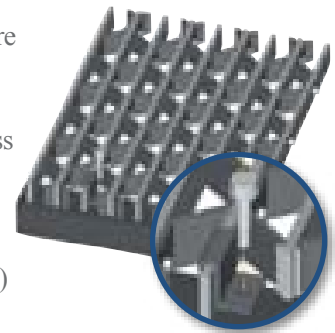
Channel Frame

A special C-channel frame fastener system used in conjunction with welded anchor blocks between bearing bars. The fabricated frame is held in place by TEK screws that are attached to the anchor blocks. Recommended spacing is between 12" and 16" O.C."



Z-Clip

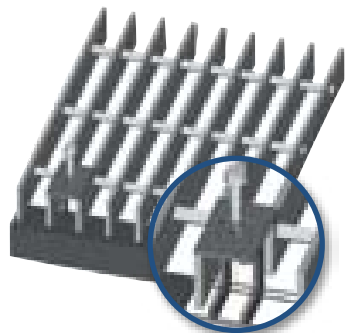
The most versatile clip anchor available is the Z-Clip. They are especially helpful in holding down riveted grating. Z-Clips are manufactured from stainless steel and are available in 1" (1" & 1-1/4" grating), 1-1/2" (1-1/2" & 1-3/4" grating), and 2" (2", 2-1/4" & 2-1/2" grating) with a pre-punched hole to accept a 1/4" bolt or TEK screw.



Grating Clamp

A special friction fastener available in stainless steel and galvanized steel used in conjunction with bar grating and embedded grating frames.

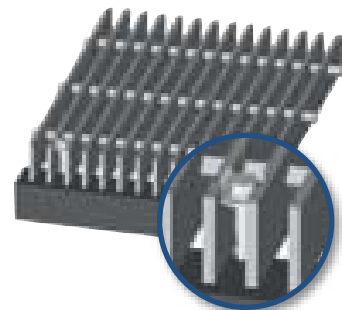
Note: Cross bars may need to be snipped in the field to facilitate placement of grating clamps.



Countersunk Land

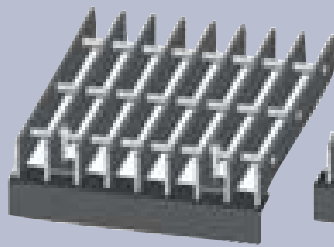
For close-mesh aluminum grating (7/16") bearing bar centers, a countersunk land may be drilled by the grating manufacturer for use with a 1/4" dia. TEK screw.

Note: Available for aluminum grating and steel.

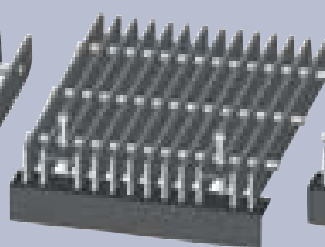


Anchor Block

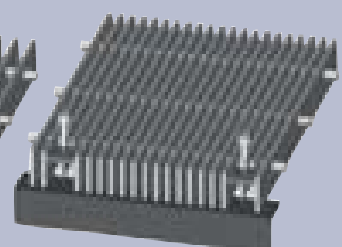
Anchor blocks of 1/4" or 3/16" thick aluminum or steel may be shop welded by the grating manufacturer and used to fasten permanent or removable grating panels. Anchor blocks are recessed thus offering a trip-free surface.



19-SG-4



11-SG-4



7-SG-4

Note: For ADA compliant spacings, the lug will typically be installed at the top. Tack welding of grating in the field (by others) is also a positive method for anchoring all permanently installed grating.

STANDARD PRACTICES

The following information has been excerpted from the NAAMM Metal Bar Grating Manual and represents those practices which are generally accepted to be standard in the metal bar grating industry.

Quotations

Quotations shall be offered on the basis of unit price per square foot (in rectangular sections) and per tread. Plans submitted for bidding shall be fully dimensioned and shall provide the complete product description, including bar spacing, span direction, cutout locations, anchorage devices, and finish required.

Extras

A partial list of those items not included in unit price quotations, and which shall be treated as unit price extras, is as follows: straight and circular cutting and banding, toe plates, support plates or angles, hinges, lift handles, locking devices, anchors, hole drilling or punching, grinding of welds, sandblasting, deburring and special bundling.

Drawings & Specifications

The Buyer is expected to furnish a set of construction drawings and specifications of current issue showing the layout of supports and floor openings correctly dimensioned, together with the sizes and types of grating and treads required. The Seller shall submit to the Buyer three (3) prints or one reproducible paper copy of detailed drawings in outline form for the latter's approval or desired changes. The Buyer shall return one copy marked with approval or desired changes. Should changes be required which involve work not called for in the original plans and specifications, the Seller shall have the right to charge extra for the engineering work required to make such changes. After all necessary corrections and/or changes are made, the drawings shall be resubmitted to the Buyer for his final approval. The Seller shall not proceed with any shop work until drawings are finally approved.

Installation Drawings

If requested, the Seller shall furnish to the Buyer, a maximum of four sets of prints or one reproducible paper copy of all installation drawings.

Quantity Measurements

Quantity measurements for gratings ordered to specific dimensions without drawings, shall be based on span times width of each panel, with no deduction made for cutouts. Final calculated grating quantities supplied from drawings shall be on the basis of gross area measured center-to-center of supports, or back-to-back of supporting angles or channels, or overall dimensions of grating, whichever is larger, with no deduction for clearances. Measurement of cuts shall be on the basis of a minimum of one lineal foot per cut panel. Any cut in excess of one lineal foot shall be measured to the next higher lineal foot. Measurement of banding, toe plates and nosings shall be on the same basis as that of cuts.

Changes in Scope

If at any time during the course of the work, the Buyer orders changes made which require materials and/or labor not called for in the original bidding plans, the cost of making such changes shall be paid by the Buyer at a price to be agreed upon.

Field Work

The Seller shall not be responsible for taking actual measurements of construction work in the field, nor for erection or installation of the grating.

Backcharges

Upon discovery of unsatisfactory material, the Buyer shall immediately notify the Seller, who will initiate an investigation into the complaint. The Seller shall be given the opportunity to inspect the material **PRIOR TO ANY CORRECTIVE WORK BEING DONE**. The Seller is responsible for providing grating in accordance with approved drawings and specifications. The Seller is not responsible for field changes, drawing changes not received and approved by Seller prior to grating fabrication, improper fabrication and/or erection of supporting members. If the investigation and inspection confirm errors in grating fabrication, the Seller agrees to repair and/or replace defective material at no additional charge to Buyer.

Claims

All claims are handled independently of all initial orders or invoices.

SPECIFICATION INFORMATION

OGi is a member in good standing with the National Association of Architectural Metal Manufacturers.

All aluminum and steel grating manufactured and fabricated by Ohio Gratings is done so in accordance with the NAAMM Metal Bar Grating Manual, current edition, which is an approved standard of the American National Standards Institute and designated

as ANSI/NAAMM MBG 531 (steel, stainless steel, and aluminum grating and stair treads) and ANSI/NAAMM MBG 532 (structural carbon steel and stainless steel).

The following table outlines the material, Federal, Military and finishing specifications routinely used by the grating industry. In the absence of customer furnished specifications, the following will apply:

SPECIFICATIONS				
PRODUCT	MATERIAL	FEDERAL	MILITARY	FINISH
Aluminum Flush Top, Aluminum Rectangular Bar, Aluminum I-Bar, Lite Bar, Aluminum Dove Tail, Aluminum Riveted	1. Alloy 6063-T6 per ASTM B-221 and QQ -A-200/9. 2. Alloy 6061-T6 per ASTM B-221 and QQ -A-200/8 (by inquiry).	ANSI /NAAMM MBG 531	MIL-G-18014 (Ships)	1. Mill Finish 2. Clear Anodized AA-A31 (30 min.) or AA-A41 (60 min.) (by inquiry). 3. Other (by inquiry).
Aluminum Plank, Aluminum Grating Frames	1. Alloy 6063-T6 per ASTM B-221 and QQ -A-200/9.		MIL-G-18015 (Ships)	1. Mill Finish 2. Other (by inquiry).
Heavy Duty Welded Steel, Heavy Duty Riveted Steel	1. Grade 36 (1/4", 5/16", 3/8", 1/2" carbon steel). 2. Other (by inquiry).	AASHTO (American Association of State Highway & Transportation Officials) Standard Specification For Highway Bridges ANSI/NAAMM MBG 532		1. One coat manufacturer's standard black paint. This is not a permanent finish system, but is intended to protect the grating in transit only because it will chip. 2. Galvanizing per ASTM A-123/A-385.
Light Duty Welded Carbon Steel, Light Duty Dove Tail Carbon Steel, Light Duty Swaged Carbon Steel, Light Duty Swaged Stainless Steel, Light Duty Riveted Carbon Steel, Light Duty Welded Stainless Steel	1. ASTM A-1011 (1/8", 3/16", 1/4" carbon steel). 2. Grade 36 (1/4" carbon steel) by inquiry. 3. Type 304 per ASTM A-666 (1/8" and 3/16" stainless steel). 4. Other (by inquiry).	ANSI /NAAMM MBG 531	MIL-G-18014 (Ships)	1. One coat manufacturer's standard black paint. This is not a permanent finish system, but is intended to protect the grating in transit only because it will chip. 2. Galvanizing per ASTM A-123/A-385.
Light Duty Carbon Steel All Aluminum Products	1. Alloy 6063-T6 per ASTM B-221 and QQ -A-200/9.	ANSI /NAAMM MBG 531	NA	1. TGIC Polyester Systems, a permanent durable finish that resists impact, humidity and salt spray which increases material longevity.

*Effective March 10, 1989, the Naval Facilities Engineering Command adopted the NAAMM Metal Bar Grating Manual for Department of Defense use, replacing Federal Spec RR-G-661 as the specification for carbon steel and aluminum metal bar grating flooring, except for naval vessels.

A Word About Finishing Grating

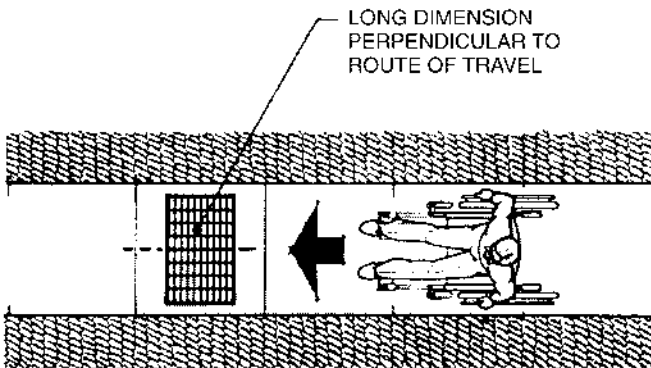
Since the aluminum oxide coating of aluminum bar is relatively inert chemically, and is self-repairing when damaged in the presence of oxygen, aluminum bar

grating possesses a high degree of corrosion resistance in the mill finished condition, and is typically specified without additional coatings or treatment.

ADA GUIDELINES

ADA Accessibility Guidelines

On July 26, 1991 the Architectural and Transportation Barriers Compliance Board (Access Board) published the Americans with Disabilities Act Accessibility Guidelines (ADAAG). The ADA establishes accessibility requirements for new construction and alterations of State and local government facilities, and places of public accommodation and commercial facilities. As updated in the November 16, 1999 ADAAG Notice of Proposed Rule making, section 302.3 states that “openings in floor or ground surfaces shall allow passage of a sphere not more than 1/2 inch (13 mm) diameter. Elongated openings shall be placed so that the long dimension is perpendicular to the dominant direction of travel.”

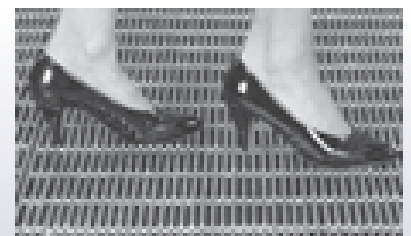
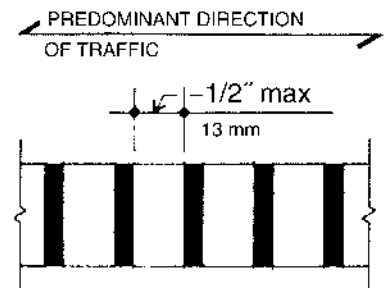


Ohio Gratings manufactures Aluminum, Light Duty Carbon and Stainless Steel, and Heavy Duty Carbon Steel grating products which conform with the spacing requirements of the ADA Accessibility Guidelines for Buildings and Facilities. The specification and use of this family of **GRATER AccESS®** products will ensure that your project is both pedestrian friendly and vehicle safe. Since these Accessibility Guidelines are subject to change, please contact the factory for up-to-date information regarding the use of grating in ADA applications.

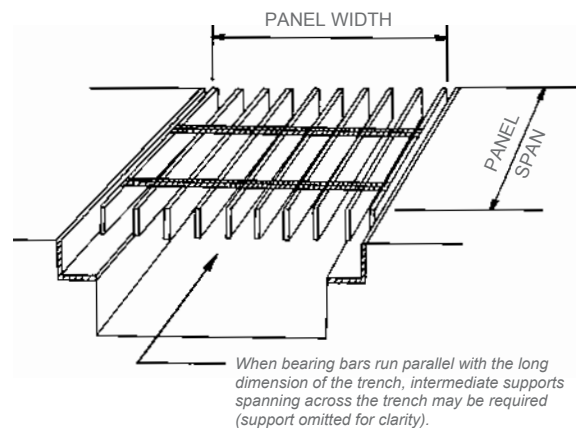
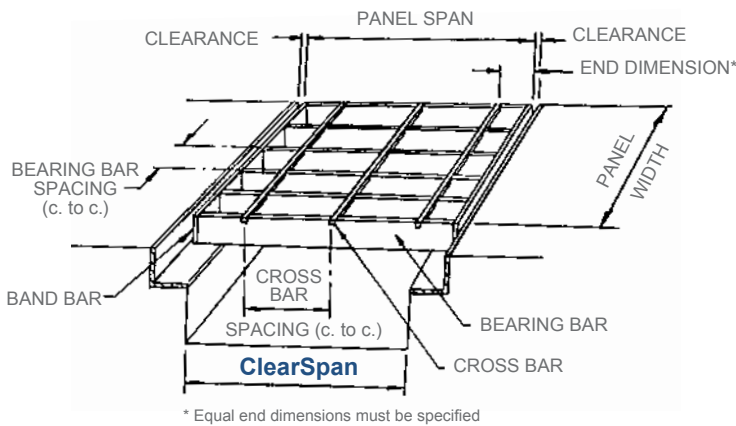
Note: Bar grating has historically been an industrial foot walk product, intended for use in catwalks, platforms, stairways, and roadways (Heavy Duty only), and is designed to be installed in a fastened condition. This grating is standardly subject to manufacturing and fabrication tolerances as dictated by the ANSI/NAAMM Metal Bar Grating Manual. While these tolerances and the various finishes available are suitable for most industrial applications, they may not be appropriate for some commercial or architectural uses. Please contact the factory for further specification assistance.



ADA Note: As of the publication date of this catalog, Ohio Gratings' products having a 1/2" maximum opening conform with the Americans with Disabilities Act Accessibility Guidelines (ADAAG), issued in July 1991, and the ADAAG Notice of Proposed Rule making issued on November 16, 1999, for grating when installed with the elongated opening perpendicular to the dominant direction of travel.



NOMENCLATURE & VOCABULARY



Methods of name identification used in this catalog

This catalog uses a form of the NAAMM alpha-numeric designation for bar spacing and manufacturing identification. The first number signifies center-to-center bearing bar spacing in 1/16ths of an inch*. A letter designates method of manufacture. The last number details center-to-center cross bar spacing in whole inches (usually 4" or 2"), or rivet spacing (usually 3-1/2", 5" or 7").

Methods of manufacturing and their letter designations used in this catalog:

SG- Swaged Rectangular Bar	W- Welded Steel
SGF- Swaged Flush	DT- Dove Tail
SGL- Swaged I-Bar	ADT- Dove Tail (Aluminum)
SGLi- Swaged Lite Bar	SGCS- Swaged Carbon Steel
R- Riveted (Steel)	SGSS- Swaged Stainless Steel
AR- Riveted Aluminum	WH- Wheels n' Heels®
LG- Louver	PL- MBG PressLock

For Example:

19-W-4	Bearing Bars 19/16" (or 1-3/16") c.c. – Welded Steel Construction – Cross Bars 4" c.c.
15-SGL-2	Bearing Bars 15/16" c.c. – Swaged I-Bar – Cross Bars 2" c.c.

Other Bearing Bar spacings commonly used throughout the industry are designated this way:

38-W-4 (or 2)	Bearing Bars 38/16" c.c.(2-3/8" c.c.)
30-W-4 (or 2)	Bearing Bars 30/16" c.c.(1-7/8" c.c.)
22-W-4 (or 2)	Bearing Bars 22/16" c.c.(1-3/8" c.c.)
11-SG-4 (or 2)	Bearing Bars 11/16" c.c.
7-SG-4 (or 2)	Bearing Bars 7/16" c.c.
18-R-7 (or 3-1/2)	Bearing Bars 18/16" c.c. face-to-face (1-1/8")*
37-R-5	Bearing Bars 37/16" c.c. face-to-face (2-5/16")*
12-R-7 (or 3-1/2)	Bearing Bars 12/16" c.c. face-to-face (3/4")*

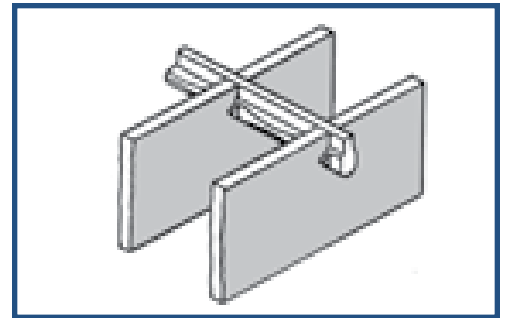
PRESSURE LOCKED GRATING

Pressure Locking

The most common method of manufacturing aluminum bar grating is through a process known as pressure locking. Pressure locked grating as defined by the NAAMM Metal Bar Grating Manual is grating in which “bearing bars are locked in position by cross bar deformation instead of riveting or welding.” Ohio Gratings manufactures both traditional, dove tail pressure locked grating, and swaged grating. Both manufacturing processes are used to manufacture, not only aluminum grating, but also carbon steel grating (see pages 43). Additionally, the swaging process is used to produce stainless steel grating (see page 61). Each method of manufacture is further described below.

Aluminum Flush Top Grating

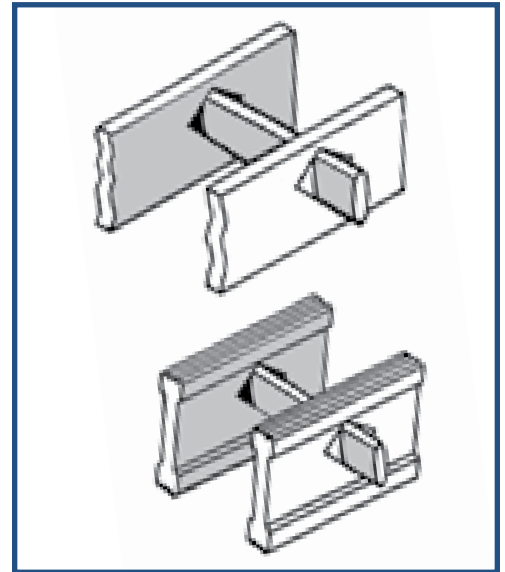
Aluminum Flush Top grating from Ohio Gratings combines the sure lock reliability of swage-locked grating with the cosmetic appeal and added walking surface of traditional pressure locked grating. Best of all, by taking advantage of the swage-lock manufacturing process, Aluminum Flush Top grating offers a cost savings over traditional pressure locked grating while at the same time allowing banding to be an option rather than a requirement. Field cutting is also possible.



Aluminum Rectangular/I-Bar Grating

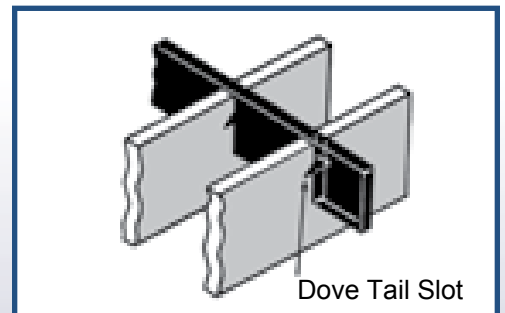
These two grating designs utilize a process by which 1/4" or 5/16" square cross bars are assembled through punched, diamond shaped holes in the bearing bars, and then secured by swaging to prevent turning, twisting, or loosening. Available with either rectangular or I-shaped bearing bar sections, this manufacturing process offers:

1. The economy of cutting individual pieces from panels.
2. Enables field alteration of grating panels.
3. Allows banding as an option rather than as a requirement.



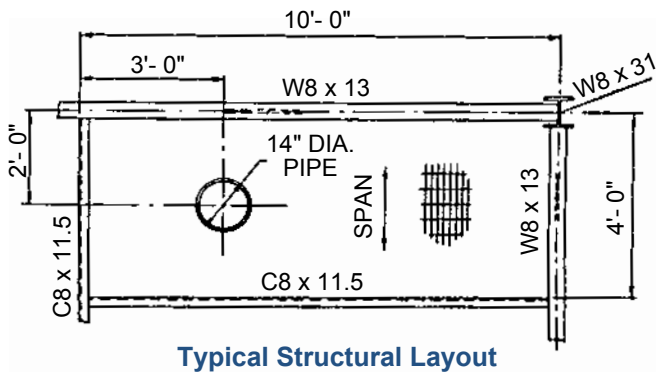
Dove Tail Pressure Locked Grating

This first generation pressure locked design involves pressing the cross bars into the main bars under hydraulic pressure, forcing 1/16" of cross bar material laterally into “dove tail” slots in the main bars. Each piece is then generally end banded to provide panel stability, and outside bearing bars and cross bars are usually tack welded to ensure integrity. Pieces may be made individually to size, or may be shop cut from panels. Field alteration of this style of grating is typically more difficult than field fabrication of swaged grating, and is generally discouraged.

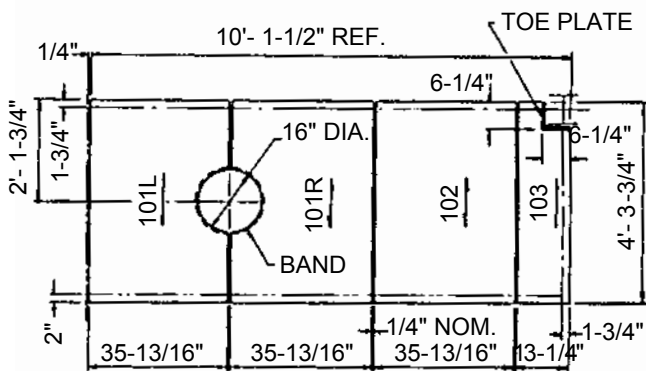


CUSTOM FABRICATION

All types of fabrication typically associated with the grating industry are performed by experienced and expert craftsmen at Ohio Gratings. Services available include straight and circular cutting and banding, fabrication of radially cut grating panels, toe plate attachment, grating with checker plate, heavy duty grating with cross bars top and bottom, serrated heavy duty bearing bars and cross bars, egg-crate construction, vault grating, grating with hinges and locks, and heavy duty grating with spacer bars to form an extremely close mesh (see Wheels n' Heels® Heavy Duty Steel Grating).



Typical Structural Layout



Typical Panel Layout

Shown above is an example of a customer supplied structural drawing (top sketch) and the corresponding grating layout drawing as furnished by Ohio Gratings (bottom sketch).

Drawings & Templates

The majority of fabrication performed by Ohio Gratings is done in accordance with grating drawings prepared by the Engineering Department. These grating erection drawings are generally produced from the structural drawings, or grating outline drawings, as supplied by the customer.

Each grating panel is tagged with a mark number which corresponds to a mark number on the drawing. This marking system allows grating panels to be identified during the fabrication process, and, when used in conjunction with the grating drawing, facilitates the correct placement of grating panels during erection.

While some grating companies work from floor layouts, Ohio Gratings has chosen to employ personnel thoroughly versed in the trigonometry of grating design, and shop employees who are experts at blueprint reading. This combination has been found to be the most efficient approach to drawing preparation, customer drawing approval, and shop fabrication.

Occasionally, extremely intricate grating areas require that fabrication be accomplished from a template used to supplement the grating drawing. Templates supplied by the customer are usually made from cardboard or plastic. In addition to grating configuration, templates must indicate top and bottom sides, and whether or not they represent the size of the opening or the size of the grating. Grating can be fabricated from templates for a nominal charge, over and above the standard fabrication charge.

Please contact the factory regarding the electronic transfer of drawings via the Internet.



FIBERGLASS FABRICATION

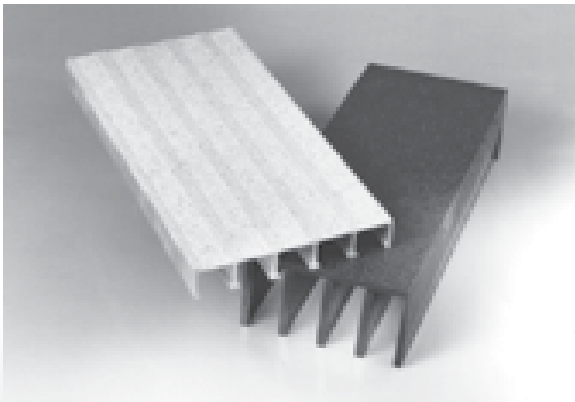
Ohio Gratings stocks and fabricates most major types of fiberglass grating. Molded fiberglass, both square mesh and rectangular mesh, as well as pultruded grating is available in panel form, or cut-to-length and fabricated per customer specifications. Ohio Gratings also has the ability to supply FRP platforms, ladders and handrail. For more information regarding OGI's FRP fabrication capabilities, please contact the factory.

CUSTOM FABRICATION

Grating/Plate Combinations

For those flooring areas requiring the solid surface of plate, and the structural strength and removability of grating, assemblies combining checkered or smooth plate with aluminum, light duty steel, or heavy duty steel can be furnished. Unless otherwise specified, 3/16" welds, one inch long on 12" centers in each direction are used to join grating and plate. Due to the rolled in stresses inherent in plate, and the subsequent stress release and warping which can accompany galvanizing, the following limitations apply to steel grating/checker plate assemblies:

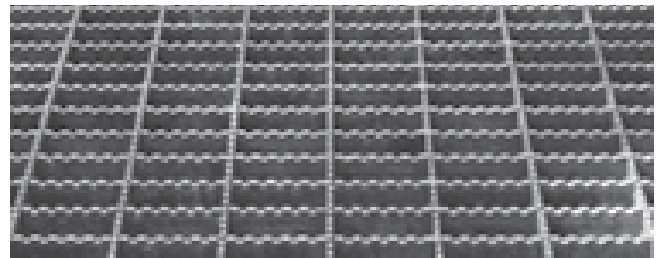
1. Light Duty Steel Grating and Plate combinations will be furnished in the mill finished or painted black conditions only. Deviation from this policy will be at customer risk, i.e., flatness tolerances will not be guaranteed for galvanized material.
2. In addition to the painted or mill finished condition, Heavy Duty Grating/Plate assemblies having bearing bars 2" x 3/8" or larger can be provided with a galvanized finish.
3. Steel Grating/Plate combinations will be installed with the plate on the BOTTOM of the grating. When installed with the plate facing up, the cross bars will be on the bottom of the grating. This will apply to steel only (not aluminum).
4. Galvanized Steel Grating/Plate will be fabricated with 1/2" diameter handling/drain hole in one corner of the plate.



Shown above is a steel grating/solid plate assembly coated with a slip resistant, anti-skid surface. For applications requiring the light weight or corrosion resistance of an aluminum grating / checkerplate combination, unpunched plank (shown above with a slip resistant surface) offers an economical alternative.

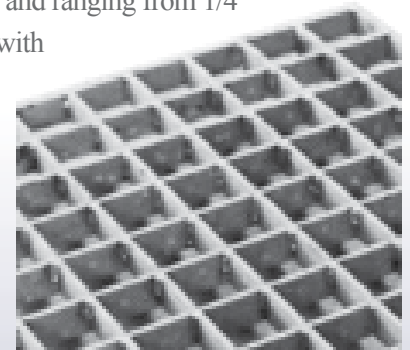
Serrated Rectangular Bearing Bars & Cross Bars

In order to achieve maximum skid resistance for wheel traffic, Ohio Gratings manufactures heavy duty welded steel grating with serrated rectangular bearing bars and cross bars. The rectangular cross bar design is especially suited to this application, providing a skid free surface, while at the same time offering lateral stability which is superior to the round cross rod design most common to the industry. Serrated bearing bars range from 1/4" thru 1/2" thick, while serrated cross bars are available in 1/4" and 3/8" thickness.



Egg-Crate Construction

Occasionally requirements call for the cross bars to be larger than standard, or in some cases, equal in size to the bearing bars. This condition may necessitate the notching of both the bearing bar and the cross bar resulting in a type of construction known as "egg-crate". Unless otherwise specified, each internal intersection is welded at two of the four corners, while the outside intersection is welded at one of the two corners. Depth of weld can vary depending upon the depth of the grating and the opening between bars. In general, egg-crate construction is limited to bars from 2" to 6" in depth and ranging from 1/4" up to 1" in thickness, with a minimum clear opening ranging from 2" to 4", depending upon bar size. The maximum panel size is typically 50 - 60 SF per piece.



CUSTOM FABRICATION

Hinges, Locks & Lift Handles



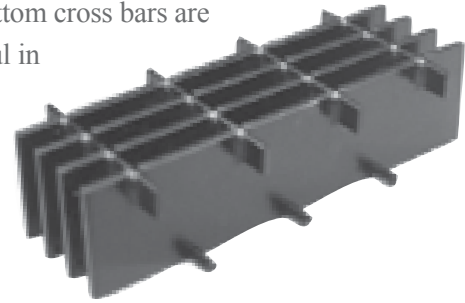
Since grating is typically used to provide multiple level flooring, quite often, grating hatches are needed to facilitate access from one level to another.

Ohio Gratings has years

of experience in fabricating grating panels with hinges and lift handles, and with locking devices for security purposes. Numerous typical details have been developed, and are on file.

Cross Bars Top & Bottom

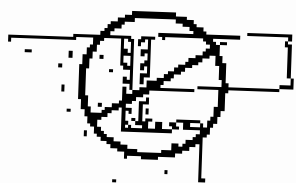
For those areas requiring added resistance to lateral forces, Ohio Gratings manufactures heavy duty welded steel grating with cross bars on the bottom, in addition to the standard cross bars which are located on the top. Bottom cross bars can be provided in rectangular or round design, and can be positioned as close together as 2" on center. Bottom cross bars are especially helpful in resisting the lateral impact of accelerating and decelerating wheel loads.



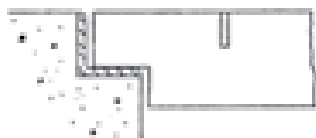
Notching/Welding

Notching is somewhat common in the industry, however, not recommended under certain conditions. Please consult factory for recommendations.

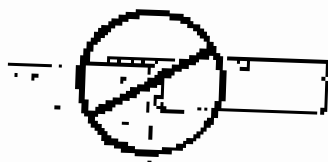
* Grating which is welded to an inverted angle or toe plate, and supported by the weld rather than by a bearing surface, is not recommended and should never be specified.



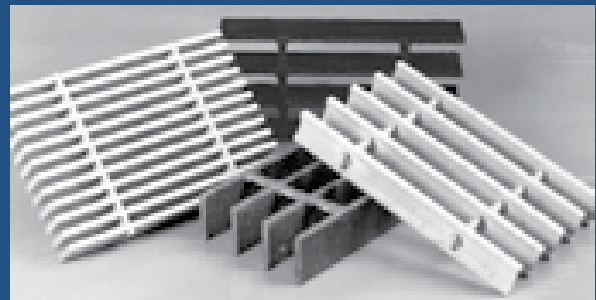
* Toe Plate



Notched Grating



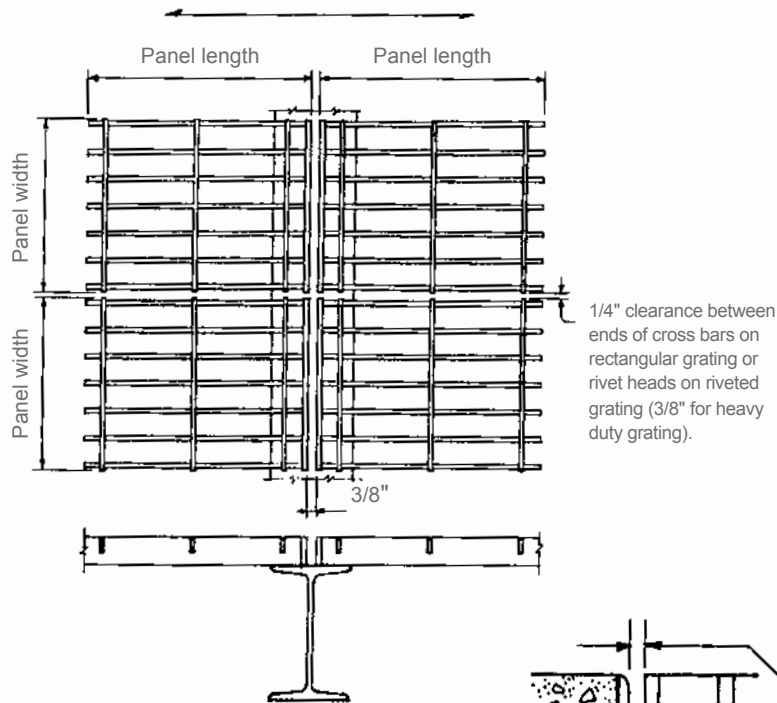
* Inverted Angle



Slip Resistant Surface

All Ohio Gratings' products are available with a slip resistant, metallic coating for maximum traction. This coating may be in the form of the plasma stream deposition of aluminum-on-aluminum or steel-on-steel, or may be in the form of a CNC laser deposition process. For the most suitable coating for your application, please contact the factory.

STANDARD INSTALLATION CLEARANCES

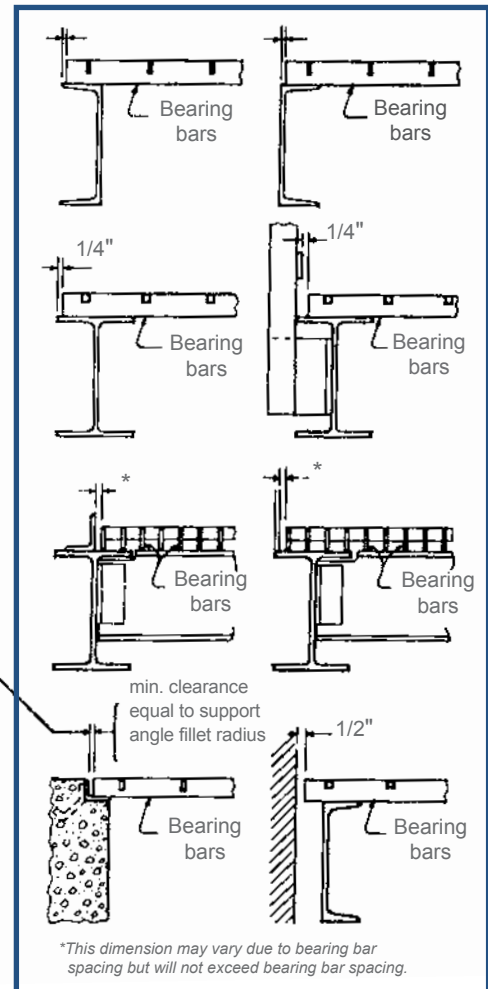
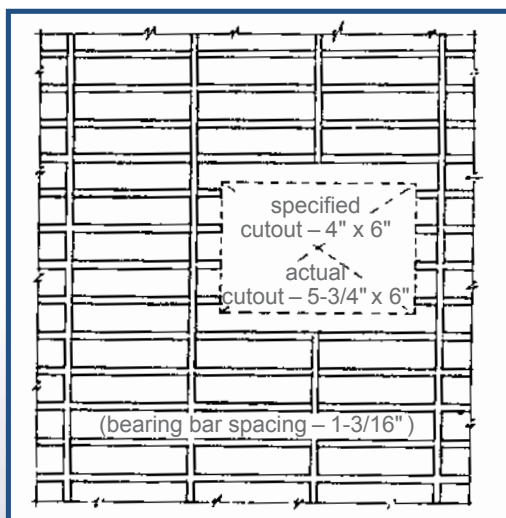


Banding may have less depth than bearing bars for trench grating to allow drainage. Full depth banding will be provided unless otherwise specified.

Clearances shown are recommended, but may vary in accordance with dimensional tolerances.

Heavy duty grating should be designed to have structural support under each bearing bar at cutouts.

As shown in the drawing below, all rectangular cutouts are made to the next bearing bar beyond the penetration with a clearance not to exceed bearing bar spacing.



Cutouts for circular obstructions are recommended to be at least 2" larger in diameter than the obstruction. It is further recommended that cutouts for all piping 4" or less be made in the field.

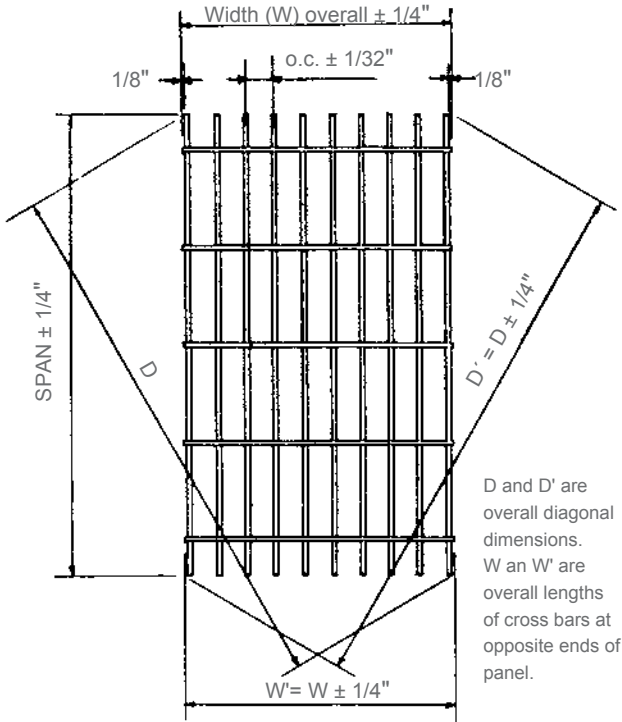
General Recommendations for Grating Installation

- Gratings must be installed with cross bars on top side.
- Notching of bearing bars at supports to maintain proper elevation is generally not recommended. If notching is required for installation, manufacturer should be consulted.
- Metal should always be used for all grating supports.
- A minimum of 1" bearing shall be provided for Aluminum and Light Duty Steel Grating. For Heavy Duty Steel Grating, 1" minimum bearing shall be provided for bearing bar depths up to 2-1/4", and 2" minimum bearing shall be provided for depths of 2-1/2" and over. This bearing surface does not include the support angle fillet radius noted above.

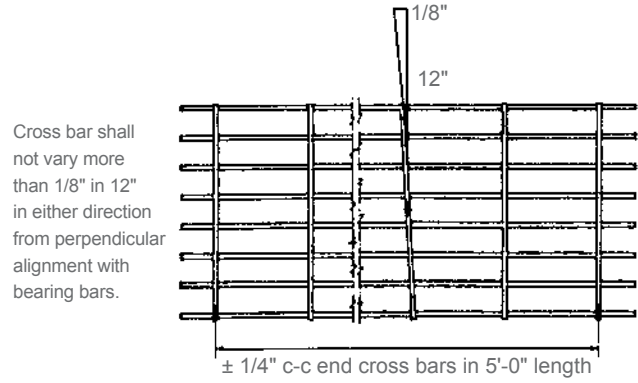
GRATING TOLERANCES

Light Duty Steel Grating & Aluminum Grating

Overall Dimensions and Squareness



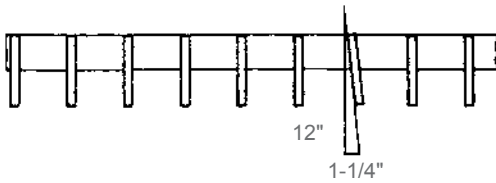
Cross Bar Alignment and Spacing



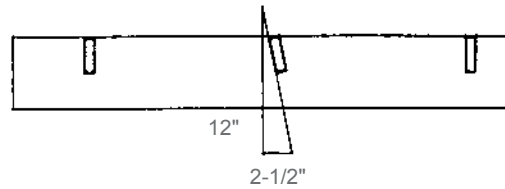
Cross Bar Location



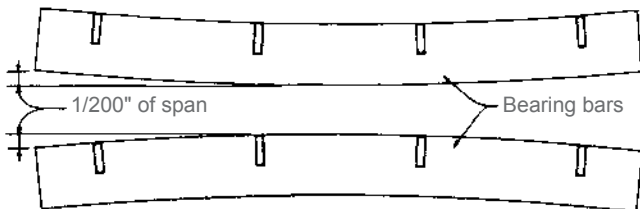
Bearing Bar Lean



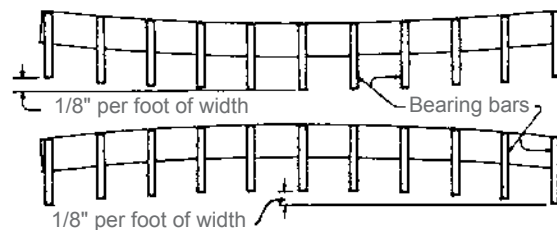
Cross Bar Lean



Longitudinal Bow



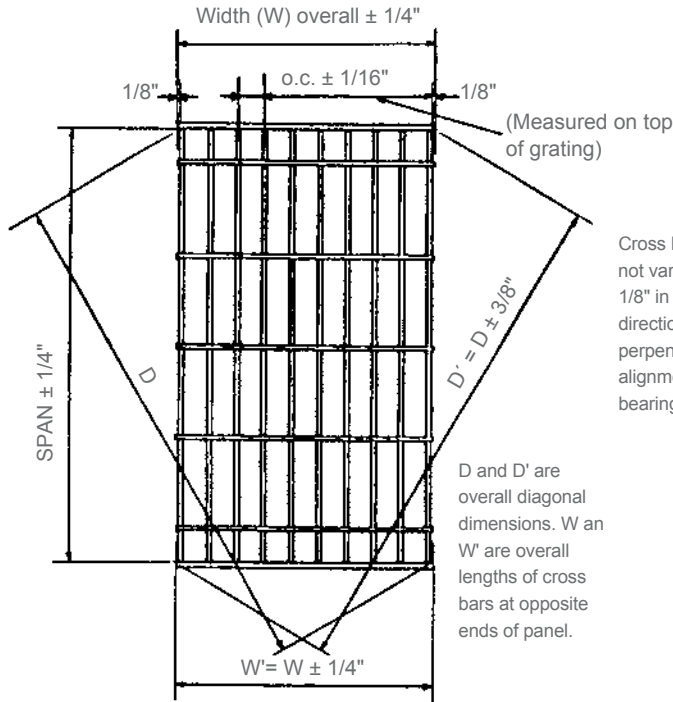
Transverse Bow (Before fastening to supports)



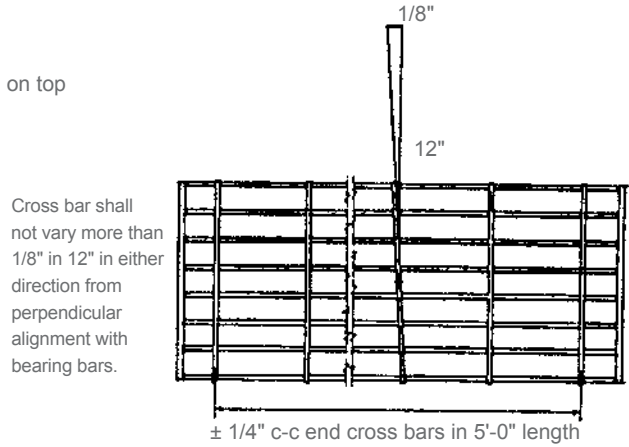
GRATING TOLERANCES

Heavy Duty Steel Grating

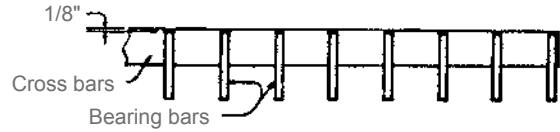
Overall Dimensions and Squareness



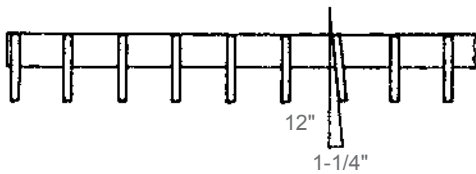
Cross Bar Alignment and Spacing



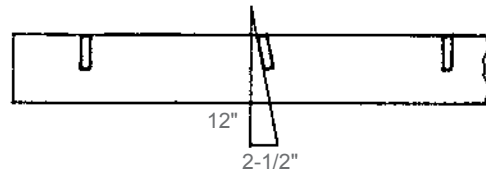
Cross Bar Location



Bearing Bar Lean

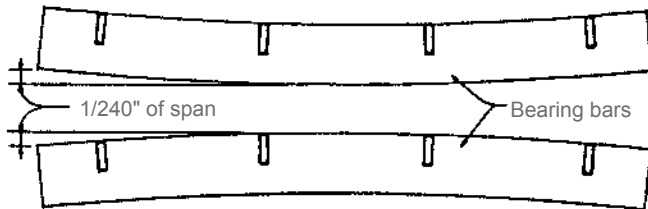


Cross Bar Lean



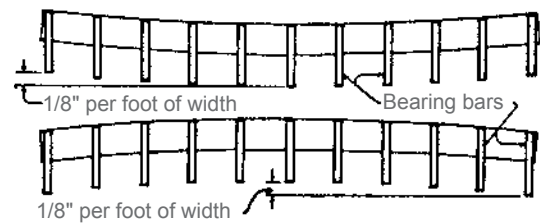
Longitudinal Bow

(Before fastening to supports)



Transverse Bow

(Before fastening to supports)

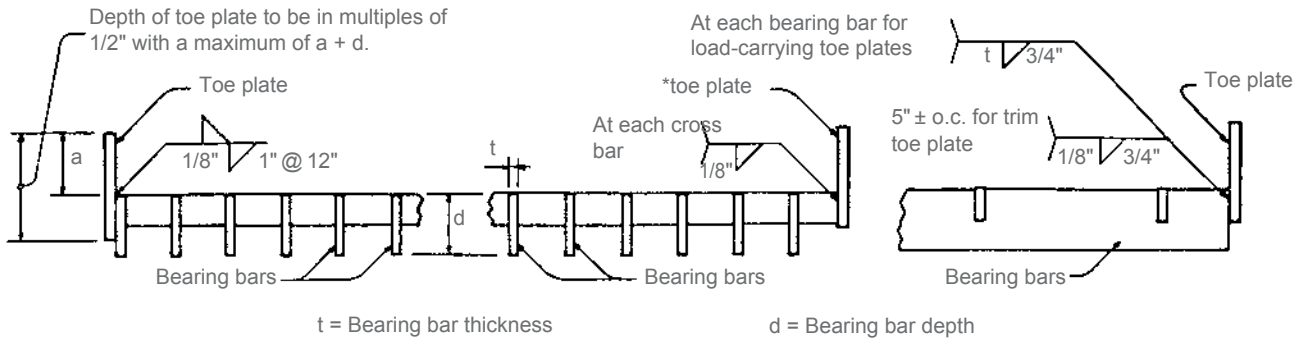


WELDING STANDARDS

Light Duty Steel Grating & Aluminum Grating

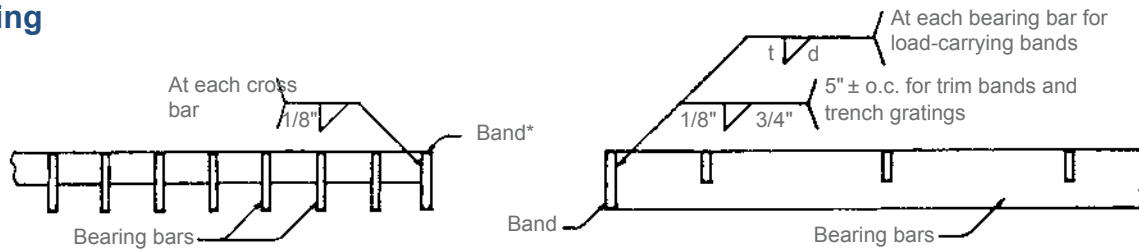
The welding standards shown here apply to those gratings and treads having a clear opening of not less than 5/8" between bearing bars and those galvanized as per ASTM A-123.

Toe Plates



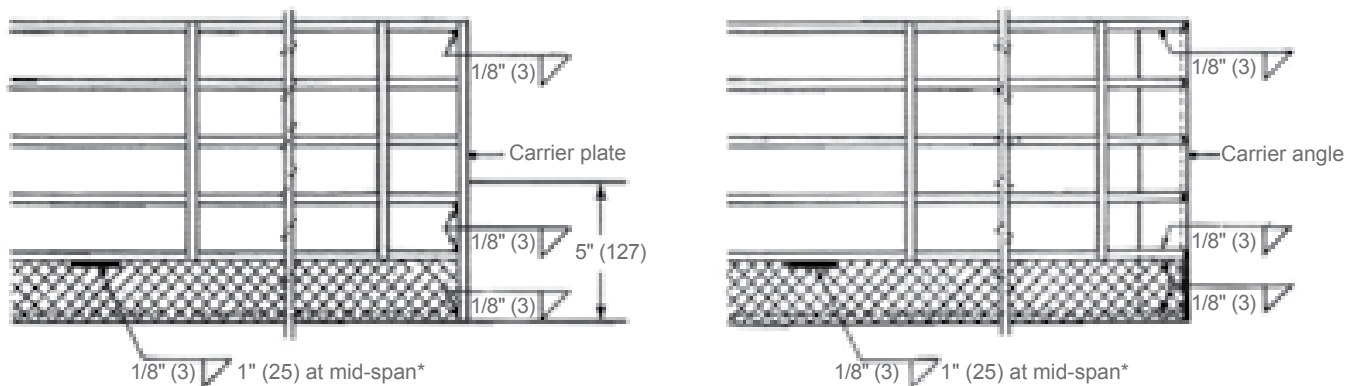
*Example shown occurs at a diagonal or circular cutout.

Banding



*Example shown occurs at a diagonal or circular cutout. Since the outside bearing bar becomes the edge bar of a panel width, side bands are never specified. Full depth banding will be provided unless otherwise specified.

Stair Treads



When carrier plates are used, the bearing bars and the nosing in the front five inches shall be welded to the carrier plate as shown.

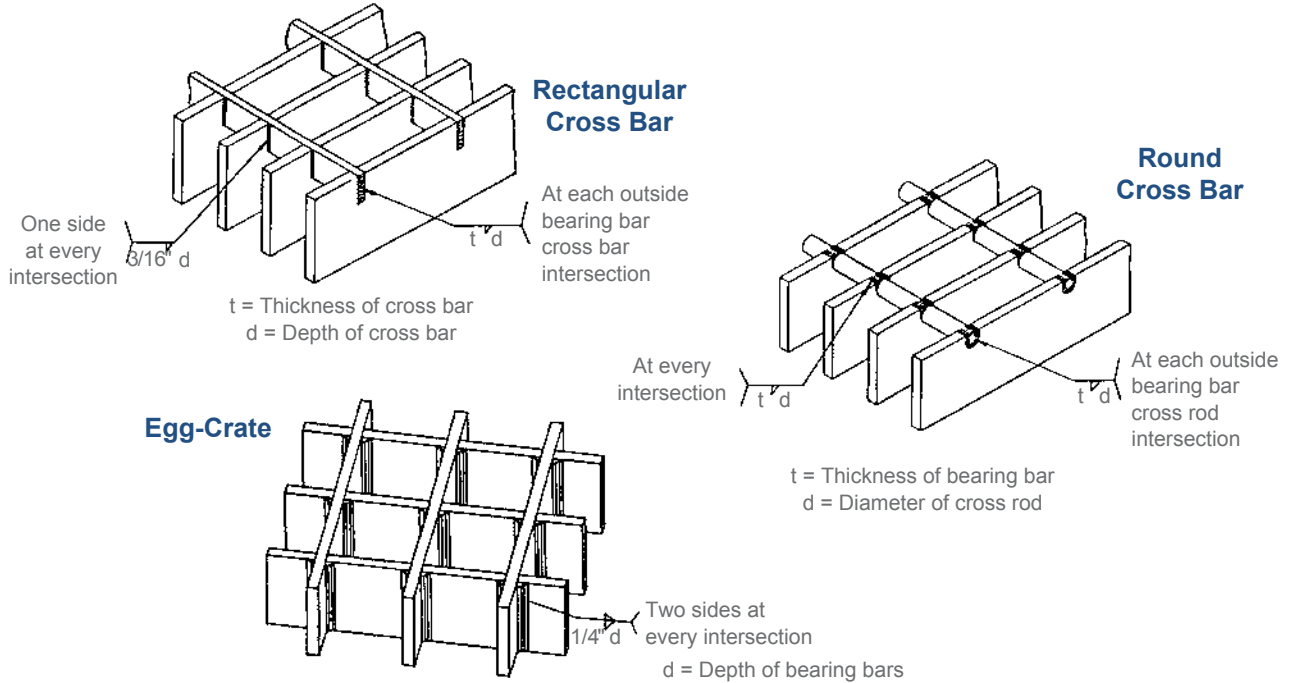
On treads over 9-3/4" (248) wide, weld end of center bar also.

*Treads spanning 4' (1.2 m) or more shall have two welds, located at the third points.

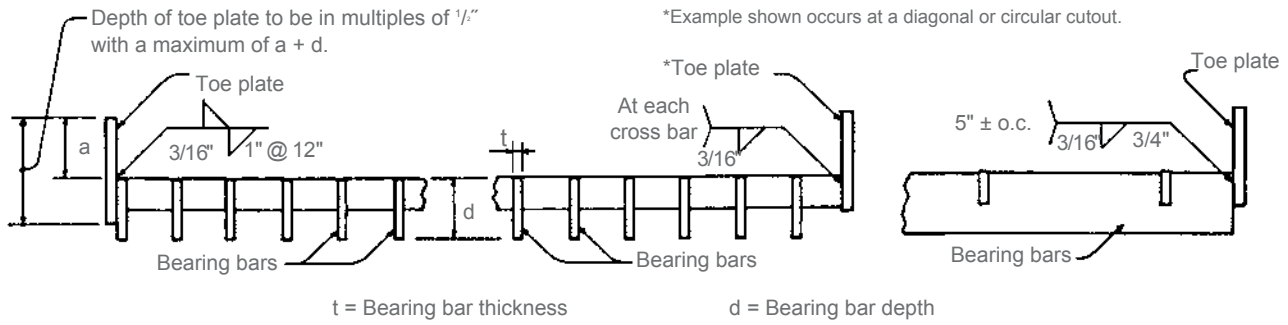
WELDING STANDARDS

Heavy Duty Steel Grating

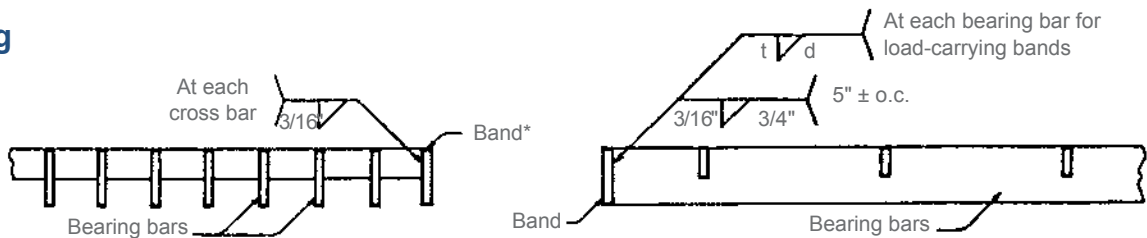
The welding standards shown here apply to those gratings and treads having a clear opening of not less than 5/8" between bearing bars and those galvanized as per ASTM A-123.



Toe Plates



Banding



For depth less than 2-1/2" weld one side at top. For depth 2-1/2" or greater, weld one side at top, opposite side at bottom; or weld exceeding one-half depth on one side only. Minimum thickness = 1/4" For standard banding, band bar is same depth as bearing bars.

GLOSSARY

ANCHOR

A device by which grating is attached to its supports.

BAND

A flat bar welded to the end of a grating panel, or along the line of a cutout, and extending neither above nor below the bearing bars.

Load-Carrying Band: A band used in a cutout to transfer the load from unsupported bearing bars in the cutout to the supported bearing bars.

Trim Band: A band which carries no load, but is used chiefly to improve appearance.

BEARING BARS

Load-carrying bars made from steel strip or slit sheet or from rolled or extruded aluminum and extending in the direction of the grating span.

BEARING BAR CENTERS

The distance center to center of the bearing bars.

CARRIERS

Flats or angles which are welded to the grating panel and nosing of a stair tread and are bolted to a stair stringer to support the tread.

CLEAR OPENING

The distance between faces of bearing bars in a rectangular grating, or between a bent connecting bar and a bearing bar in a riveted grating.

CROSS BARS

The connecting bars, made from steel strip, slit sheet, or rolled bars, or from rolled or extruded aluminum, which extend across the bearing bars, usually perpendicular to them. They may be bent into a corrugated or sinuous pattern and, where they intersect the bearing bars, are welded, forged or mechanically locked to them.

CROSS BAR CENTERS

The distance center to center of the cross bars.

CURVED CUT

A cutout following a curved pattern.

CUTOUT

An area of grating removed to clear an obstruction or to permit pipes, ducts, columns, etc. to pass through the grating.

ELECTRO-FORGED

A process combining hydraulic pressure and heat fusion to forge bearing bars and cross bars into a panel grid.

END DIMENSION

The distance from an end of grating to center of first cross rod (except welded Heavy Duty, where distance is from edge of grating to back of first cross rod).

FILLER BAR

A bar welded between two support bearing bars to close the spacing.

FINISH

The coating, usually painted or galvanized which is applied to the grating.

FLUSH TOP GRATING

A type of pressure-locked grating in which the cross bars and bearing bars are in the same plane relative to the top surface of the grating.

GRATING

An open grid assembly of metal bars, in which the bearing bars, running in one direction, are spaced by rigid attachment to cross bars running perpendicular to them or by bent connecting bars extending between them.

HINGED PANELS

Grating panels which are hinged to their supports or to other grating parts.

I-BAR

An extruded aluminum bearing bar having a cross sectional shape resembling the letter "I".

INTERLOCKING GRATING

Plank Grating – Snap Lock Plank grating with male and female sides that lock together.

GLOSSARY

INTERSECTION AREA

The point where the bearing bar and cross bar intersect or cross. In heavy duty grating with a rectangular cross bar; an intersection has four (4) sides.

LENGTH

The dimension of a grating panel measured parallel to the bearing bars. Also referred to as span.

MARKING

(Mark Number) Used to identify each unique piece.

NOSING

A special L-section member serving as the front or leading edge of a stair tread, or of grating at the head of a stair.

NOTCHED BAR

A cut out in the bearing bar. A burn out or punch.

PRESSURE-LOCKED GRATING

Pressure-locked means bearing bars are locked in position by cross bar deformation instead of riveting or welding.

Several proven methods are:

- Expansion of an extruded or drawn tubular cross bar
- Extruded cross bar deformed or swaged between bearing bars
- Press assembly of rectangular cross bars into slotted bearing bars.

RADIALLY CUT GRATING

Rectangular grating which is cut into panels shaped as annular segments, for use in circular or annular areas.

RETICULINE BAR

A sinuously bent connecting bar extending between two adjacent bearing bars, alternately contacting and being riveted to each.

RIVET CENTERS

The distance center to center of rivets along one bearing bar.

RIVETED GRATING

Grating composed of straight bearing bars and bent connecting bars, which are joined, at their contact points, by riveting.

SERRATED GRATING

Grating which has the top surfaces of the bearing bars or cross bars, or both, notched.

SKEW CUT

A fabricated diagonal cut.

SPAN OF GRATING

The distance between points of grating support, or the direction of this dimension. Also referred to as length.

STRAIGHT CUT

That portion of the cut edge or cutout of a grating which follows a straight line.

SWAGING

A method of altering the cross-sectional shape of a metal bar by pressure applied through dies.

TOE PLATE

A flat bar attached against the outer edge of a grating or rear edge of a tread, and projecting above the top surface of grating or tread to form a lip or curb.

TREAD

A panel of grating having carriers and nosing attached by welding, and designed specifically to serve as a stair tread.

WELDED GRATING

Grating in which the bearing bars and cross bars are joined at all of their intersections by either a resistance weld or conventional hand welding.

WIDTH

The overall dimension of a grating panel, measured perpendicular to the bearing bars, and in the same direction as the cross bars.

ORDERING INFORMATION

GRATING

1. Description:

a. Aluminum:

- Aluminum Flush Top SGF Series
- Aluminum Rectangular Bar SG Series
- Aluminum I-Bar SGI Series
- Aluminum Lite Bar
- Aluminum Dove Tail ADT Series
- Aluminum Riveted AR Series
- Aluminum Plank Series

b. Heavy Duty Steel:

- Heavy Duty Welded Steel W Series
- Heavy Duty Welded Steel WH Series
- Heavy Duty Riveted Steel R Series

c. Light Duty Steel:

- Welded Carbon Steel W Series
- Dove Tail Carbon Steel DT Series
- Swaged Carbon Steel SGCS Series
- Swaged Stainless Steel SGSS Series
- Riveted Carbon Steel R Series

2. Size and Type: (Bar grating)

- Bearing bar size
- Bearing bar spacing, center-to-center (face-to-face for riveted grating)
- Cross bar or rivet spacing, center-to-center

3. Surface:

- Plain
- Serrated
- Striated (I-Bar)
- Slip Resistant Surface

4. Size & Punch/Pattern: (Aluminum Plank grating)

- Plank size and type
- Unpunched
- Rectangular Punched
 - Upset Pattern (OGI)
 - Upset Pattern (WACO)
 - Plain Pattern
- Square Punched
 - Upset Pattern
 - Plain Pattern
- Round Punched
 - 1-3/16" Diameter In-Line Pattern
 - 1" Diameter Staggered Pattern
- ADA Diagonal Pattern

5. A Drawing Showing: (if layout is complicated)

- Area to be covered
- Span (direction of bearing bars)
- Method of support
- All critical dimensions
- Banding or toe plate

Note: Grating should always be held down by some positive means. (see page 98)

6. Type of Anchorage:

- Grating clamp
- Plank clip
- Saddle clip
- Anchor block
- Countersunk land (aluminum only)
- Tack weld
- Z clip
- Plank lug

7. Finish:

a. Aluminum:

- Mill Finish
- Cleaned & Etched
- A-31 1/2 hour Clear Anodizing
- A-41 1 hour Clear Anodizing

b. Carbon Steel:

- Mill Finish
- Manufacturer's Standard Black Paint
- Galvanized

c. Stainless Steel:

- Mill Finish
- Sandblast (used to help minimize the discoloration caused by welding Heavy Duty Stainless Steel grating)

STAIR TREADS

1. Description: See Grating, Item 1

2. Size and Type: (Bar grating) See Grating, Item 2

3. Surface: See Grating, Item 3

4. Size and Punch/Pattern: (Aluminum Plank grating):

- See Grating, Item 4
- Type "F"

5. Type of Nosing:

- Checker plate – standard for carbon steel treads
- Cast aluminum – an abrasive nosing available on aluminum or carbon steel
- Grooved – an extruded aluminum nosing standard on aluminum treads
- Slip-Not – a special nose for aluminum or carbon steel treads by request
- Stainless Steel

6. Dimensions:

- Width of tread, including nosing
- Span (length of bearing bars)
- End plate dimensions "A" and "B" (see page 35)

7. Number of Treads:

8. Finish: See Grating, Item 7

ALUMINUM GRATING FRAMES

1. Frame Size: (corresponds with grating size)

2. Description:

- Stock lengths
- A detailed drawing or accurate measurements for fabricated frames

3. Supplementary anchor straps & spacing, if required:

4. Finish:

- Mill Finish
- Powder Coated

5. Nail Holes and Location: if required

Architectural

METAL SOLUTIONS



OGi Architectural Metal Solutions
an Ohio Gratings Company

Ask about our Architectural Catalog!

www.ohiogratings.com



OHIO GRATINGS, INC

5299 Southway Street SW □ Canton, OH 44706

1-800-321-9800 □ Fax 330-477-7872 □ www.ohiogratings.com